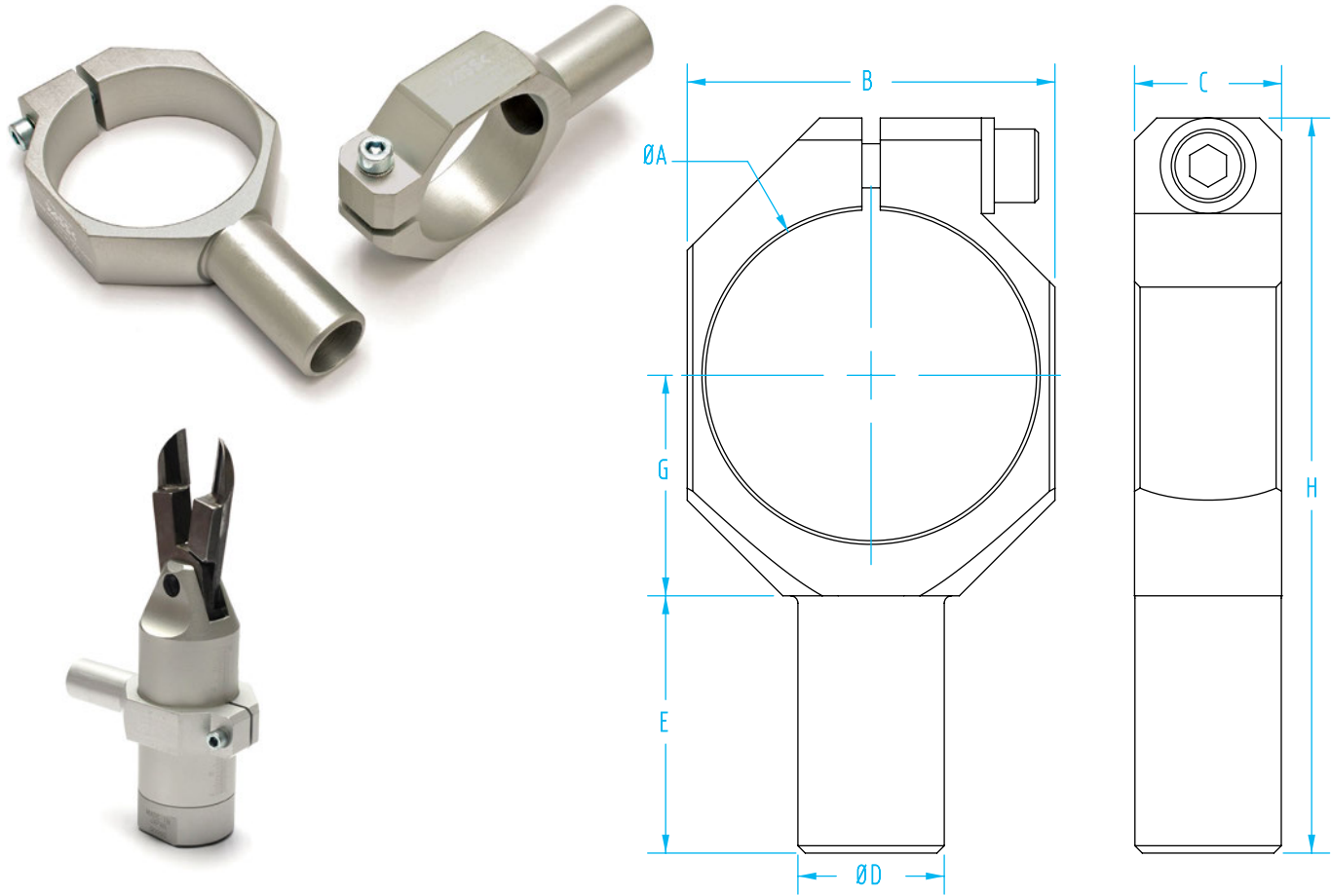


Nipper Mounting Brackets



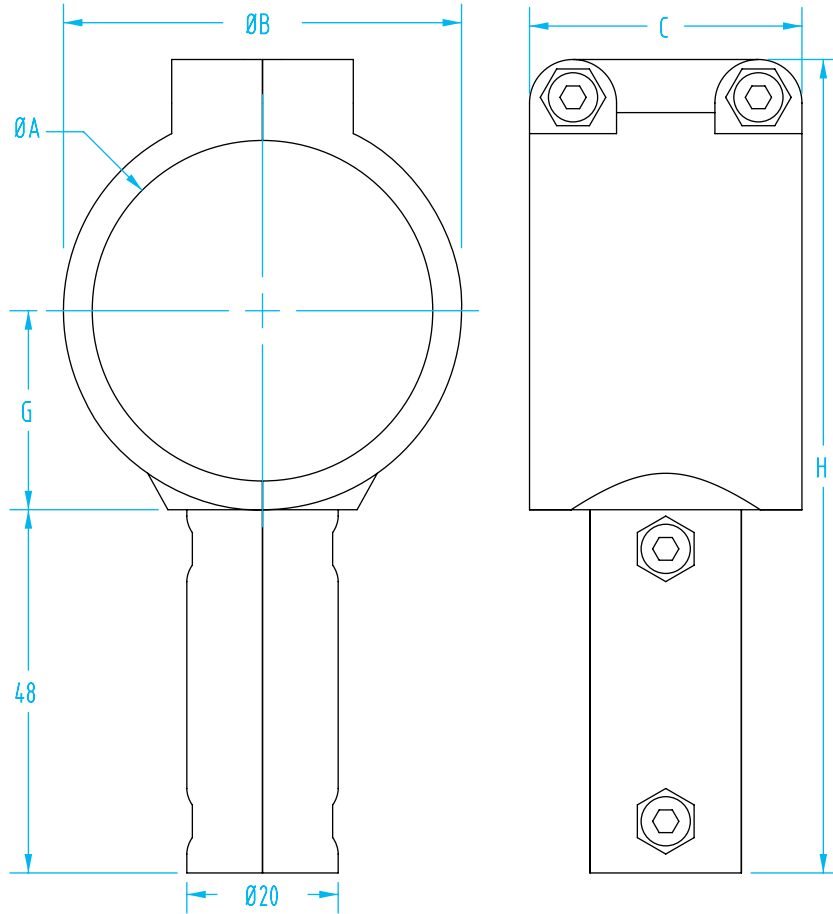
Nipper Mounting Brackets

Quick#	Part#	Price	>ASS< #	Use with Nipper	ØA	B	C	D	E	G	H	Wt.
3346	ASZ-KS10	\$44.63	1-640-31-00	size 10 bodies	36	40	15	14	25	22	76	56g
3347	ASZ-KS20	\$45.68	1-640-34-00	size 20 bodies	45	50	20	20	35	30	100	69g
3348	ASZ-KS30	\$49.88	1-640-37-00	size 30 bodies	56	60	20	20	40	35	115	79g
3349	ASZ-KS50	\$59.33	1-640-40-00	size 50 bodies	75	85	20	20	55	45	150	158g
6396	MFM-A11	\$71.76	-	size 50 bodies	75	83	40	30	48	41	138	308g

Application Examples



Nipper Mounting Brackets



These nipper mounting clamps are made of glass-filled nylon. They are very strong, yet lightweight and economical. Their Ø20mm stud make them compatible with many profile mounting clamps.

Nipper Mounting Brackets

Quick#	Part#	Price	Use with Nipper	ØA	B	C	G	H	Wt.
6382	MFP-A08	\$6.24	size 05 bodies	30	36	30	18	90	48g
6379	MFP-A05	\$6.76	size 10 bodies	36	43	32	21.5	96.5	54g
6380	MFP-A06	\$9.36	size 20 bodies	45	52.6	36	26.3	107.5	65g
6381	MFP-A07	\$10.19	size 30 bodies	56	64	40	32	118.5	82g

Made of GRP. Includes fasteners.

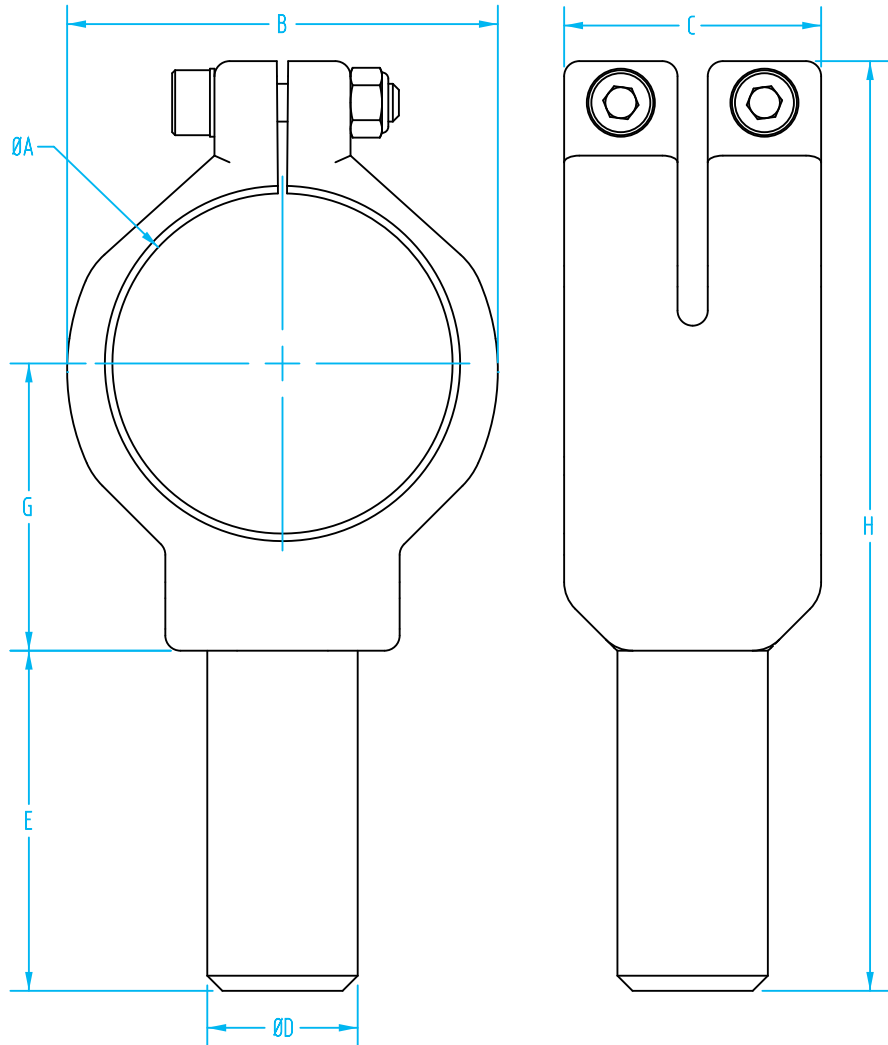
Application Examples



Nipper Mounting Brackets



Lightweight yet strong, the design makes these clamps optimal for use on EOAT. These 3D printed mounting brackets have two integrated clamps, which provides an extra layer of security.



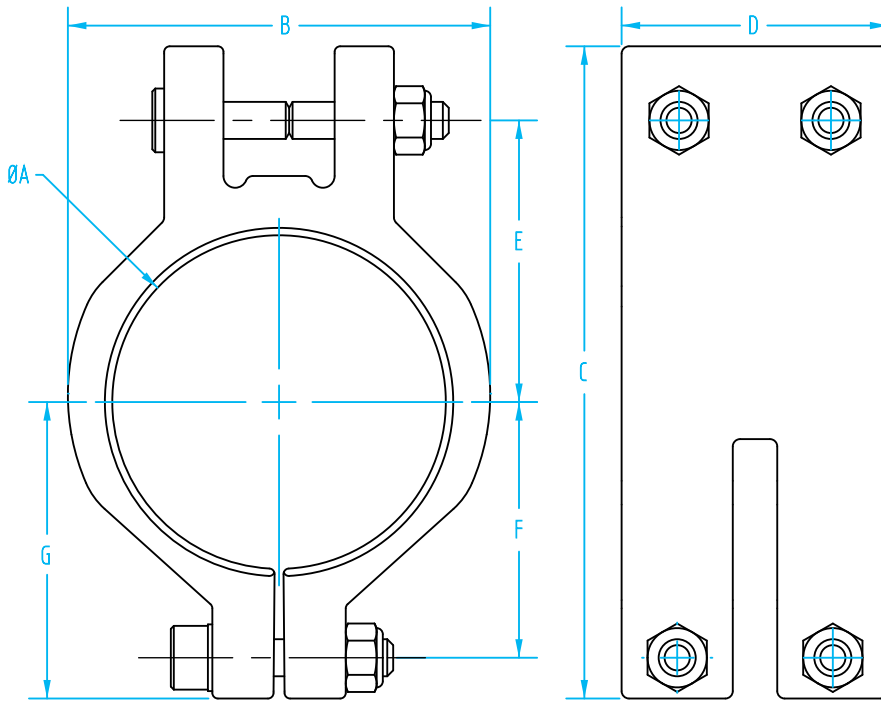
Nipper Mounting Brackets

NEW

Quick#	Part#	Price	Use with Nipper	ØA	B	C	ØD	E	G	H	Wt.
2058	GSN-NMCP-05	\$19.00	size 5 bodies	30	39	36	20	35	28	93	70g
2059	GSN-NMCP-10	\$22.50	size 10 bodies	36	47	36	20	40	33	108	78g
2060	GSN-NMCP-20	\$28.50	size 20 bodies	45	57	36	20	45	38	123	80g
2061	GSN-NMCP-30	\$34.50	size 30 bodies	56	72	36	20	50	43	141	90.4g

Includes fasteners.

Mounting Brackets for ZG Nipper Slides



These new clamps are made to integrate with Gimatic ZG Nipper Slides. After years of implementing 3D printing to enhance custom Degate Applications, these EMI nipper clamps are a part of our Engineers toolbox and now available to you. Like the clamps on page 834, these brackets have two integrated clamps, which provides an extra layer of security.

Mounting Brackets for ZG Nipper Slides

Quick#	Part#	Price	Use with Nipper	ØA	B	C	D	E	F	G	Wt.
2043	GSN-NMC-05	\$20.50	size 5 bodies	30	39	68	36	28	24.5	30	50g
2044	GSN-NMC-10	\$24.00	size 10 bodies	36	47	78	36	33	29.5	35	58g
2045	GSN-NMC-20	\$27.50	size 20 bodies	45	57	88	36	38	34.5	40	70g
2046	GSN-NMC-30	\$32.50	size 30 bodies	56	72	101	36	43	42.5	48	82g

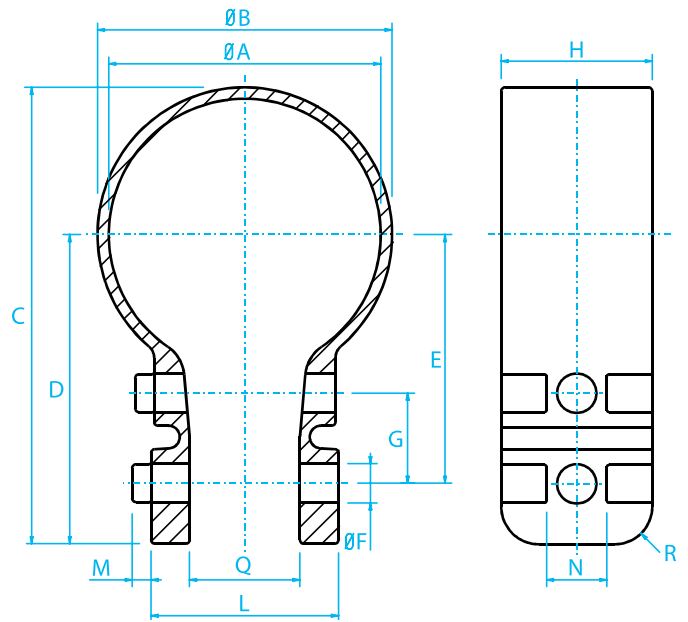
NEW

Includes fasteners.

Application Examples



Nipper Mounting Brackets

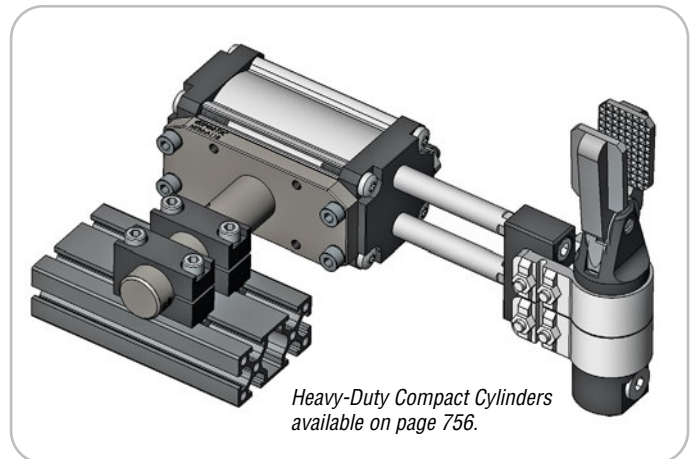


The top screw of these plated steel nipper mounting brackets securely holds the nipper, and the bottom screw securely holds any 15mm mounting hinge. If you loosen one screw to make an adjustment, the other screw maintains its secure clamp.

Nipper Mounting Brackets

Quick#	Part#	Price	Use with Nipper	ØA	ØB	C	D	E	ØF	G	H	L	M	N	Q	R	Wt.
6370	MFM-A30	\$17.37	size 5 bodies	30	33	55	38.5	30.5	5.2	12	20	25	2.5	8	15	5	69g
6371	MFM-A36	\$21.84	size 10 bodies	36	39	60.5	41	33	5.2	12	20	25	2.5	8	15	5	75g
6372	MFM-A45	\$23.61	size 20 bodies	45	48	70	46	38	5.2	12	20	25	2.5	8	15	5	80g
6373	MFM-A56	\$26.42	size 30 bodies	56	60	83.5	53.5	45.5	5.2	12	20	25	2.5	8	15	5	102g

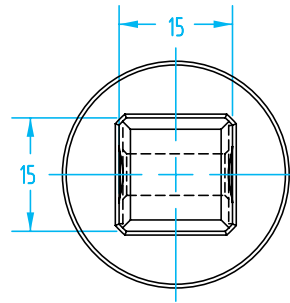
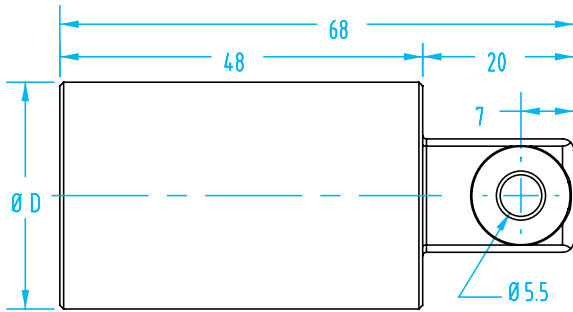
Includes fasteners.



Heavy-Duty Compact Cylinders available on page 756.

Nipper Mounting Posts

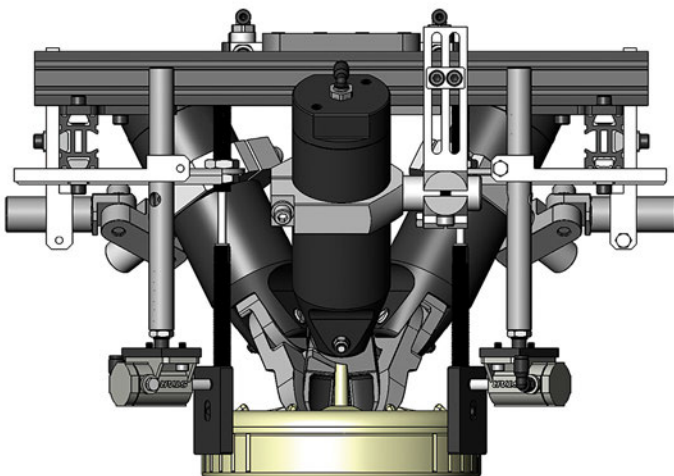
(Dimensioned drawing shown full scale)



Nipper Mounting Post

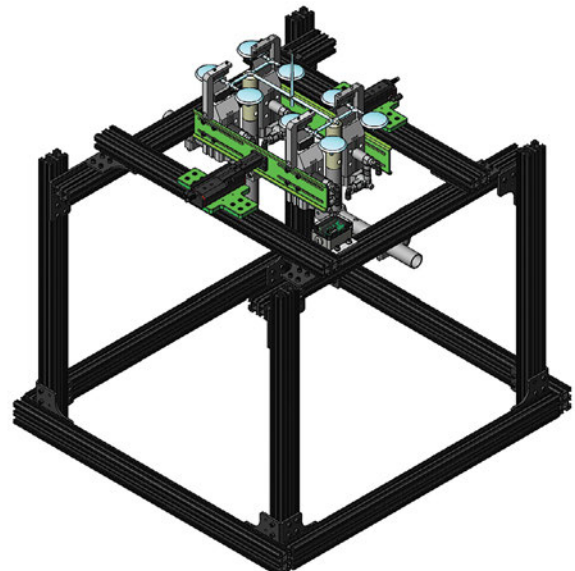
Quick#	Part#	Price	ØD	Wt.
6400	MFM-A17	\$30.06	20mm	56g
6401	MFM-A18	\$33.18	30mm	82g

Degating on the EOAT



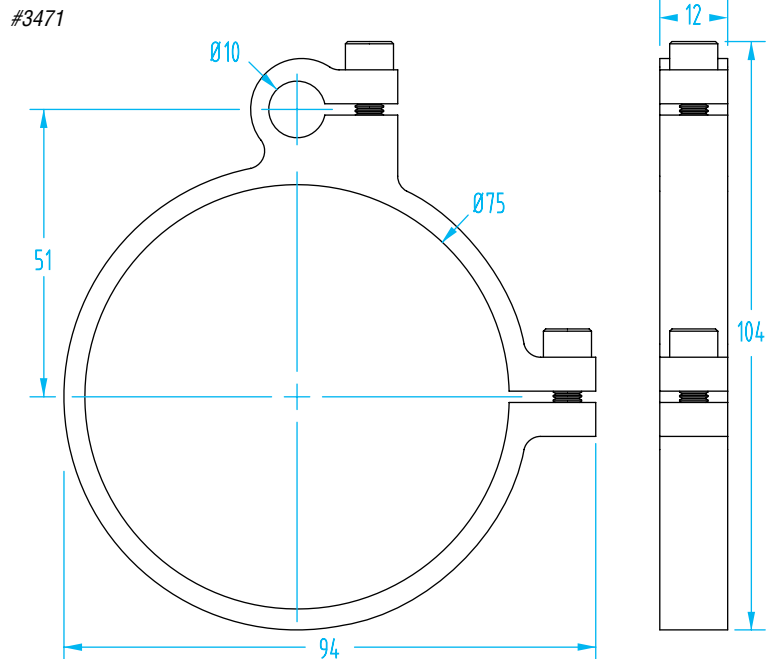
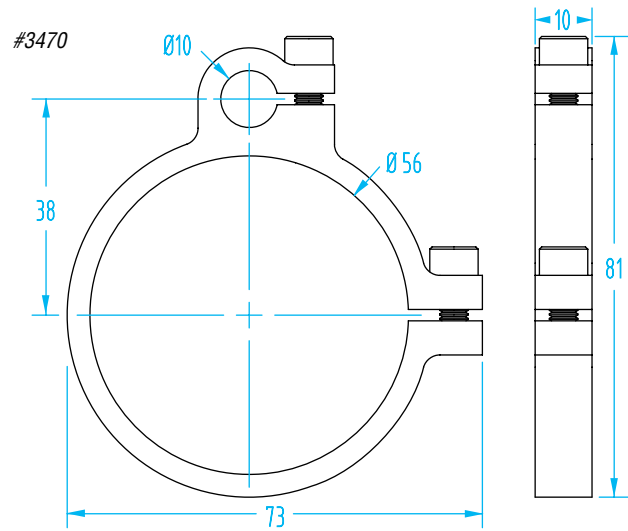
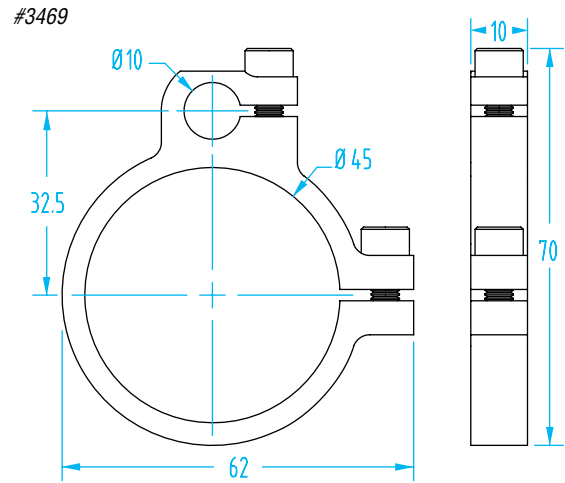
Call EMI for All Your Degating Applications

Stand-Alone Degating Stations



Nipper Mounting Clamps

(Dimensioned drawings shown 3/4 scale)



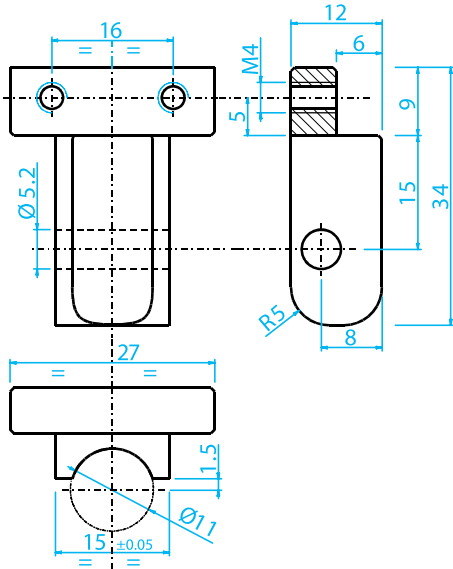
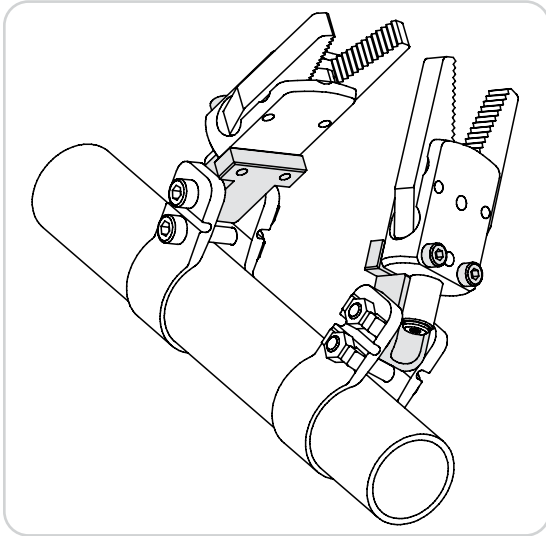
Nipper / Gripper Combination Clamp

Quick#	Part#	>ASS< #	Use with Nipper	Price	Wt.
3469	ASZ-KA20	1-640-13-00	size 20 bodies	\$67.73	32g
3470	ASZ-KA30	1-640-16-00	size 30 bodies	\$86.10	36g
3471	ASZ-KA50	1-640-19-00	size 50 bodies	\$92.40	42g



Gripper Adaptor Mount

(Dimensioned drawing shown full scale)



Mounting Bracket for Mini Grippers

Quick#	Part#	Price	Use with:	Wt.
6421	MFM-A57	\$37.75	Gimatic PB Grippers >ASS< GRZ-10-12 Grippers	25g

Includes fasteners.

See page 430 for Gimatic PB Grippers.

See page 476 for >ASS< GRZ-10-12 Grippers.

Call EMI for All Your Degating Applications

Robot Beam-Mounted Degating Stations

