

Size 10 Blades

Blade	Part#	Price	Style	Brand	Page	#2054 Blade Cover Compatibility	Nipper Body				Wt.
							Vessel 10	Gimatic 10	Swanstrom 10	OEM 10	
							Tip to Tip Opening (mm) *				
604	GSN-N10L-AP	\$100.00	Std. Angle	Vessel	865	✓	5.5	6	6	6	114g
1004	X-10-ST	\$75.67	Std. Angle	Swanstrom	865	✓	4.5	5	5	5	110g
5027	GN10LAP	\$102.00	Std. Angle	Gimatic	865	✓	5.5	5	4	5	116g
605	GSN-N10L-PF	\$115.00	Deep Angle	Vessel	865	✓	6	6.5	6.5	6.5	112g
1005	X-10-DA	\$89.43	Deep Angle	Swanstrom	866	✓	6.5	7	7	7	112g
5028	GN10LPF	\$134.00	Deep Angle	Gimatic	866	✓	5.5	6	6.5	6	114g
1006	X-10-LI	\$82.56	Inline	Swanstrom	866	✓	8	8.5	9	8.5	122g
1045	X-10-SI	\$89.43	Inline	Swanstrom	867	✓	5.5	6	6	6	117g
5026	GN10LAJ	\$144.00	Inline	Gimatic	866	✓	6	5.5	5.5	5.5	118g
1037	X-10-OS	\$427.00	Offset	Swanstrom	867	✗	8.5	8.5	7.5	8.5	135g
1038	X-10-OR	\$463.00	Offset	Swanstrom	867	✗	9	9	9.5	9	135g

Blade	Part#	Price	Style	Brand	Page	#2054 Blade Cover Compatibility	Nile 10 Nipper Body	Weight
							Tip to Tip Opening (mm) *	
1568	GSN-F3	\$61.50	Std. Angle	Nile	869	✓	5	62g
1569	GSN-FD3	\$66.50	Deep Angle	Nile	869	✓	5	62g

**Note: Tip-to-tip opening dimensions are approximate and can vary from blade to blade because blades are hand finished. Carbide and Custom blades are available, call EMI.*

Gimatic Blade Covers:

- Gimatic blades include protective blade covers, if you need additional covers they are listed here.
- Cover snaps into profile for storage, and ring can be used for zip-ties.



Gimatic Size 10 & 20 Blade Covers

Quick#	Part#	Price
6086	COJ12	\$2.34

Universal Blade Covers:

- Provides protection without compressing the nipper blade's spring.
- See reference chart above for compatibility.

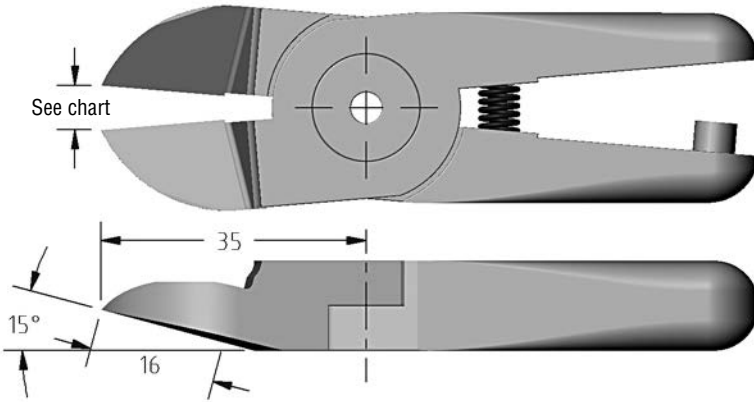


Universal Size 10 Blade Covers

Quick#	Part#	Price
2054	GSN-BC-10	\$6.90

Size 10 Blades

(Dimensioned drawings shown full scale)

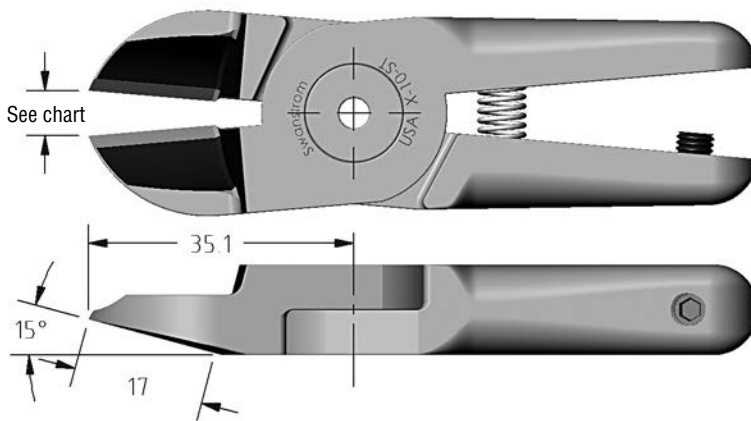


Vessel

Quick#	Part#	Price	Ø Sprue	Wt.
604	GSN-N10L-AP	\$100.00	3mm	114g
Replacement Spring				
1283	SPR-03	\$1.90		

Size 10 Nipper Body Tip to Tip Opening*

Vessel	Gimatic	Swanstrom	Nile	OEM
5.5mm	6mm	6mm	No	6mm

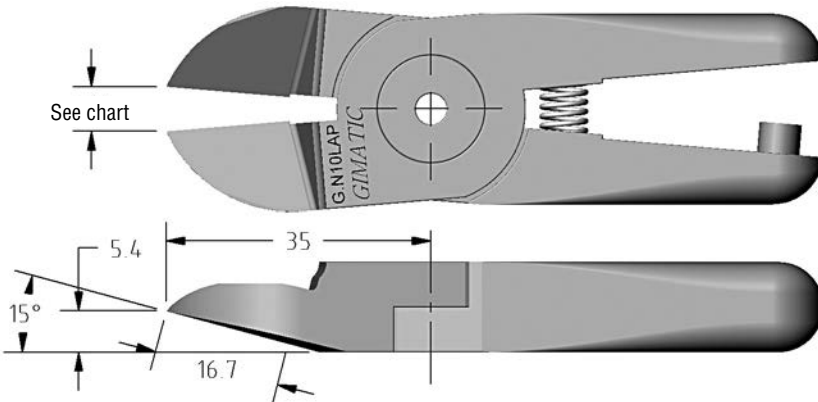


Swanstrom

Quick#	Part#	Price	Ø Sprue	Wt.
1004	X-10-ST	\$75.67	3mm	110g
Replacement Spring				
1099	GSN-SPR-029	\$1.10		

Size 10 Nipper Body Tip to Tip Opening*

Vessel	Gimatic	Swanstrom	Nile	OEM
4.5mm	5mm	5mm	No	5mm

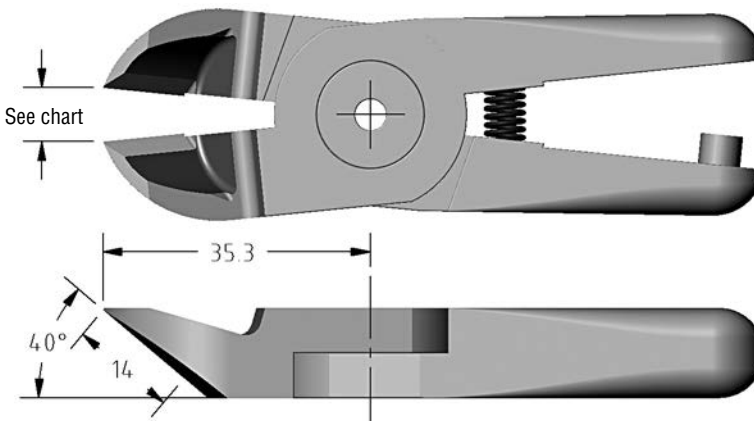


Gimatic

Quick#	Part#	Price	Ø Sprue	Wt.
5027	GN10LAP	\$102.00	3mm	116g
Replacement Spring				
1283	SPR-03	\$1.90		

Size 10 Nipper Body Tip to Tip Opening*

Vessel	Gimatic	Swanstrom	Nile	OEM
5.5mm	5mm	4mm	No	5mm



Vessel

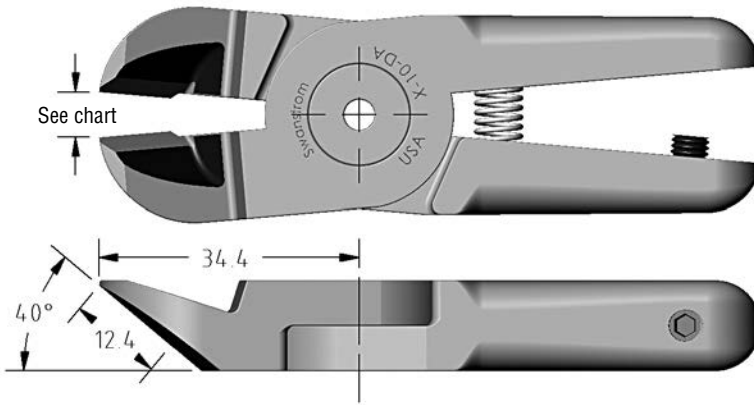
Quick#	Part#	Price	Ø Sprue	Wt.
605	GSN-N10L-PF	\$115.00	4mm	112g
Replacement Spring				
1283	SPR-03	\$1.90		

Size 10 Nipper Body Tip to Tip Opening*

Vessel	Gimatic	Swanstrom	Nile	OEM
6mm	6.5mm	6.5mm	No	6.5mm

Size 10 Blades

(Dimensioned drawings shown full scale)

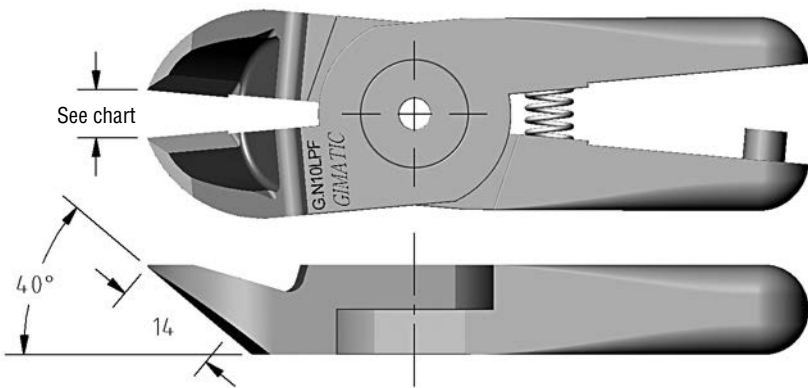


Swanstrom

Quick#	Part#	Price	Ø Sprue	Wt.
1005	X-10-DA	\$89.43	4mm	112g
Replacement Spring				
1099	GSN-SPR-029	\$1.10		

Size 10 Nipper Body Tip to Tip Opening*

Vessel	Gimatic	Swanstrom	Nile	OEM
6.5mm	7mm	7mm	No	7mm

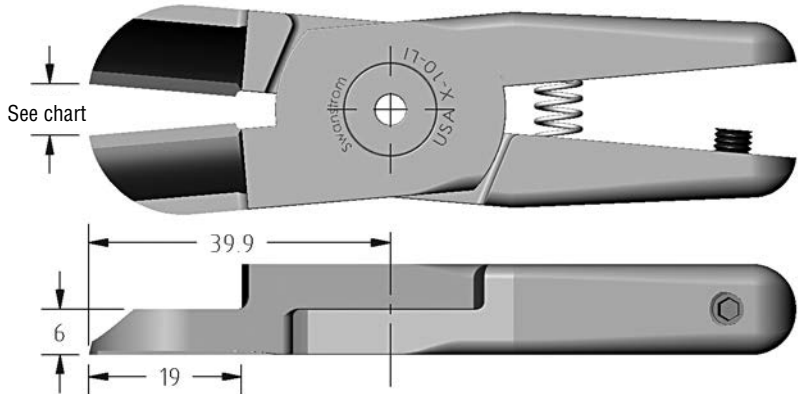


Gimatic

Quick#	Part#	Price	Ø Sprue	Wt.
5028	GN10LPF	\$134.00	4mm	114g
Replacement Spring				
1283	SPR-03	\$1.90		

Size 10 Nipper Body Tip to Tip Opening*

Vessel	Gimatic	Swanstrom	Nile	OEM
5.5mm	6mm	6.5mm	No	6mm

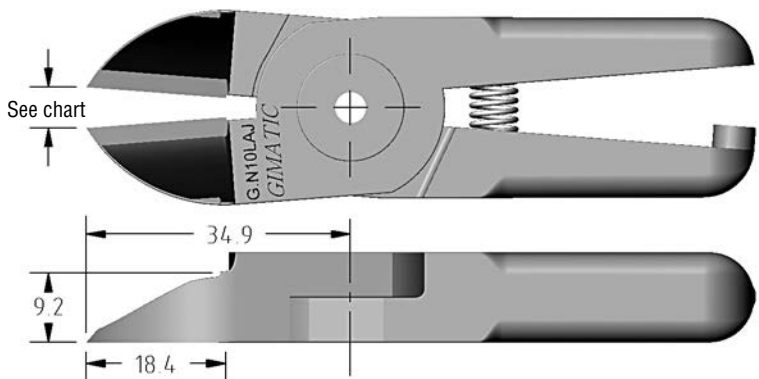


Swanstrom

Quick#	Part#	Price	Ø Sprue	Wt.
1006	X-10-LI	\$82.56	4mm	122g
Replacement Spring				
1099	GSN-SPR-029	\$1.10		

Size 10 Nipper Body Tip to Tip Opening*

Vessel	Gimatic	Swanstrom	Nile	OEM
8mm	8.5mm	9mm	No	8.5mm



Gimatic

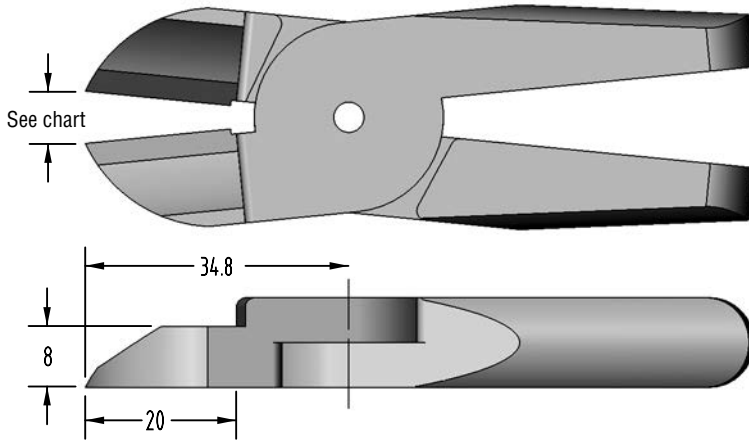
Quick#	Part#	Price	Ø Sprue	Wt.
5026	GN10LAJ	\$144.00	3mm	118g
Replacement Spring				
1283	SPR-03	\$1.90		

Size 10 Nipper Body Tip to Tip Opening*

Vessel	Gimatic	Swanstrom	Nile	OEM
6mm	5.5mm	5.5mm	No	5.5mm

Size 10 Blades

(Dimensioned drawings shown full scale)

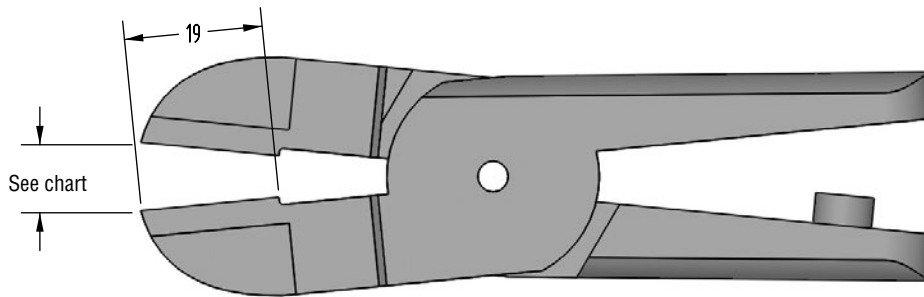


Swanstrom

Quick#	Part#	Price	Ø Sprue	Wt.
1045	X-10-SI	\$89.43	4mm	117g
Replacement Spring				
1099	GSN-SPR-029	\$1.10		

Size 10 Nipper Body Tip to Tip Opening*

Vessel	Gimatic	Swanstrom	Nile	OEM
5.5mm	6mm	6mm	No	6mm

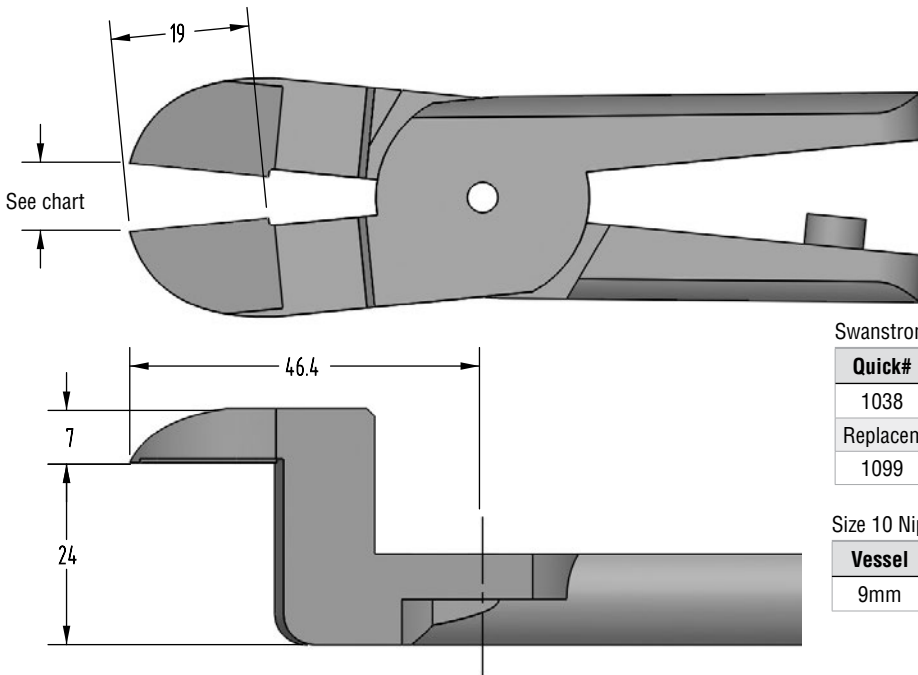


Swanstrom

Quick#	Part#	Price	Ø Sprue	Wt.
1037	X-10-OS	\$427.00	4mm	135g
Replacement Spring				
1099	GSN-SPR-029	\$1.10		

Size 10 Nipper Body Tip to Tip Opening*

Vessel	Gimatic	Swanstrom	Nile	OEM
8.5mm	8.5mm	7.5mm	No	8.5mm



Swanstrom

Quick#	Part#	Price	Ø Sprue	Wt.
1038	X-10-OR	\$463.00	4mm	135g
Replacement Spring				
1099	GSN-SPR-029	\$1.10		

Size 10 Nipper Body Tip to Tip Opening*

Vessel	Gimatic	Swanstrom	Nile	OEM
9mm	9mm	9.5mm	No	9mm

Size 10 High-Power Sprue Jaws (JGW & JGN) for Vessel, Gimatic & Swanstrom Bodies Only

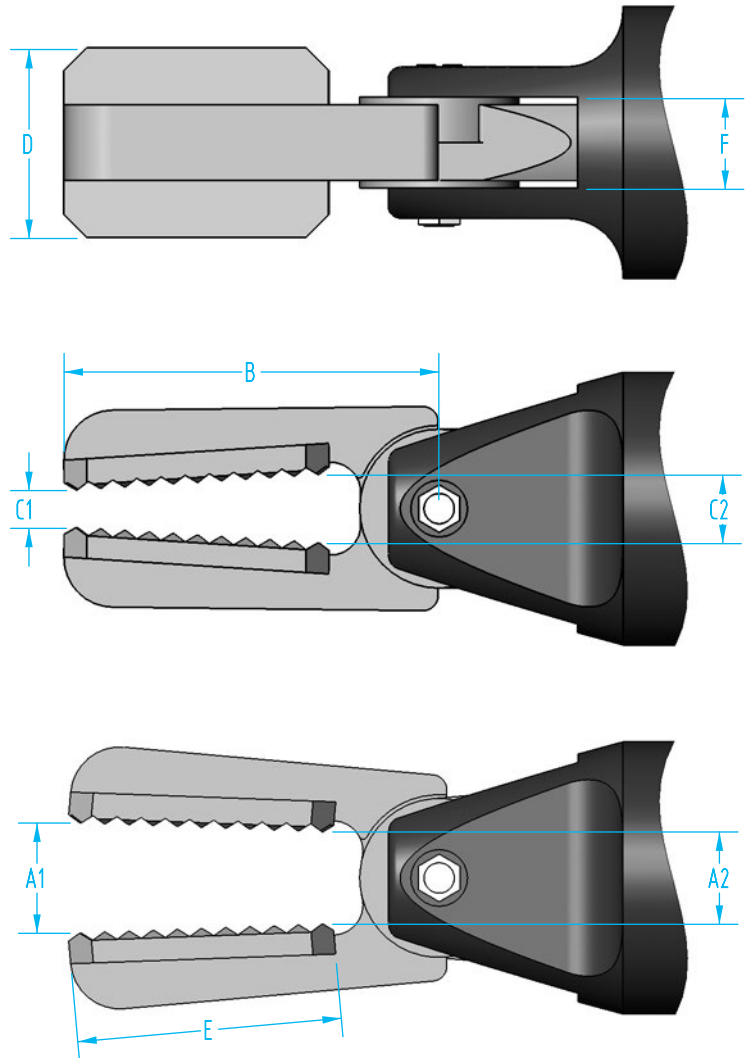
(Dimensioned drawings shown full scale)



#7371
Sprue Jaws with
Nitrile pads

High Power Sprue Jaws - dimensions

Quick#	Part#	A1	A2	B	C1	C2	D	E	F
6100	JGW-10S-A50	14.5	12	49.5	5	9	25	35	12
6125	JGN-10S-A52	9	6.5	49.5	0	3.5	25	35	12
7371	JGN-10N	9	7.5	49.5	0	2	16	24	12



Quick#	Part#	Price	Finger Style	Applicable Sprue Ø	Gripping Force ¹ when used with Gimatic nipper body ²	Weight
6100	JGW-10S-A50	\$108.00	wide	5–10mm	448.5 lbf (@1½" from pivot point)	175g
6125	JGN-10S-A52	\$108.00	narrow	5–10mm	448.5 lbf (@1½" from pivot point)	190g
7371	JGN-10N	\$248.00	narrow	5–10mm	448.5 lbf (@1½" from pivot point)	137g

¹ at 87 psi. ² can be used with any size 20 body—force may be less.

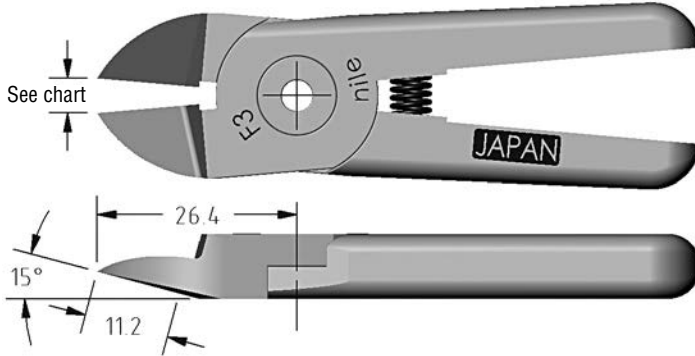
(Order nipper body separately, see page 827)

Size 10 Blades – Nile Bodies Only

(Dimensioned drawings shown full scale)

Blade	Part#	Price	Style	Brand	Page	#2054 Blade Cover Compatibility	Nile 10 Nipper Body		Weight
							Tip to Tip Opening (mm) *		
1568	GSN-F3	\$61.50	Std. Angle	Nile	869	✓	5		62g
1569	GSN-FD3	\$66.50	Deep Angle	Nile	869	✓	5		62g

*Note: Tip-to-tip opening dimensions are approximate and can vary from blade to blade because blades are hand finished.

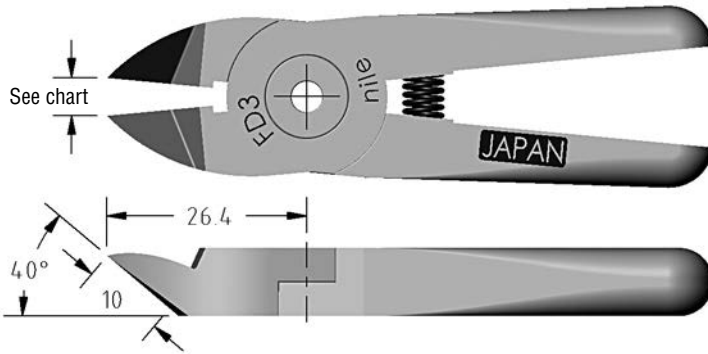


Nile

Quick#	Part#	Price	Ø Sprue	Wt.
1568	GSN-F3	\$61.50	3mm	62g
Replacement Spring				
5176	NILE-SP3	\$2.09		

Size 10 Nipper Body Tip to Tip Opening*

Vessel	Gimatic	Swanstrom	Nile	OEM
No	No	No	5mm	No



Nile

Quick#	Part#	Price	Ø Sprue	Wt.
1569	GSN-FD3	\$66.50	3mm	62g
Replacement Spring				
5176	NILE-SP3	\$2.09		

Size 10 Nipper Body Tip to Tip Opening*

Vessel	Gimatic	Swanstrom	Nile	OEM
No	No	No	5mm	No

Call EMI for All Your Degating Applications

