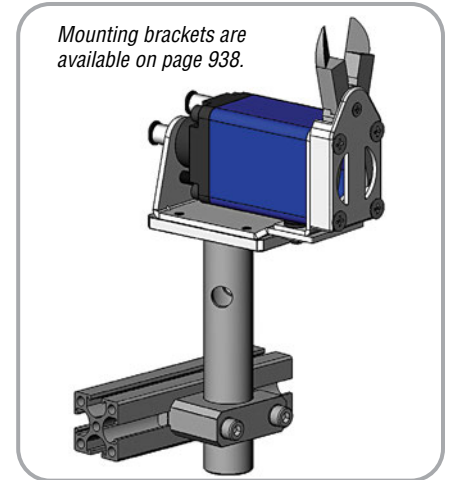


NY15 – Sliding Nipper

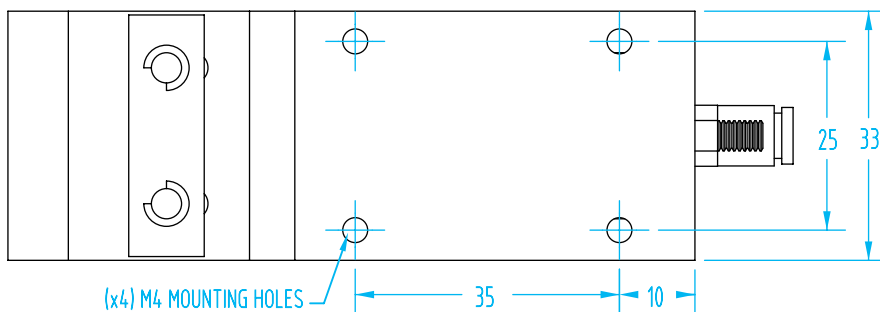
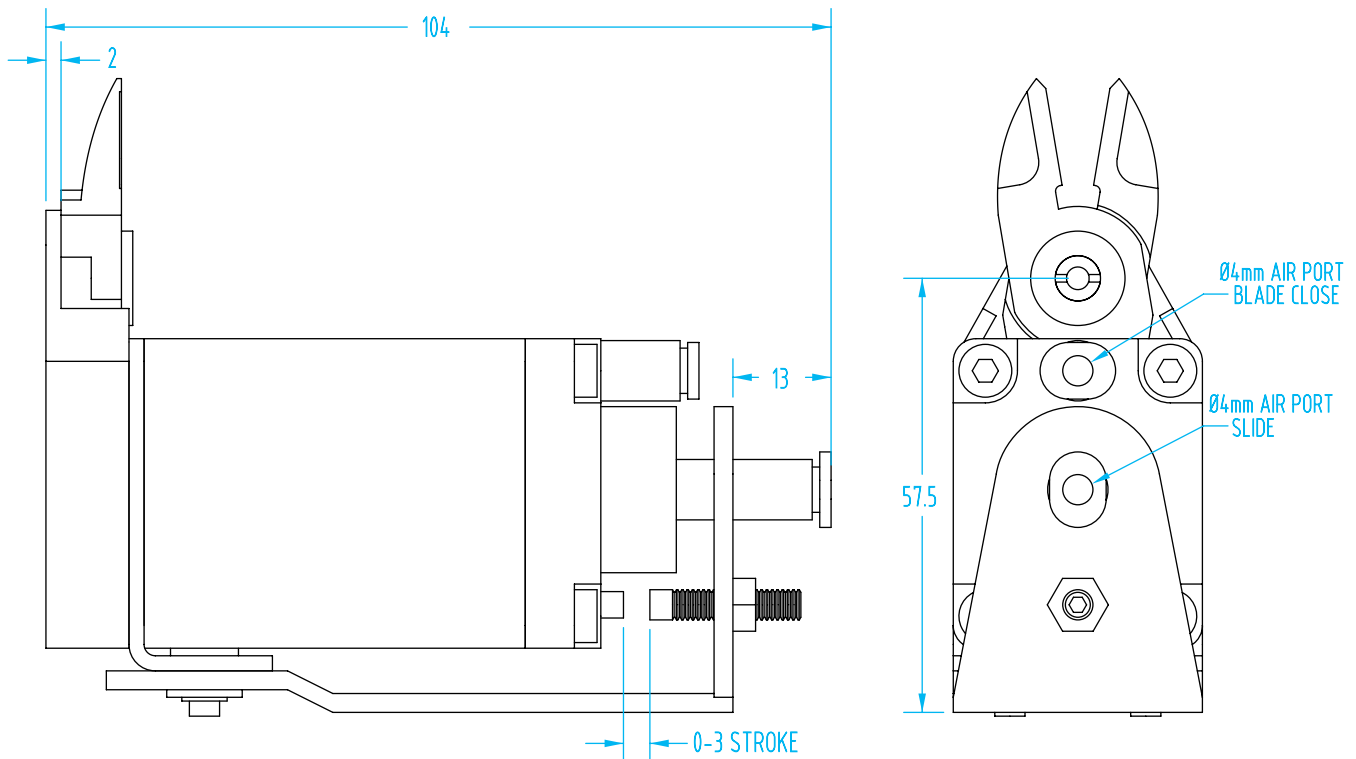
(Dimensioned drawings shown full scale)



NY15 - Sliding Nipper

| Quick# | Part# | Price | Reference Model | Weight | Air Cons. Cm ³ /stroke | Sup. Air Pres. | Slide Stroke (mm) | Max. Cutting Cap. Ø (mm) | |
|--------|-------------|----------|-----------------|--------|-----------------------------------|----------------|-------------------|--------------------------|--------------|
| | | | | | | | | Soft Plastic | Hard Plastic |
| 624 | GSN-NY15-4 | \$365.00 | GT-NY15-4 | 319g | 136 | 58-73psi | Pull 0-3 | 4.0 | 2.6 |
| 690 | GSN-NY15R-4 | \$365.00 | GT-NY15R-4 | 319g | 136 | 58-73psi | Push 0-3 | 4.0 | 2.6 |

Note: R=Push All fittings supplied.



Order Blades Separately
See page 934-935.