

Sensors

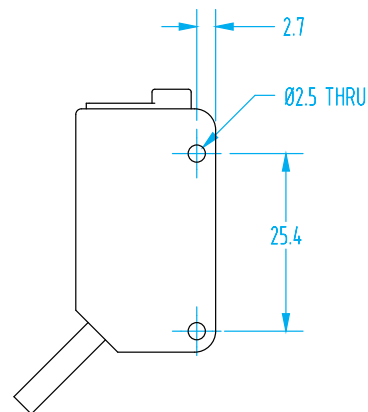
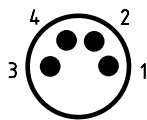
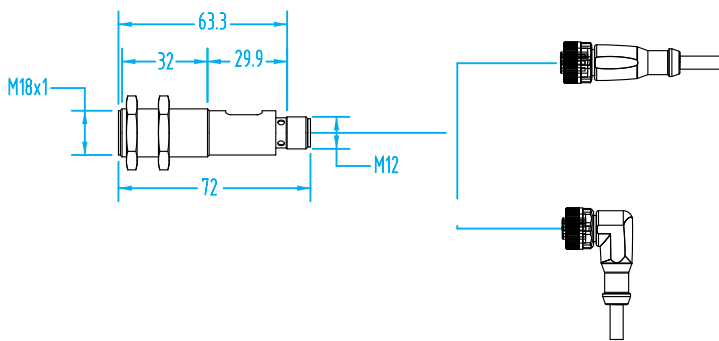
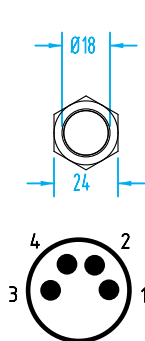
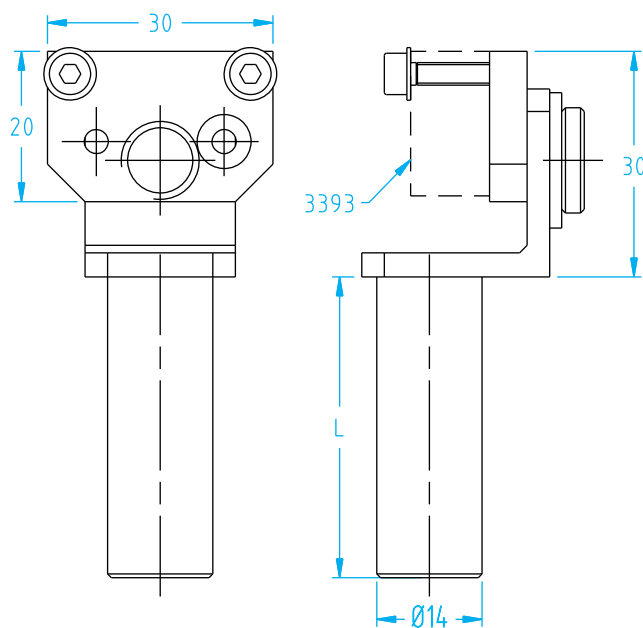


Photo Sensor - 4 pin M8 (no reflector required)

Quick#	Part#	Price	Voltage	Output	Distance	Signal	Cable	Wt.
3393	LES-6-PNP	\$116.00	10-24V DC	100mA	5-300mm	PNP	M8 Connector	15g
3491	LES-6-NPN	\$116.00	10-24V DC	100mA	5-300mm	NPN	M8 Connector	15g

Gripper Arm for LES-6

Quick#	Part#	Price	ØA	Length	Wt.
3394	GGE14-40-F	\$36.23	14	40	32g
3395	GGE14-80-F	\$37.28	14	80	40g
3396	GGE14-120-F	\$38.33	14	120	48g



M18 Diffuse Reflection Photo Sensor (no reflector required)

Quick#	Part#	Price	Voltage	Output	Distance	Signal	Sensitivity	Cable	Wt.
3397	LRS-18	\$98.00	10-36V DC	200mA	20-800mm	PNP	Light or Dark	#3398, #3399	59g

Connector Cable for LRS-18

Quick#	Part#	Price	Connection	Cable	Wt.
3398	KG18	\$12.75	Straight	5m	135g
3399	KW18	\$12.75	Elbow 90°	5m	130g