

Z Slides – Pneumatic Slides

- Bore: 2x8mm, 2x16 or 2x20mm
- Stroke: 25mm, 50mm, 100mm, 150mm and 200mm
- With or without shock-absorbers.
- Double acting.
- Very high-performance / cost ratio.
- See Sensor Reference Guide on page 1007 for a full list of compatible sensors.



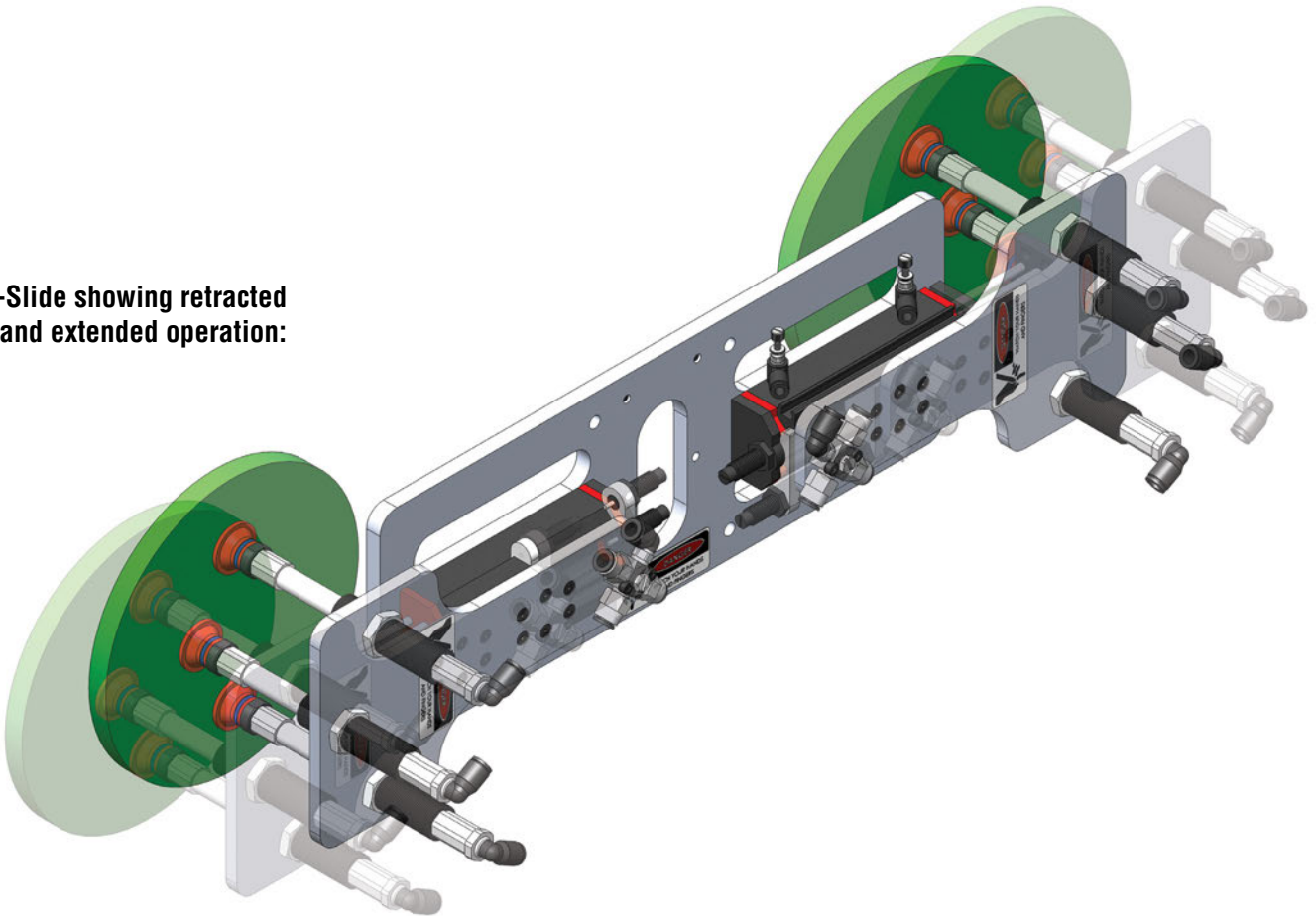
Quick#	Part#	Price	Piston bore	Stroke	Extension force*	Retraction force*	Style
6295	Z-0825	\$303.00	08mm	25mm	11.2 lbf	8.3 lbf	Includes Rubber Bumper
6296	Z-0825-D	\$508.00					Includes Shock-Absorber
6297	Z-0825-DS	\$369.00					Customer Supplied Shock-Absorber
6298	Z-0850	\$328.00	08mm	50mm	11.2 lbf	8.3 lbf	Includes Rubber Bumper
6299	Z-0850-D	\$532.00					Includes Shock-Absorber
6300	Z-0850-DS	\$393.00					Customer Supplied Shock-Absorber
6307	Z-1650	\$445.00	16mm	50mm	44.9 lbf	38.2 lbf	Includes Rubber Bumper
6308	Z-1650-D	\$679.00					Includes Shock-Absorber
6309	Z-1650-DS	\$526.00					Customer Supplied Shock-Absorber
6301	Z-16100	\$466.00	16mm	100mm	44.9 lbf	38.2 lbf	Includes Rubber Bumper
6302	Z-16100-D	\$701.00					Includes Shock-Absorber
6303	Z-16100-DS	\$548.00					Customer Supplied Shock-Absorber
6304	Z-16150	\$492.00	16mm	150mm	44.9 lbf	38.2 lbf	Includes Rubber Bumper
6305	Z-16150-D	\$726.00					Includes Shock-Absorber
6306	Z-16150-DS	\$573.00					Customer Supplied Shock-Absorber
6314	Z-2050-D	\$905.00	20mm	50mm	74.2 lbf	67.4 lbf	Includes Shock-Absorber
6315	Z-2050-DS	\$675.00					Customer Supplied Shock-Absorber
6310	Z-20100-D	\$945.00	20mm	100mm	74.2 lbf	67.4 lbf	Includes Shock-Absorber
6311	Z-20100-DS	\$716.00					Customer Supplied Shock-Absorber
6312	Z-20150-D	\$967.00	20mm	150mm	74.2 lbf	67.4 lbf	Includes Shock-Absorber
6313	Z-20150-DS	\$737.00					Customer Supplied Shock-Absorber
6476	Z-20200-D	\$1,002.00	20mm	200mm	74.2 lbf	67.4 lbf	Includes Shock-Absorber
6565	Z-20200-DS	\$636.00					Customer Supplied Shock-Absorber

*Note: Force at 87psi (6 bar)

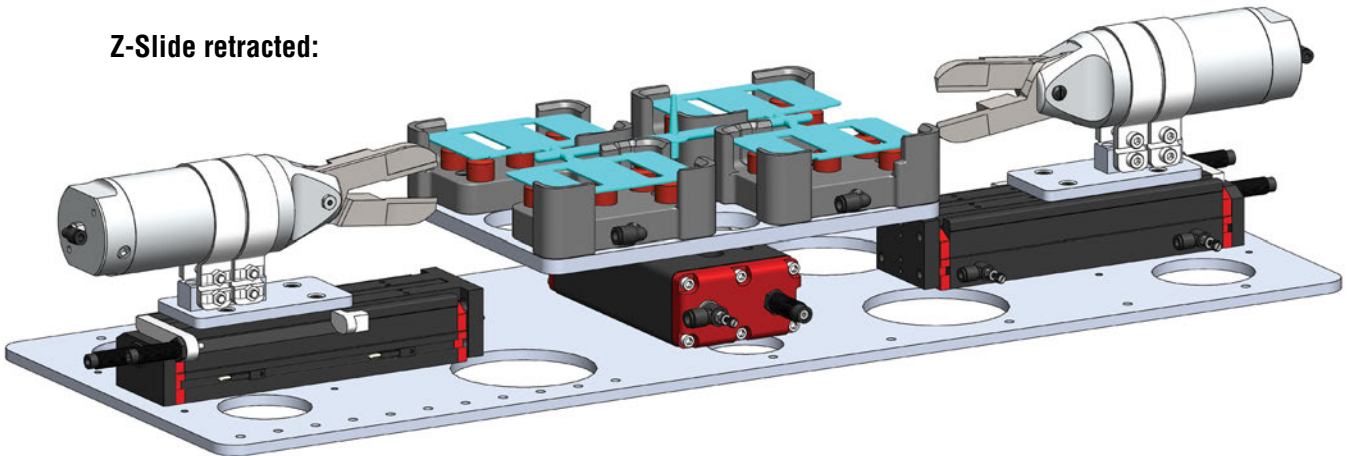
Additional information can be found online: www.EMlcorp.com

Pneumatic Slides – Z

Z-Slide showing retracted and extended operation:



Z-Slide retracted:



Z-Slide extended:

