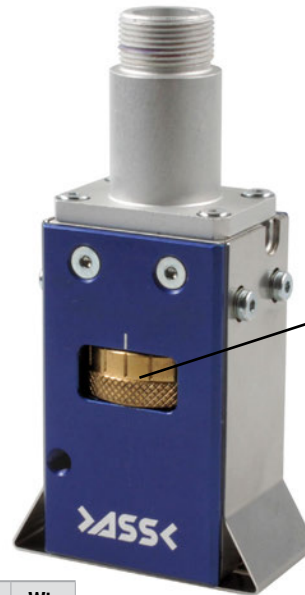


>ASS< Needle Grippers

- Features 18 needles.
- Needle depth is adjustable between 0–2mm in 0.025mm increments.
- Single acting
- Air blow-off port
- Optional sensor for needle position.
- The NGR-16-18EZ has thinner needles (0.7mm) and includes a cover for thin and limp materials.



Needle depth is adjustable between 0–2mm in 0.025mm increments.

NGR-16-18EZ shown with cover.

Adjustable Needle Gripper

Quick#	Part#	>ASS< #	Price	Needle Depth	Air Connection	Wt.
3767	NGR-16-18EZ	1-460-19-00	\$542.85	(18x) 0–1.75mm*	M5	255g
Replacement Needles for 18 pin - Sold with 2 locators, each with 9 needles						
3825	NEEDLE-NGR-16	1-460-18-20	\$194.78			
Optional Sensor						
3809	MFS-T2-3-7	1-808-30-00	\$75.21	C-Slot with 3m Lead & M8 Connection		

*Note: Measurement with additional cover attached.

- Suitable for textile, cloth, carpet or any other material that can be penetrated.
- Through hole allows placement of cloth onto locating pins.
- New lightweight selective laser sintering version 30% lighter than aluminum body.
- Independent needle positioning and tandem stroke adjustment for fine tuning.
- Each cylinder is double acting.



Through Hole Needle Gripper

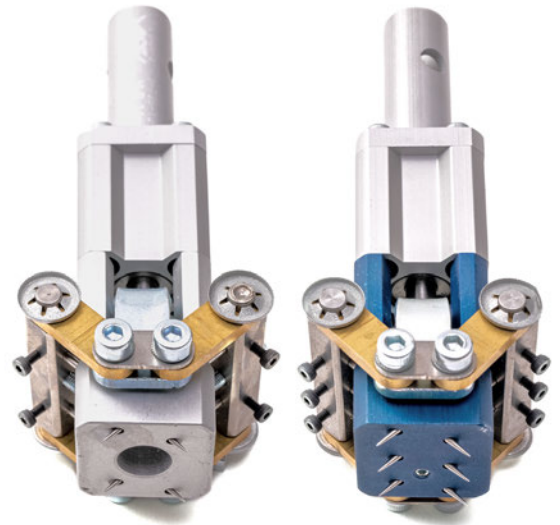
Quick#	Part#	>ASS< #	Price	Body Style	Needle Depth	Air Connection	Wt.
3542	NGR-12-D	1-460-09-00	\$430.50	Aluminum	0–2.5mm	M5	249.2g
3540	NGR-12-DL	1-460-12-00	\$601.13	Laser Sintered	0–2.5mm	M5	160g
50mm Replacement Needles - (1 piece)							
3445	NEEDLE-50	1-460-03-06	\$5.25				

Visit www.EMlcorp.com for dimensional drawings

>ASS< Needle Grippers

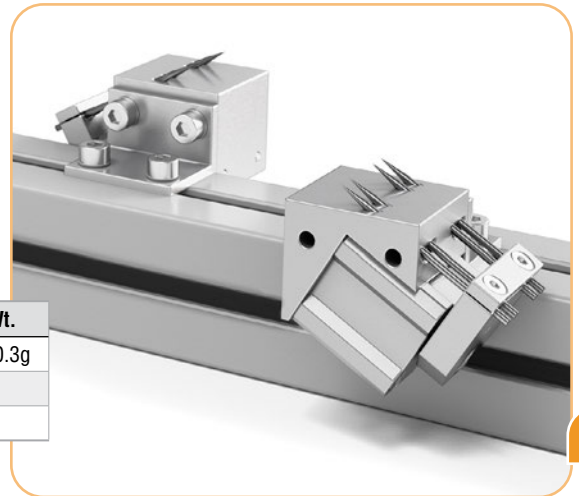
- #3485 features 4 needles while the #3484 has 6 needles for a secure grip of fabrics.
- Needles penetrate over cross and stretch the fabric for a more secure grip.
- Independent needle positioning and stroke adjustment.
- Double acting

Quick#	Part#	>ASS< #	Price	Needle Depth	Air Connection	Wt.
3485	NGR12	1-460-06-00	\$420.00	0-4mm	M5	185g
3484	NGR-12-6	1-460-08-00	\$582.75	0-4mm	M5	190g
37mm Replacement Needles - (1 piece)						
3408	NEEDLE-37	1-460-06-09	\$5.25			



- Features 4 needles, suitable for textile, cloth, carpet or any other material that can be penetrated.
- Designed for installation on X-Profile.
- When used in pairs, the grippers should be facing opposite directions.
- Mounting bracket included.
- Double acting (each unit)

Quick#	Part#	>ASS< #	Price	Needle Depth	Air Connection	Wt.
3535	NGR-X-16-10	1-460-03-00	\$225.75	0-5mm	M5	150.3g
50mm Replacement Needles - (1 piece)						
3445	NEEDLE-50	1-460-03-06	\$5.25			



- Suitable for textile, cloth, carpet or any other material that can be penetrated.
- Able to combine many units into a series.
- 6 PTFE coated needles are stepless adjustable and working position can be monitored with optional sensors.
- Double acting
- Clampable mounting bracket included, remove for direct plate mount.

Quick#	Part#	>ASS< #	Price	Needle Depth	Air Connection	Wt.
3768	NGR-12-6-DS-A	1-460-70-00	\$582.23	0-5mm	M5	241g
Optional Sensor						
3809	MFS-T2-3-7	1-808-30-00	\$75.21	C-Slot with 3m Lead & M8 Connection		



Visit www.EMICorp.com for dimensional drawings