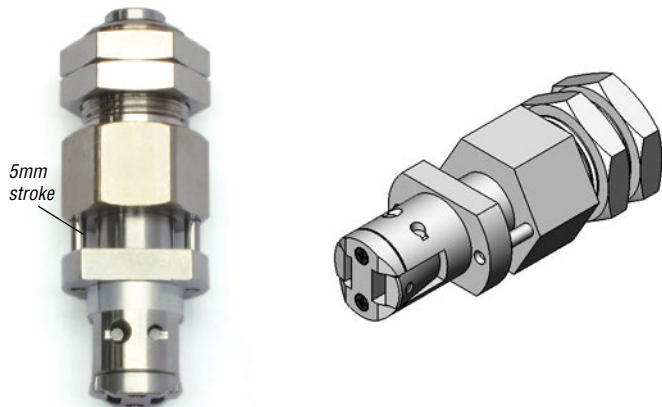
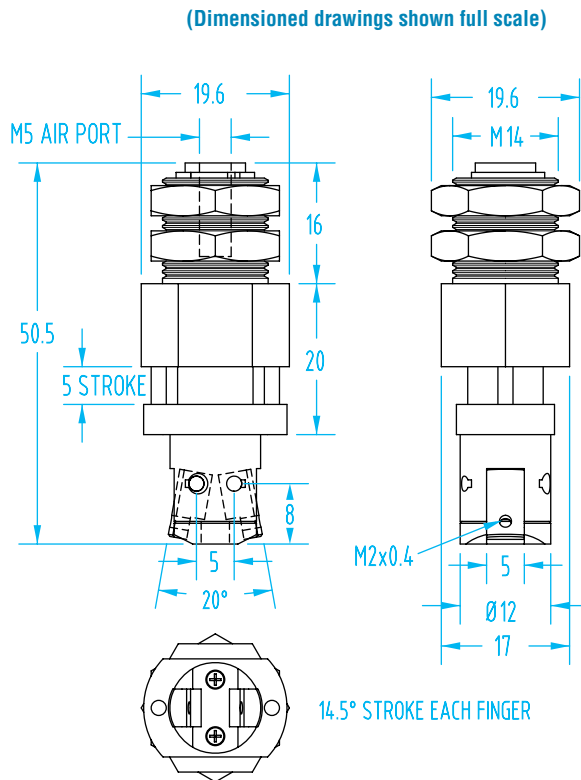


Miniature Grippers – Size 8

- Stainless steel
- Single acting, normally open.
- Finger blanks available.
- Operating pressure range: 29–102 psi.

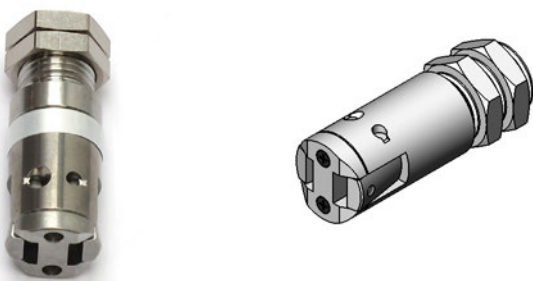


#1834
Size: 08
Panel Mount
Suspension

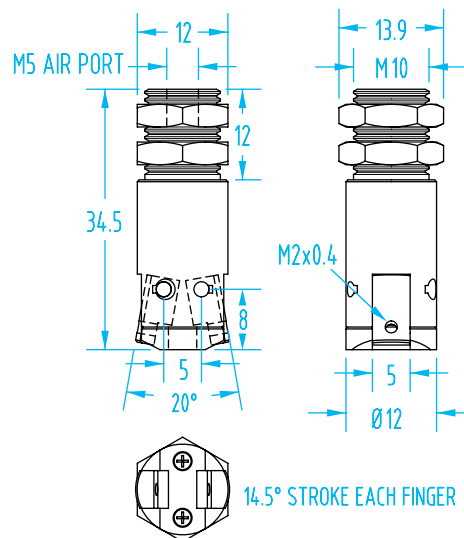


Quick#	Part#	Size	Style	Stroke	Grip Force*	Wt.	Price
1834	GSG-08A-SPMF	8	Panel Mount	5mm	0.71 lbf-in	58g	\$109.09

* Force when compressed air is supplied at 72.5psi.



#1832
Size: 08
Panel Mount

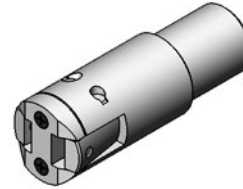
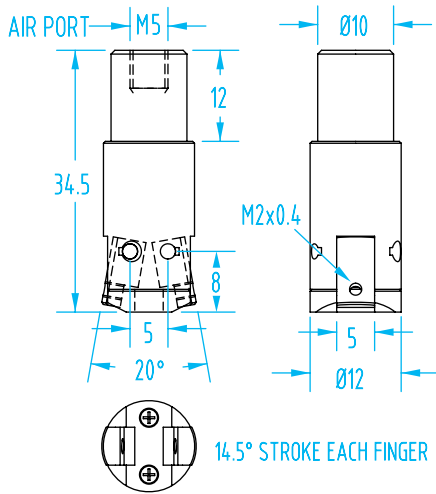


Quick#	Part#	Size	Style	Stroke	Grip Force*	Wt.	Price
1832	GSG-08A-SPM	8	Panel Mount	-	0.71 lbf-in	22g	\$79.09

* Force when compressed air is supplied at 72.5psi.

Miniature Grippers – Size 8

(Dimensioned drawings shown full scale)

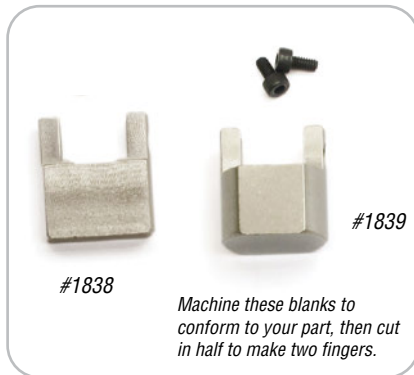


#1831
Size: 08
Shaft Style

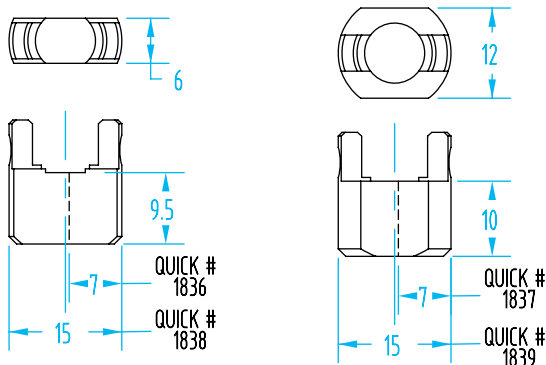
Quick#	Part#	Size	Style	Stroke	Grip Force*	Wt.	Price
1831	GSG-08A-S	8	Shaft	-	0.71 lbf-in	20g	\$75.45

* Force when compressed air is supplied at 72.5psi.

Miniature Finger Blanks - Size 8



Shown with #1836 finger blanks



Miniature Finger Blanks - Size 08 Grippers

Quick#	Part#	Style	Size	Wt.	Price
1836	GSG-08A-FB06	Split	6x15	8g	\$22.73
1837	GSG-08A-FB16	Split	12x15	14g	\$22.73
1838	GSG-08A-FS06	One-Piece	6x15	8g	\$21.82
1839	GSG-08A-FS16	One-Piece	12x15	14g	\$21.82

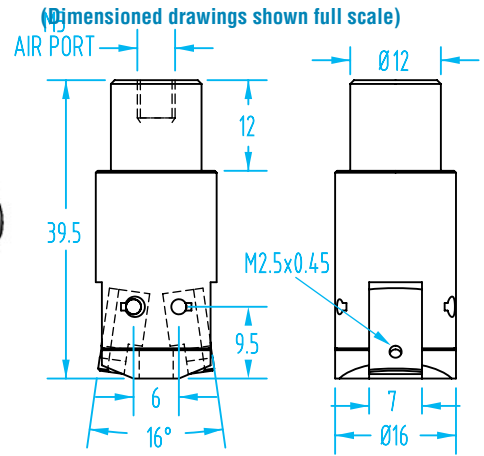
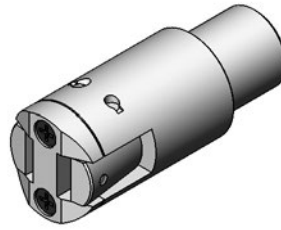
Mounting screws included.

Miniature Grippers – Size 11

- Stainless steel
- Single acting, normally open.
- Finger blanks available.
- Operating pressure range: 29–102 psi.



#727
Size: 11
Shaft Style

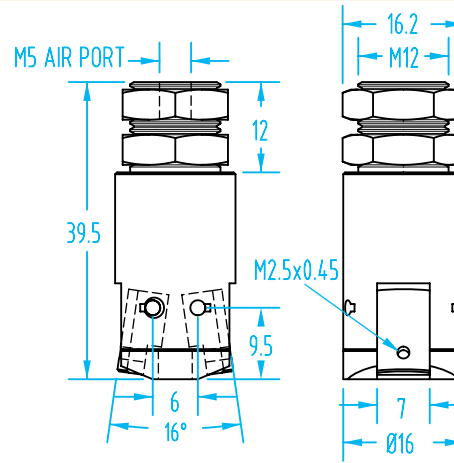
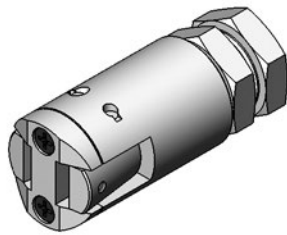


Quick#	Part#	Size	Style	Grip Force*	Wt.	Price
727	GSG-11A-S	11	Shaft	1.77 lbf-in	41g	\$88.18

* Force when compressed air is supplied at 72.5psi.



#1833
Size: 11
Panel Mount

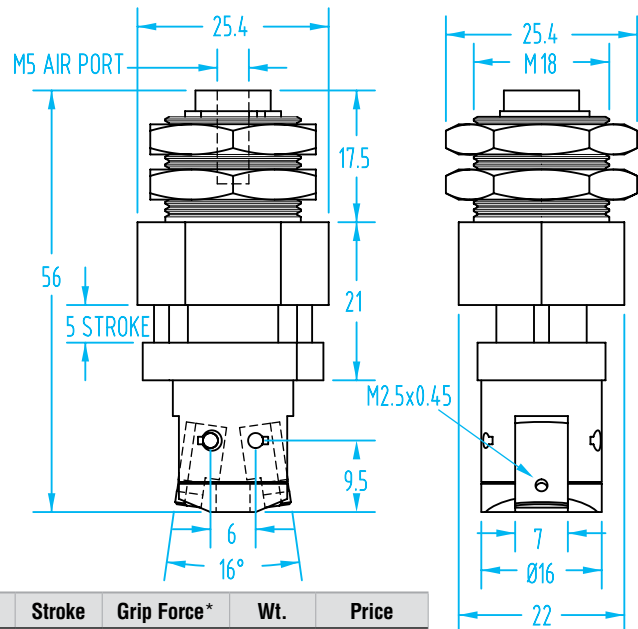
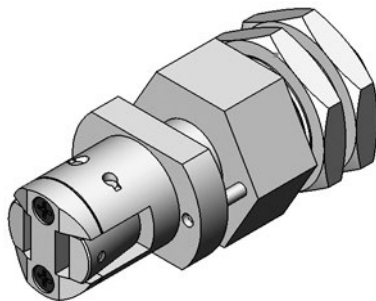


Quick#	Part#	Size	Style	Grip Force*	Wt.	Price
1833	GSG-11A-SPM	11	Panel Mount	1.77 lbf-in	46g	\$91.82

* Force when compressed air is supplied at 72.5psi.



#1835
Size: 11
Panel Mount
Suspension

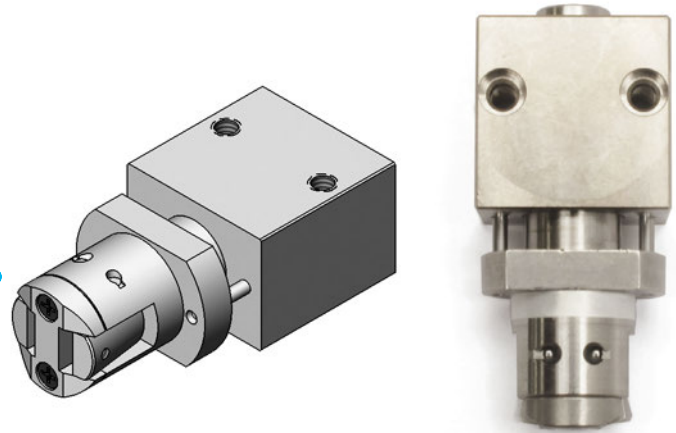
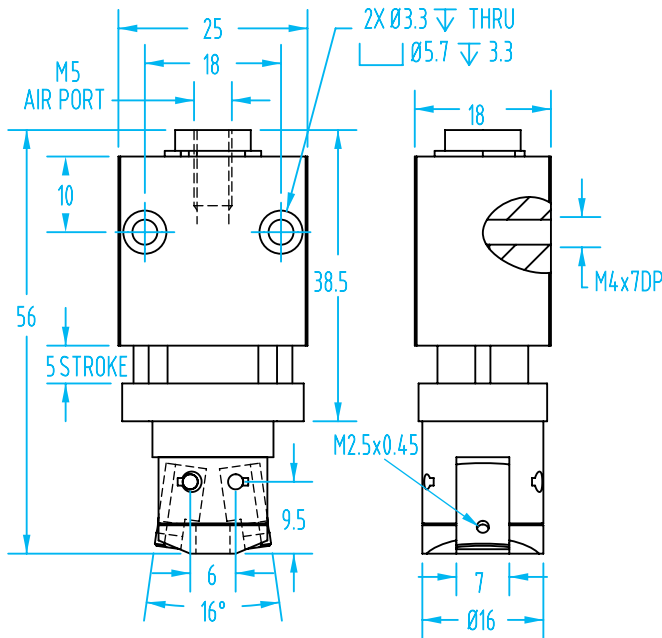


Quick#	Part#	Size	Style	Stroke	Grip Force*	Wt.	Price
1835	GSG-11A-SPMF	11	Panel Mount	5mm	1.77 lbf-in	106g	\$131.82

* Force when compressed air is supplied at 72.5psi.

Miniature Grippers – Size 11

(Dimensioned drawings shown full scale)



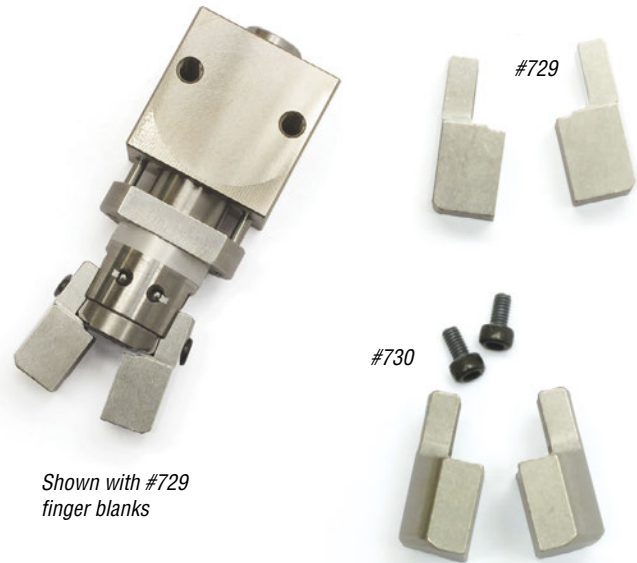
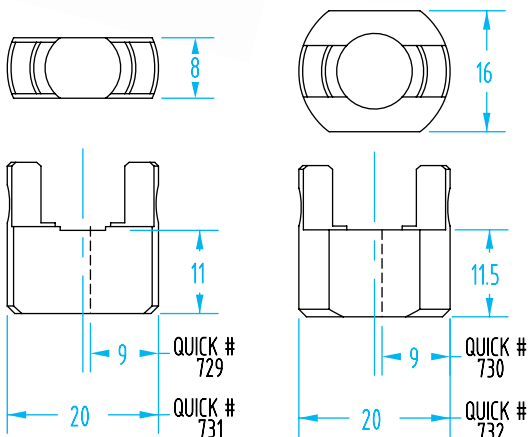
#728
Size: 11
Side Mount
Suspension

Quick#	Part#	Size	Style	Stroke	Grip Force *	Wt.	Price
728	GSG-11A-SF	11	Side Mount	5mm	1.77 lbf-in	117g	\$142.73

* Force when compressed air is supplied at 72.5psi.

Miniature Finger Blanks – Size 11

Machine these blanks to conform to your part, then cut in half to make two fingers.



Shown with #729
finger blanks

Miniature Finger Blanks - Size 11 Grippers

Quick#	Part#	Style	Size	Wt.	Price
729	GSG-11A-FB08	Split	8x20	16g	\$25.45
730	GSG-11A-FB20	Split	16x20	25g	\$25.45
731	GSG-11A-FS08	One-Piece	8x20	17g	\$24.55
732	GSG-11A-FS20	One-Piece	16x20	28g	\$24.55

Mounting screws included.