

# Compact Sprue Grippers – GRZ 20-16

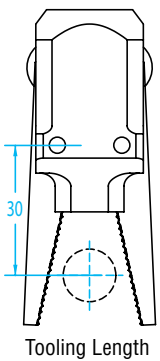
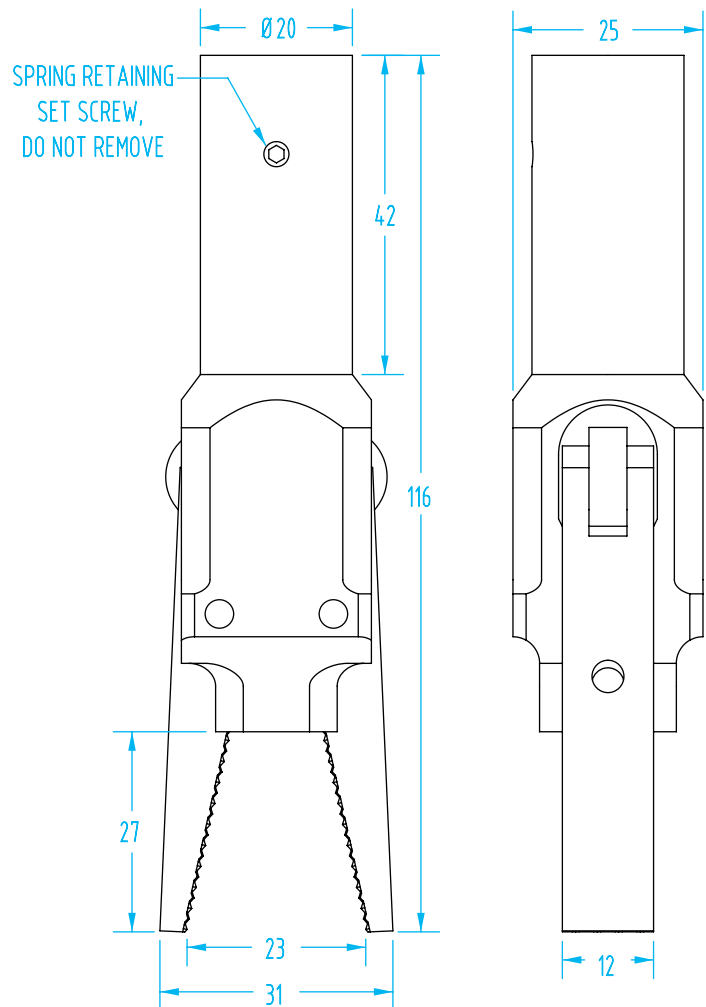
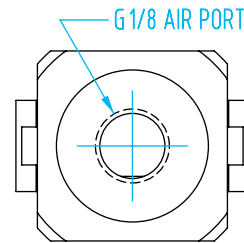
(Dimensioned drawings shown full scale)

## GRZ 20-16 Features:

- Single acting with spring opening.
- Lightweight
- Many mounting options — Ø20mm clampable body.
- All have G1/8" air port.

## #3528 - With diamond textured jaws

- Jaws are made of hard coated aluminum



Fittings Available on page 1047

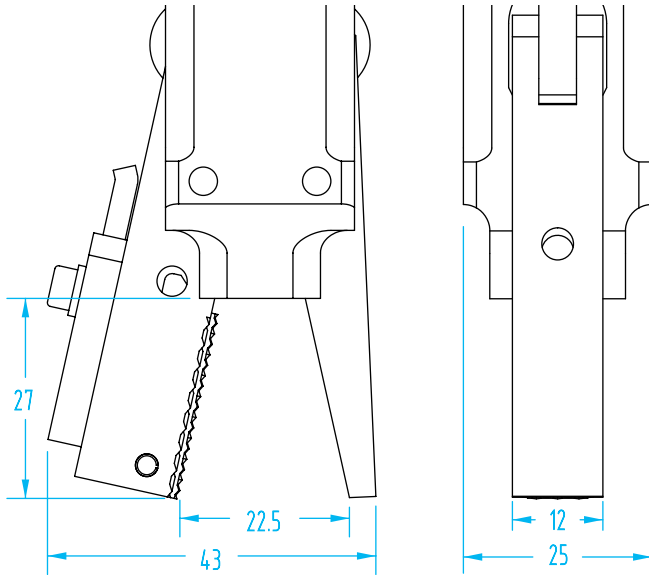


Quick#	Part#	>ASS< #	Price	lbs. Force at 30mm Tooling Length*	Applicable Sprue Ø	Wt.
3528	GRZ20-16R	1-415-06-00	\$209.48	14.6 lbf	2–12mm	96g

\*Note: Force at 87psi (6 bar)

# Compact Sprue Grippers – GRZ 20-16

#3613 / #3614 – With custom jaw & sensor



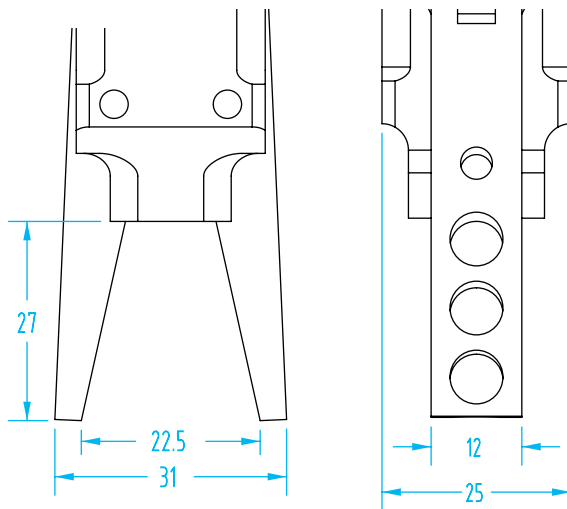
Quick#	Part#	>ASS< #	Price	Sensor	lbs. Force at 30mm Tooling Length*	Applicable Sprue Ø	Wt.
3613	GRZ-20-16-CS-PNP	1-415-18-00	\$281.40	PNP	14.6 lbf	4–12mm	165g
3614	GRZ-20-16-CS-NPN	1-415-24-00	\$281.40	NPN	14.6 lbf	4–12mm	165g

*Includes sensor with M8 plug and a 6' KG 8-3 extension cable.*

*\*Note: Force at 87psi (6 bar)*



Use in conjunction with jaw hook on page 499 to improve grip.



#3310 - With custom jaws

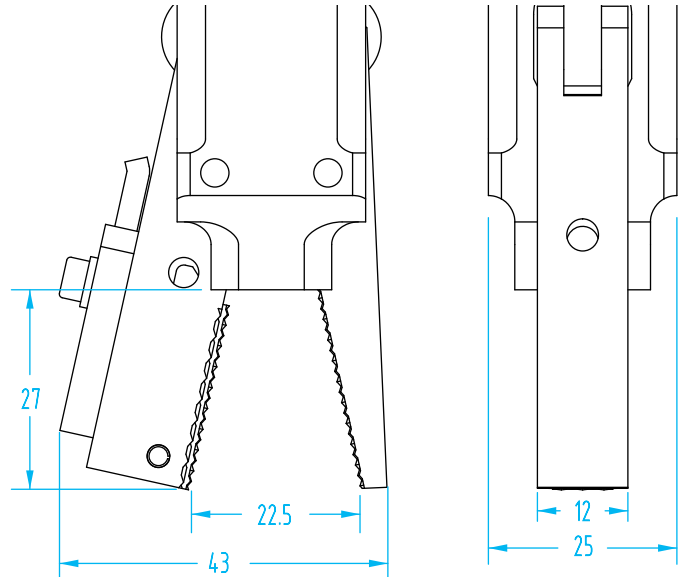
Quick#	Part#	>ASS< #	Price	lbs. Force at 30mm Tooling Length*	Applicable Sprue Ø	Wt.
3310	GRZ20-16	1-415-03-00	\$185.85	14.6 lbf	2–12mm	135g

*\*Note: Force at 87psi (6 bar)*

## Compact Sprue Grippers – GRZ 20-16

(Dimensioned drawings shown full scale)

### #3615 / #3617 - With diamond textured jaws and sensor



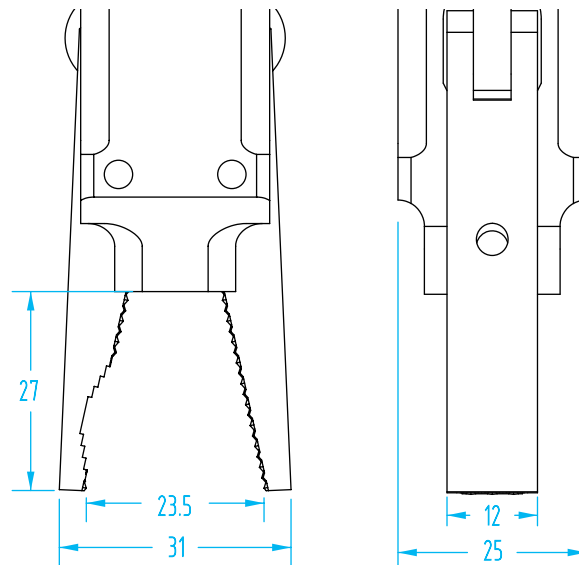
Quick#	Part#	>ASS< #	Price	Sensor	lbs. Force at 30mm Tooling Length*	Applicable Sprue Ø	Wt.
3615	GRZ-20-16-RCS-PNP	1-415-08-00	\$304.50	PNP	14.6 lbf	3–12mm	115g
3617	GRZ-20-16-RCS-NPN	1-415-27-00	\$304.50	NPN	14.6 lbf	3–12mm	115g

*Includes sensor with M8 plug and a 6' KG 8-3 extension cable.*

\*Note: Force at 87psi (6 bar)

### #3669 - With radiused jaw

- Part nests in the radiused jaw



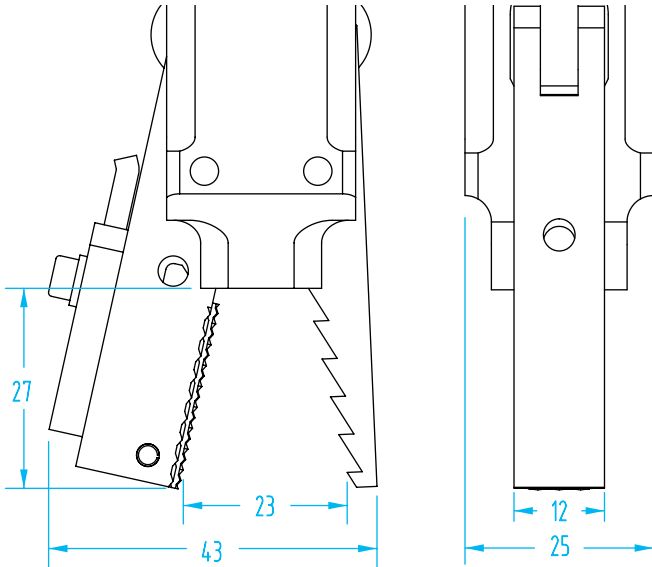
Quick#	Part#	>ASS< #	Price	lbs. Force at 30mm Tooling Length*	Applicable Sprue Ø	Wt.
3669	GRZ-20-16-K	1-415-70-00	\$209.48	14.6 lbf	4–16mm	146g

\*Note: Force at 87psi (6 bar)

**Compact Sprue Grippers – GRZ 20-16**

(Dimensioned drawings shown full scale)

**3665 / #3666 - With saw jaws and sensor**

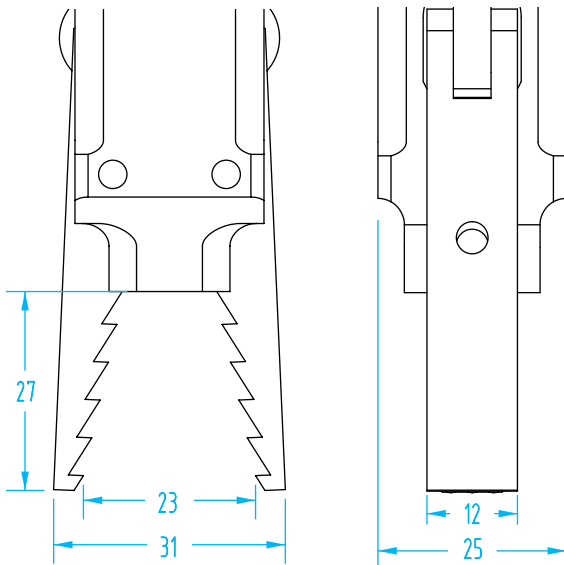


Quick#	Part#	>ASS< #	Price	Sensor	lbs. Force at 30mm Tooling Length*	Applicable Sprue Ø	Wt.
3665	GRZ-20-16-SCS-PNP	1-415-42-00	\$304.50	PNP	14.6 lbf	5–12mm	120g
3666	GRZ-20-16-SCS-NPN	1-415-44-00	\$304.50	NPN	14.6 lbf	5–12mm	120g

*Includes sensor with M8 plug and a 6' KG 8-3 extension cable.*

\*Note: Force at 87psi (6 bar)

**#3541 - With saw jaws**



Quick#	Part#	>ASS< #	Price	lbs. Force at 30mm Tooling Length*	Applicable Sprue Ø	Wt.
3541	GRZ20-16S	1-415-40-00	\$214.20	14.6 lbf	4–12mm	142g

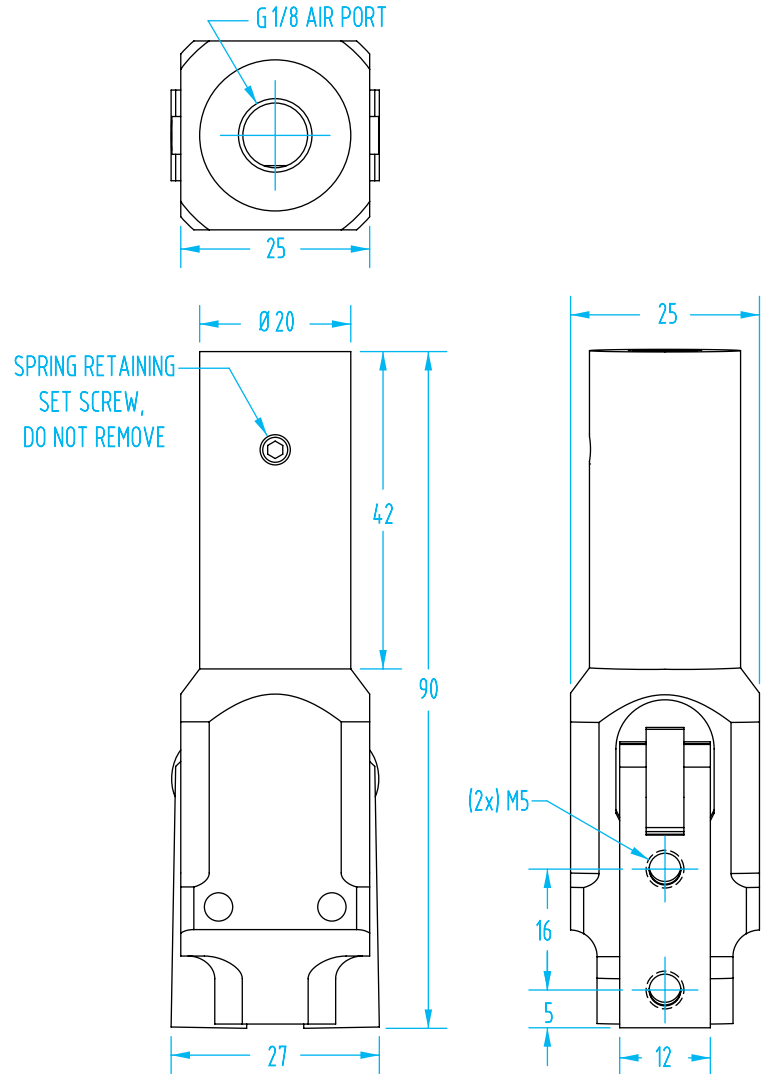
\*Note: Force at 87psi (6 bar)

# Compact Sprue Grippers – GRZ 20-16

(Dimensioned drawings shown full scale)

## #3311 - For custom-made jaws

- Nylon & Aluminum finger blanks available on page 452.



Quick#	Part#	>ASS< #	Price	lbs. Force at 30mm Tooling Length*	Wt.
3311	GRZ20-16A	1-415-09-00	\$182.18	14.6 lbf	119.7g

\*Note: Force at 87psi (6 bar)

Use Quick#s for easy online ordering.

Fittings Available  
on page 1047



## Compact Sprue Grippers – GRZ 20-16

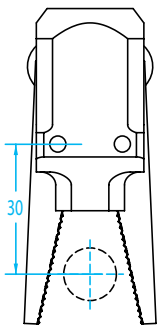
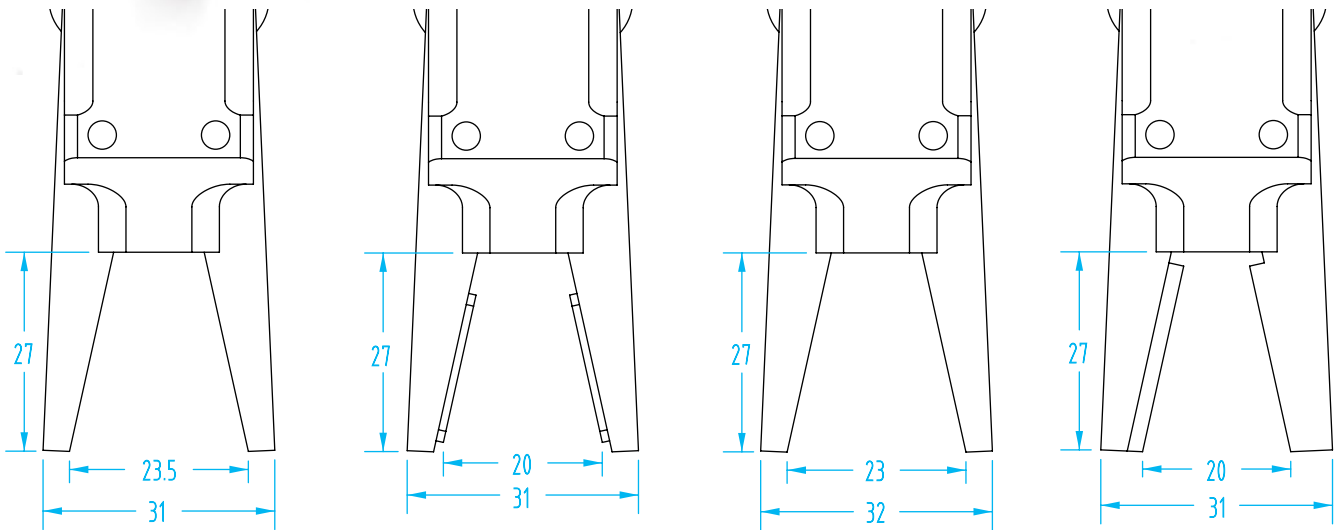
(Dimensioned drawings shown full scale)

#3663 – Smooth jaws

#3667 – Padded jaws

#3727 – Coated jaws

#3664 – V-tooth jaws



Tooling Length

Quick#	Part#	>ASS< #	Price	Style	lbs. Force at 30mm Tooling Length*	Applicable Sprue Ø	Wt.
3663	GRZ-20-16-G	1-415-60-00	\$214.20	Smooth jaws	14.6 lbf	2–12mm	146g
3667	GRZ-20-16-PU	1-415-30-00	\$214.20	Polyurethane pads	14.6 lbf	2–12mm	146g
3727	GRZ-20-16-EP	1-415-61-00	\$288.75	Coated jaws	14.6 lbf	2–12mm	146g
3664	GRZ-20-16-PK	1-415-12-00	\$214.20	V-tooth jaws	14.6 lbf	1–12mm	146g

\*Note: Force at 87psi (6 bar)

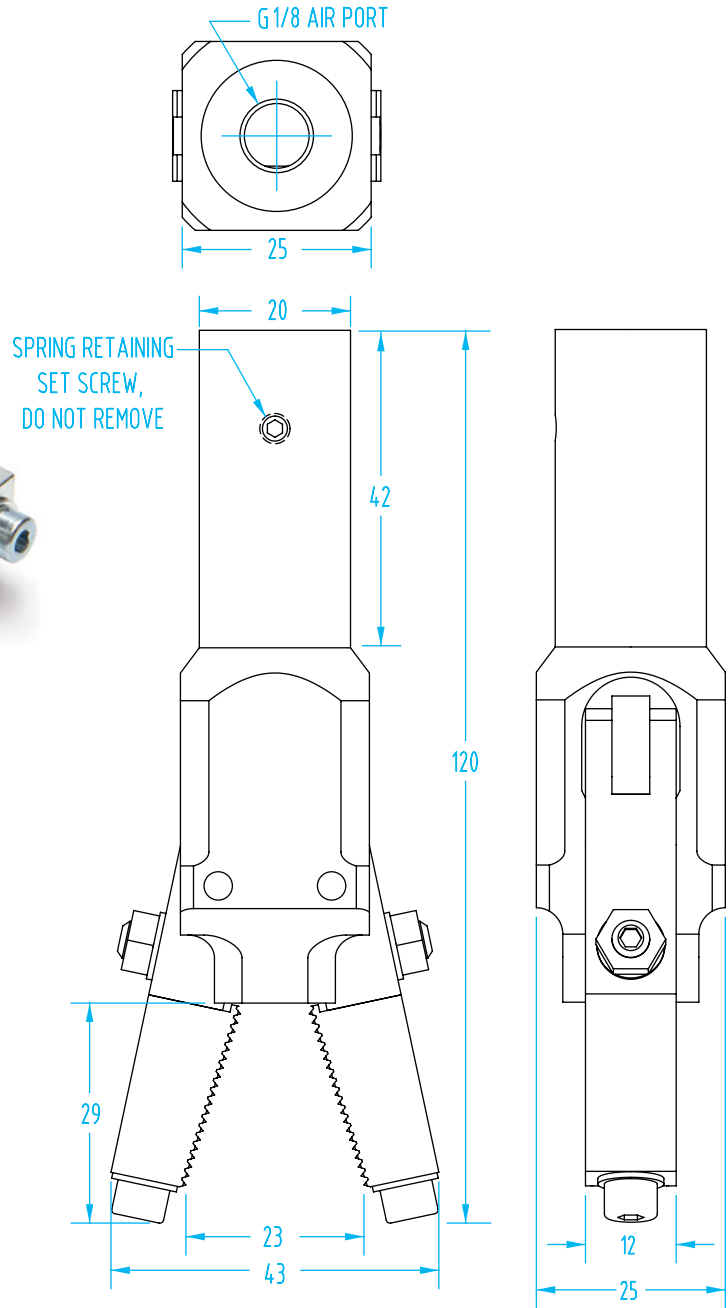
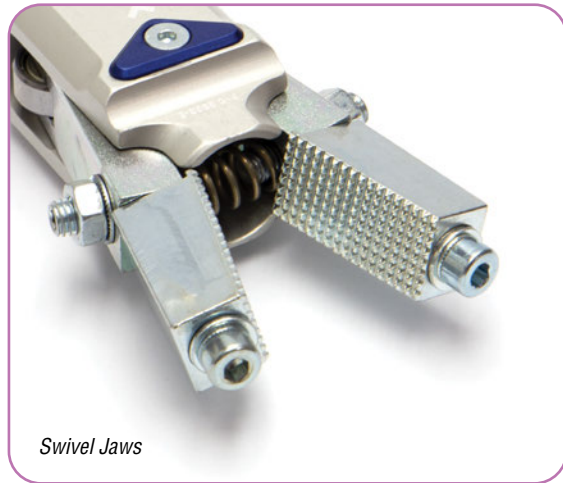
- Padded are silicone free, non-marking polyurethane.
- Short term contact for padded jaws is 230°F.
- Coated jaws have a high strength elastomere polyurethane.
- 194°F (266°F short term) max. temperature for coated jaws.

# Compact Sprue Grippers – GRZ 20-16

(Dimensioned drawings shown full scale)

## #3668 - With diamond textured swivel jaws

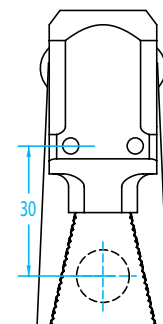
- Designed to grip conical parts or runners.
- Swivel jaws automatically adjust to the shape of the parts/runner.



Quick#	Part#	>ASS< #	Price	lbs. Force at 30mm Tooling Length*	Applicable Sprue Ø	Wt.
3668	GRZ-20-16-DB	1-415-50-00	\$290.33	14.6 lbf	2–12mm	165g

\*Note: Force at 87psi (6 bar)

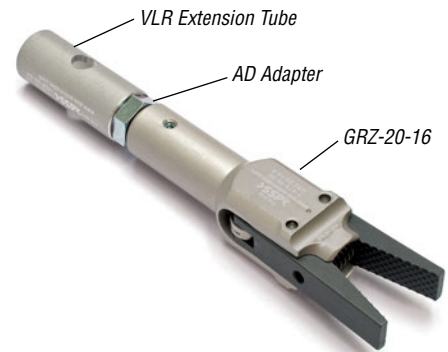
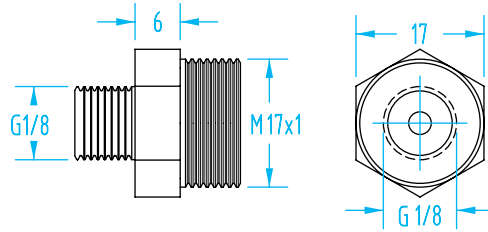
Tooling Length



## Compact Sprue Grippers – GRZ 20-16

(Dimensioned drawings shown full scale)

### #3681 - Gripper extension adapter



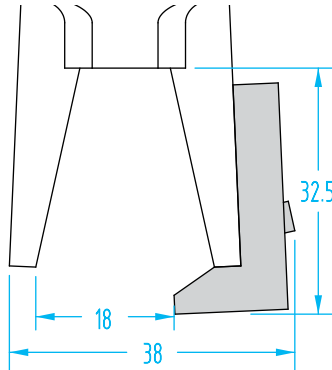
The AD 20-16 adapter screws into the air port of any GRZ 20-16 gripper. The M17x1 thread connects with any VLR 20 extension tube.

Quick#	Part#	>ASS< #	Price	Use with:	Wt.
3681	GRZ-AD-20-16	1-415-03-04	\$8.40	GRZ 20-16	46g

### #3680 - Jaw hook for gripper with standard jaws



M4 Tapped holes



This gripper jaw hook fits in the GRZ 20-16 gripper with standard jaws for improved rip-off capability. Screws are included.

Quick#	Part#	>ASS< #	Price	Use with:	Wt.
3680	GRZ-20-16-HW	1-415-14-00	\$7.88	#3613, #3614, #3610	21g

### #3805 / #3806 - Sensors for GRZ 20-16



Sensor IES 8, 3 pin male plug in PNP or NPN. Extension cable KG 8-3 (6' length) is included.

Quick#	Part#	Price	Type	Signal	Connection	Power Supply	Max. Switching Frequency	Voltage Drop	Operating Temperature	IEC Rating	Cable
3805	IES-8-PNP	\$49.60	3-wire inductive rectangle	PNP	M8 & .16m long	12-30V dc	2000 Hz	1.8V	-22-185°F	IP 67	PUR
3806	IES-8-NPN	\$65.40	3-wire inductive rectangle	NPN	M8 & .16m long	12-30V dc	2000 Hz	1.8V	-22-185°F	IP 67	PUR

Note: >ASS<GRZ 10-08 sprue grippers use IE-AL-K... sensors, see page 1005