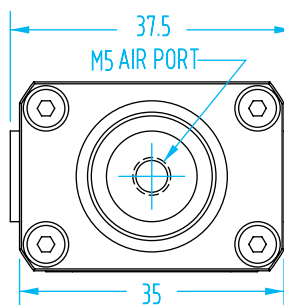


Full-Body Sprue Grippers – GRZ 20-20

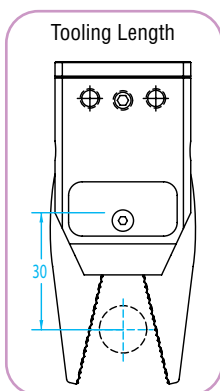
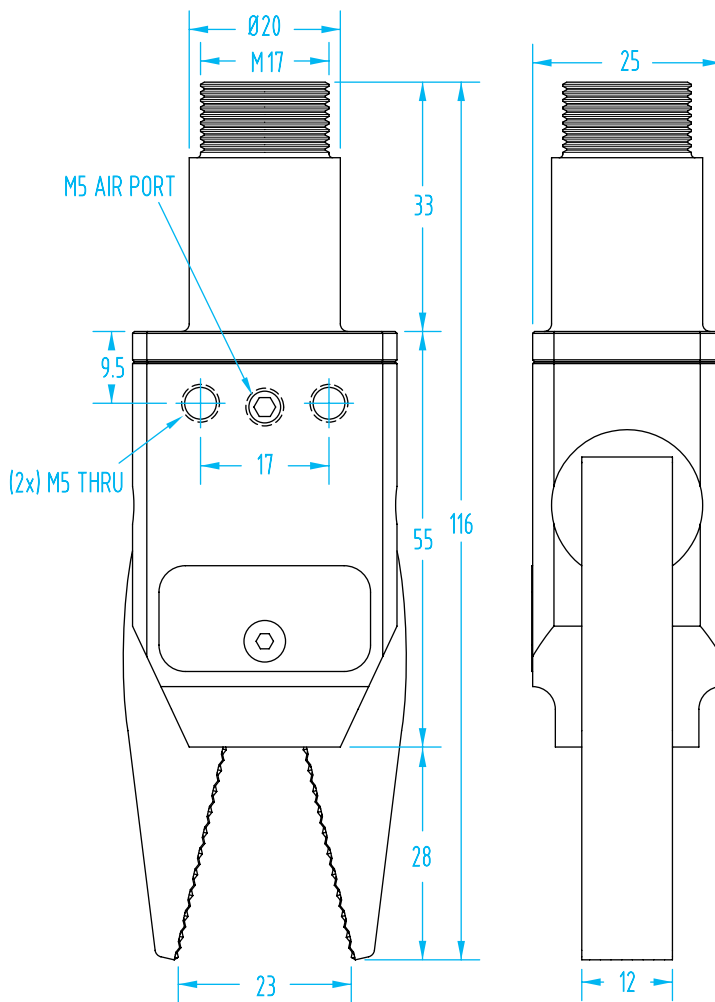
(Dimensioned drawings shown full scale)

GRZ 20-20 Features:

- Single acting with spring opening.
- Jaws are made of hard-coated aluminum, body made of anodized aluminum.
- Many mounting options — Ø20mm clampable body.
- Higher grip force than the GRZ20-16.
- M5 air ports in shaft and side.
- Grippers with sensors also include a 6' extension cable.



#3671 - With hard-coated aluminum jaws



Quick#	Part#	>ASS< #	Price	lbs. Force at 30mm Tooling Length*	Applicable Sprue Ø	Weight
3671	GRZ-20-20	1-417-00-00	\$209.48	32.0 lbf	2-12mm	133g

*Note: Force at 87psi (6 bar)

Use Quick#s for easy online ordering.

Full-Body Sprue Grippers – GRZ 20-20

(Dimensioned drawings shown full scale)

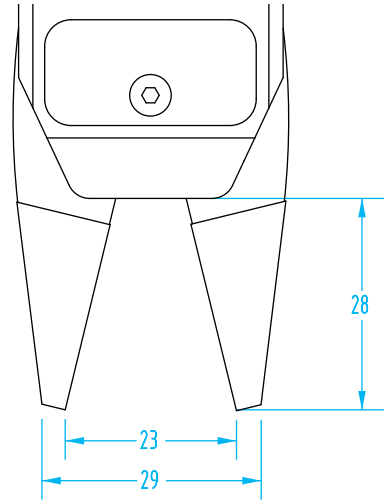
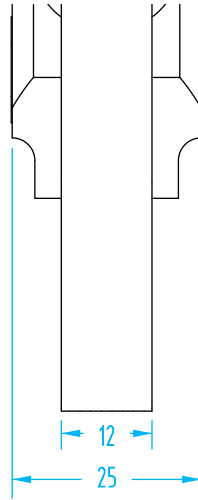
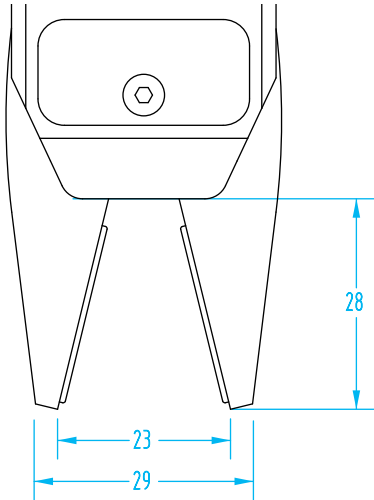
#3718 - With polyurethane padded jaws

- Silicone free, non-marking pads
- Short term contact for PU pads is 230° F



#3725 - With soft touch coated jaws

- Silicone free, non-marking coating
- 194°F (266°F short term) max. temperature



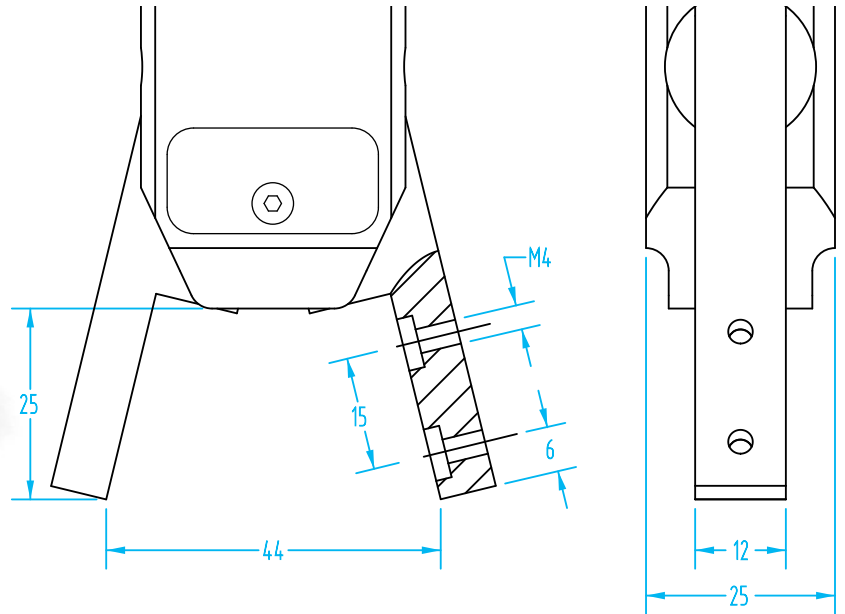
Quick#	Part#	>ASS< #	Price	Style	lbs. Force at 30mm Tooling Length*	Applicable Sprue Ø	Weight
3718	GRZ-20-20-PU	1-417-30-00	\$214.20	Padded jaws	32.0 lbf	2–12mm	133g
3725	GRZ-20-20-EP	1-417-65-00	\$288.75	Coated jaws	32.0 lbf	2–12mm	133g

*Note: Force at 87psi (6 bar)

Full-Body Sprue Grippers – GRZ 20-20

(Dimensioned drawings shown full scale)

#3717 - With custom jaws



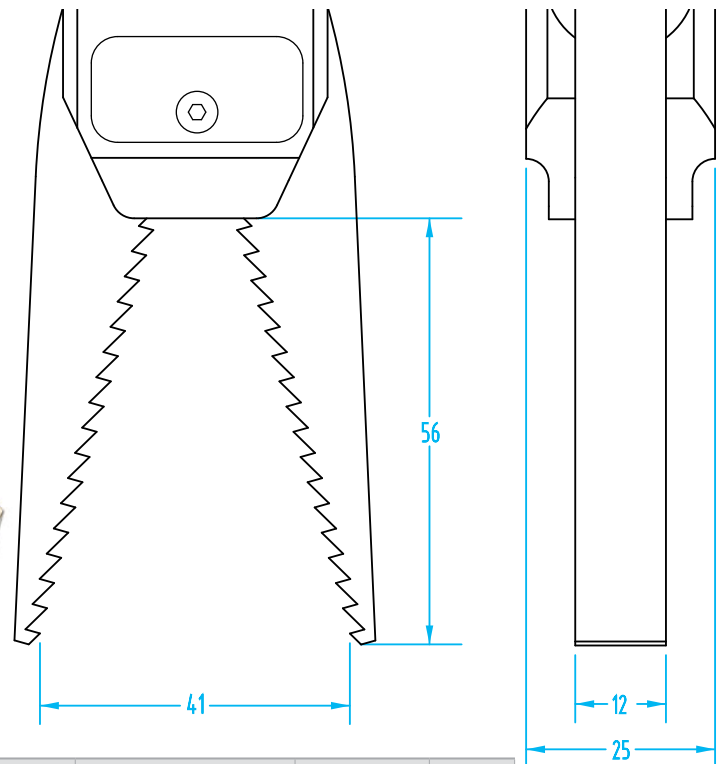
Fittings Available on page 1047



Quick#	Part#	>ASS< #	Price	lbs. Force at 30mm Tooling Length*	Weight
3717	GRZ-20-20-A	1-417-03-00	\$182.18	32.0 lbf	130g

*Note: Force at 87psi (6 bar)

#3641 - With long saw jaws



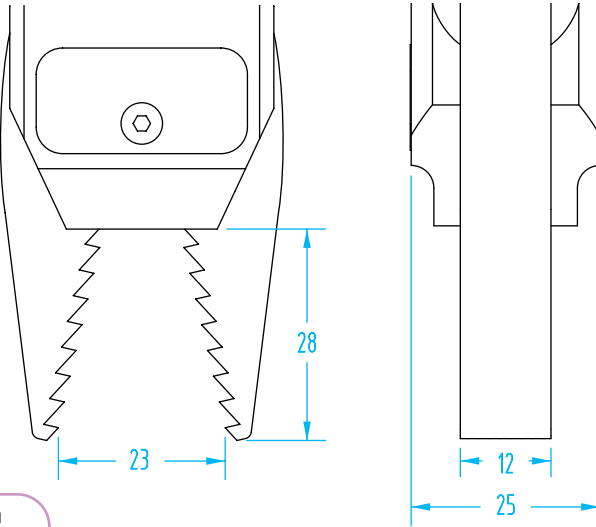
Quick#	Part#	>ASS< #	Price	lbs. Force at 30mm Tooling Length*	Applicable Sprue Ø	Weight
3641	GRZ-20-20-SL	1-417-07-00	\$273.00	32.0 lbf	5–25mm	133g

*Note: Force at 87psi (6 bar)

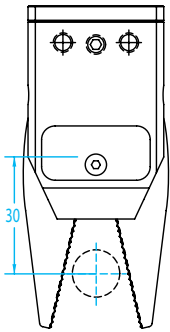
Full-Body Sprue Grippers – GRZ 20-20

(Dimensioned drawings shown full scale)

#3674 - With saw jaws



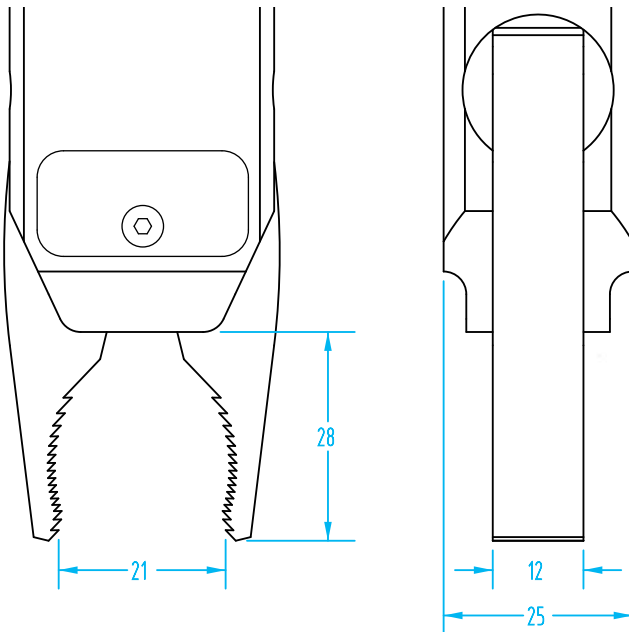
Tooling Length



Quick#	Part#	>ASS< #	Price	lbs. Force at 30mm Tooling Length*	Applicable Sprue Ø	Weight
3674	GRZ-20-20-S	1-417-06-00	\$214.20	32.0 lbf	4-12mm	133g

*Note: Force at 87psi (6 bar)

#3642 - With concave jaws



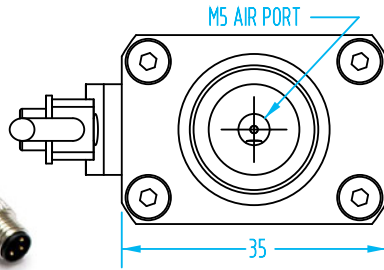
Quick#	Part#	>ASS< #	Price	lbs. Force at 30mm Tooling Length*	Applicable Sprue Ø	Weight
3642	GRZ-20-20-Z	1-417-05-00	\$214.20	32.0 lbf	4-12mm	133g

*Note: Force at 87psi (6 bar)

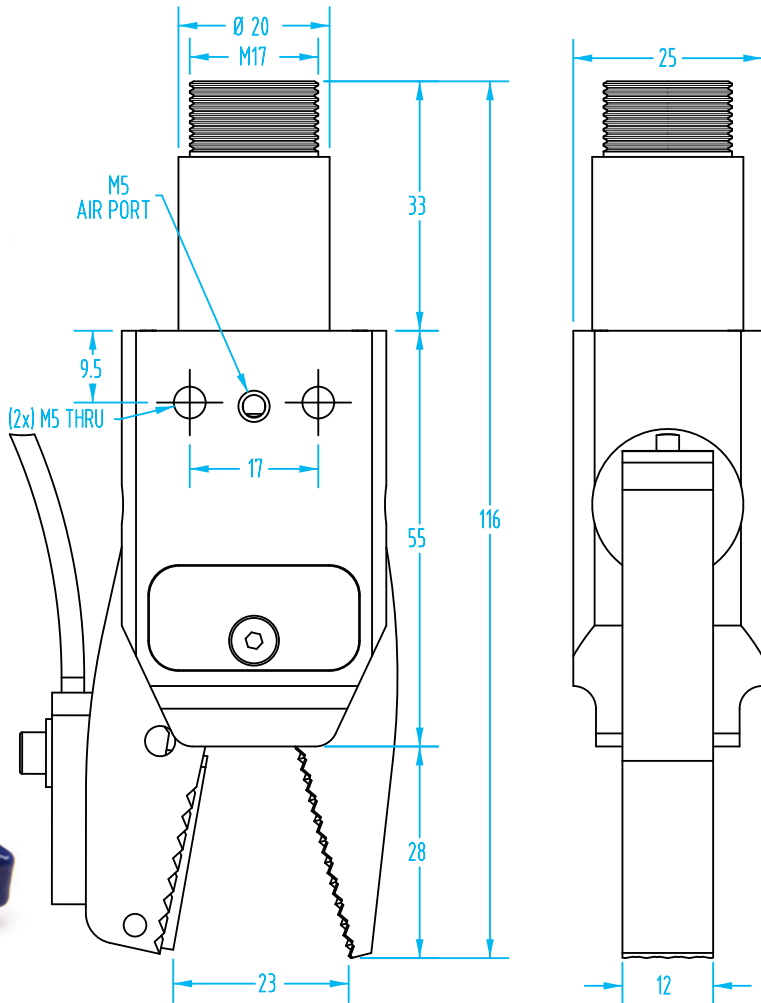
Full-Body Sensor Finger – GRZ 20-20

(Dimensioned drawings shown full scale)

#3672 / #3673 - With diamond textured jaws and sensor



#3739 / 3740 - With coated jaws and sensor



Quick#	Part#	>ASS< #	Price	Sensor	Style	lbs. Force at 30mm Tooling Length*	Applicable Sprue Ø	Wt.
3672	GRZ-20-20-CS-PNP	1-417-20-00	\$304.50	PNP	Diamond Texture	32.0 lbf	4-12mm	145g
3673	GRZ-20-20-CS-NPN	1-417-20-01	\$304.50	NPN				
3739	GRZ-20-20-RCS-PNP-EP	1-417-62-00	\$367.50	PNP	EP Coated	32.0 lbf	4-12mm	153g
3740	GRZ-20-20-RCS-NPN-EP	1-417-63-00	\$367.50	NPN				

Includes sensor with M8 plug and a 6' KG 8-3 extension cable.

Use Quick#s for easy online ordering.

*Note: Force at 87psi (6 bar)

Full-Body Sensor Finger – GRZ 20-20

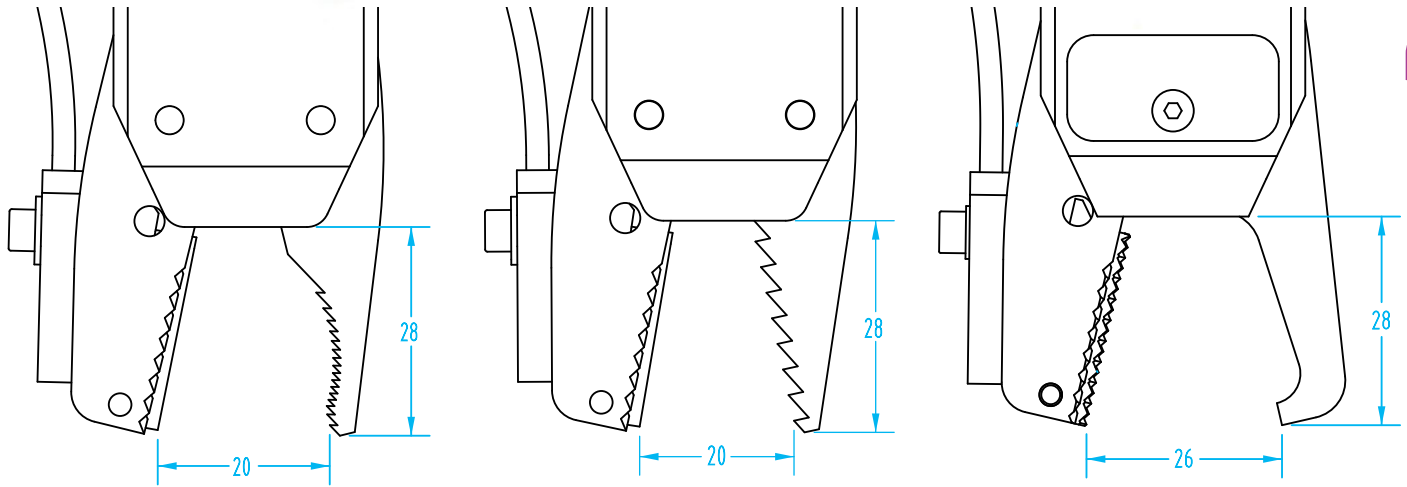
(Dimensioned drawings shown full scale)

#3675 / #3676 - With saw jaws

#3643 / #3644 - With concave jaws

#3888 / #3889 - With parrot jaws

NEW



Quick#	Part#	>ASS< #	Price	Sensor	Style	lbs. Force at 30mm Tooling Length*	Applicable Sprue Ø	Wt.
3675	GRZ-20-20-SCS-PNP	1-417-22-00	\$304.50	PNP	Saw Jaws	32.0 lbf	4-12mm	133g
3676	GRZ-20-20-SCS-NPN	1-417-22-01	\$304.50	NPN				
3643	GRZ-20-20-ZC-PNP	1-417-21-00	\$304.50	PNP	Concave Jaws	32.0 lbf	4-12mm	143g
3644	GRZ-20-20-ZC-NPN	1-417-21-01	\$304.50	NPN				
3888	GRZ-20-PS-CS-PNP	1-417-32-00	\$384.30	PNP	Parrot Jaws	32.0 lbf	4-12mm	141g
3889	GRZ-20-PS-CS-NPN	1-417-33-00	\$384.30	NPN				

Includes sensor with M8 plug and a 6' KG 8-3 extension cable.

**Note: Force at 87psi (6 bar)*