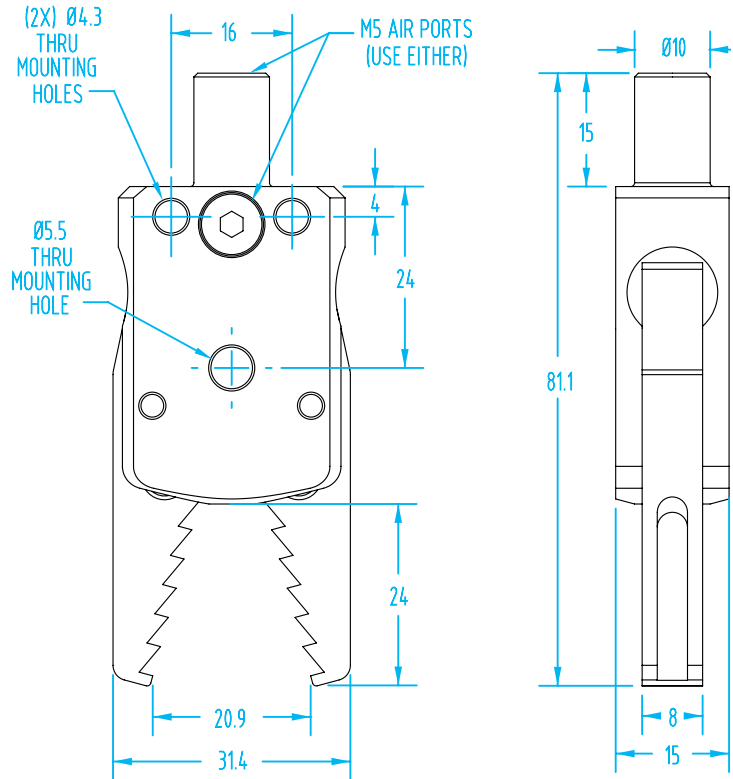
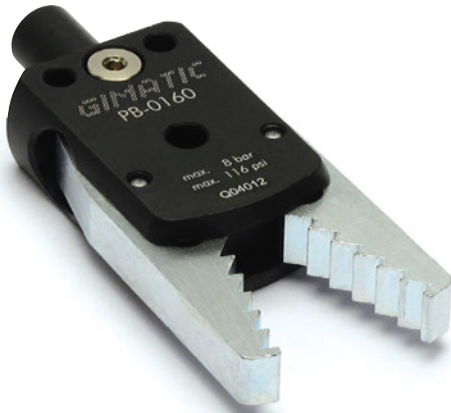


Mini Sprue Gripper with Steel Jaws – PB-0160

(Dimensioned drawings shown full scale)



- Higher grip force than other similarly sized sprue grippers.
- Angular, non-self-centering.
- Interlaced and serrated steel jaws hold small and medium sprues firmly.
- Ø10mm diameter mounting post with M5 air port allows this gripper to be used with standard mounting and air connection components. Alternate M5 air port on front of gripper can be used.
- Replacement parts available online.



Quick#	Part#	Price	Style	Applicable Sprue Ø	Closing Force at 25mm Tooling Length*	Weight
7118	PB-0160	\$129.00	Steel Saw Jaws	3–9mm	11.0 lbf	70g

* The Closing Force listed is both jaws combined when supplied at 87psi. Tooling length is measured from jaw pivot point.

Use Quick#s for easy online ordering.

Fittings Available on page 1047



Find nipper mounting clamps for PB grippers on pages 838 – 839.