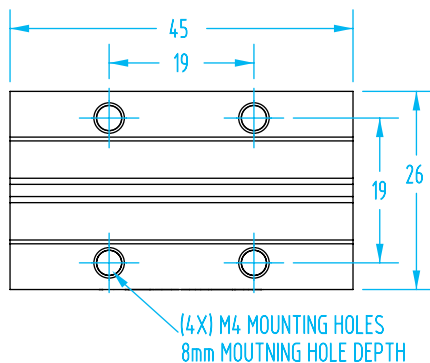
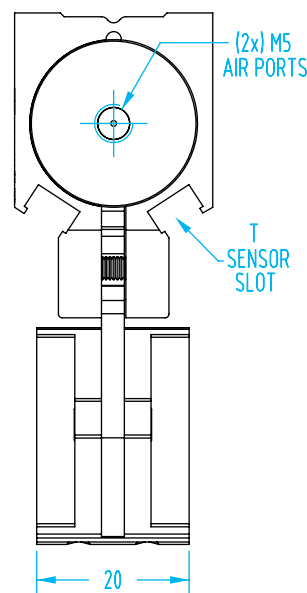
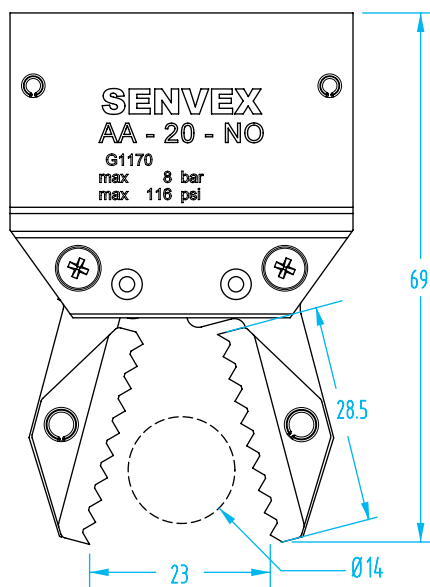


The Original Senvex – AA-20

(Dimensioned drawings shown full scale)



- Internal jaw mechanism is constructed of hardened steel components for a maintenance-free life exceeding 5 million cycles.
- Sprue fingers are made of hard-coat anodized aluminum for long life. Replacement finger kits are available. Replacement does not require disassembly of the gripper.
- Interlaced and serrated fingers allow a wide range of sprue diameters to be gripped. Small diameter sprues can be gripped and sensed. Large diameter sprues are cradled and won't twist out.
- Dual sensor slots allow two sensors to mount on the gripper providing logic confirmation of three positions: gripper open, sprue gripped, and sprue missed.



Quick#	Part#	Price	Operation	Applicable Sprue Ø	lbs. Force at 25mm Tooling Length*	Weight
790	GSG-AA-20-NO	\$237.00	Normally Open	4-14mm	22.5 lbf	107g
791	GSG-AA-20	\$237.00	Double Acting	4-14mm	27.0 lbf	106g
Order sensors separately See Sensor Reference Guide on page 1008 for a complete list of sensors for AA Grippers.						
792	SL4N225G	\$27.20	PNP sensor	T-slot, 3-wire with lead, 2.5m long		
6274	SL3N203G	\$31.16	PNP sensor	T-slot, 3-wire with M8 male connector, 0.3m long**		
793	SL4M225G	\$27.20	NPN sensor	T-slot, 3-wire with lead, 2.5m long		
6456	SL3M203G	\$31.16	NPN sensor	T-slot, 3-wire with M8 male connector, 0.3m long**		

Note: Gimatic SS sensors also available but must buy sensor adaptor #7440 for the T channel slot
 * Force when compressed air is supplied at 87psi. Tooling length is measured from jaw pivot point.
 ** M8 Extension cables Quick#'s 2582 & 2583 available on page 985.

Replacement Fingers - priced per FINGER (each)

Quick#	Part#	Material	Price
794	GSG-AGAF-45	Aluminum	\$18.76
795	GSG-AGSF-45	Tool Steel	\$19.85
600	GSG-ASG-STP	Roll Pins	\$0.30

