

# M20 Suspensions

(Dimensioned drawings shown full scale)

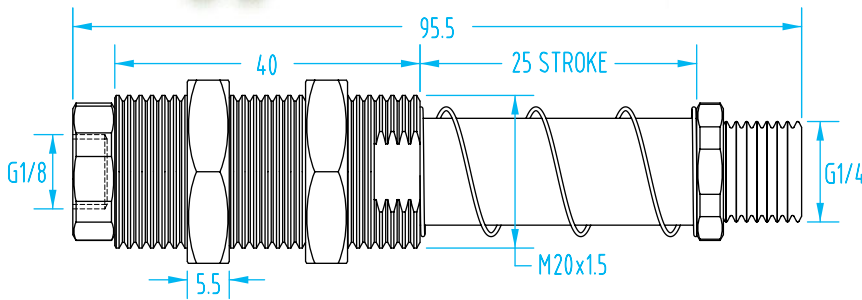
#1407



#1409



Non-rotating



Quick#	Part#	Style	Stroke	Weight	Price
1407	GSS-85-M20G4	Rotate	25mm	136g	\$57.65
1409	GSS-85R-M20G4	Non-rotate	25mm	134g	\$109.00

Fittings Available on page 1043



Mounting Brackets Available on page 244

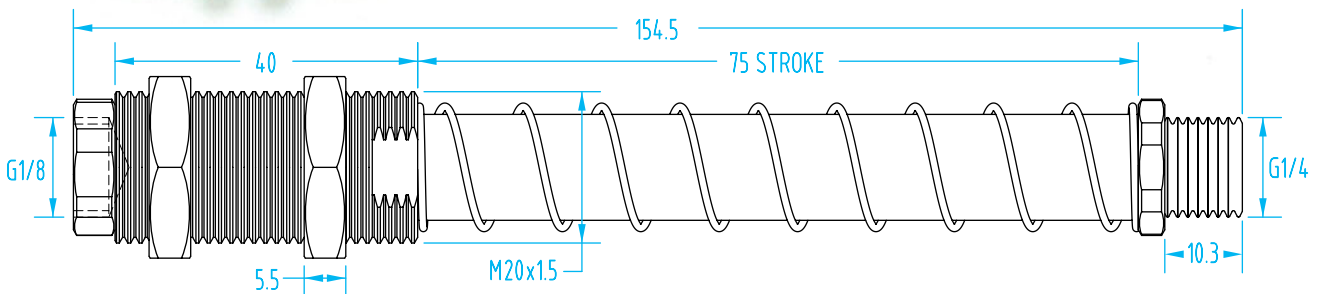


We recommend using a lock washer with threaded body suspensions, see page 1076.

#1408



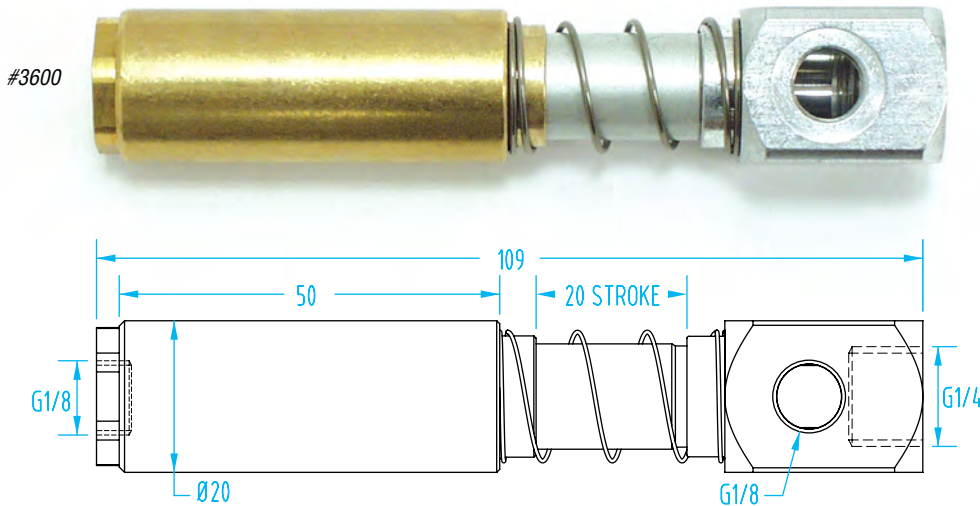
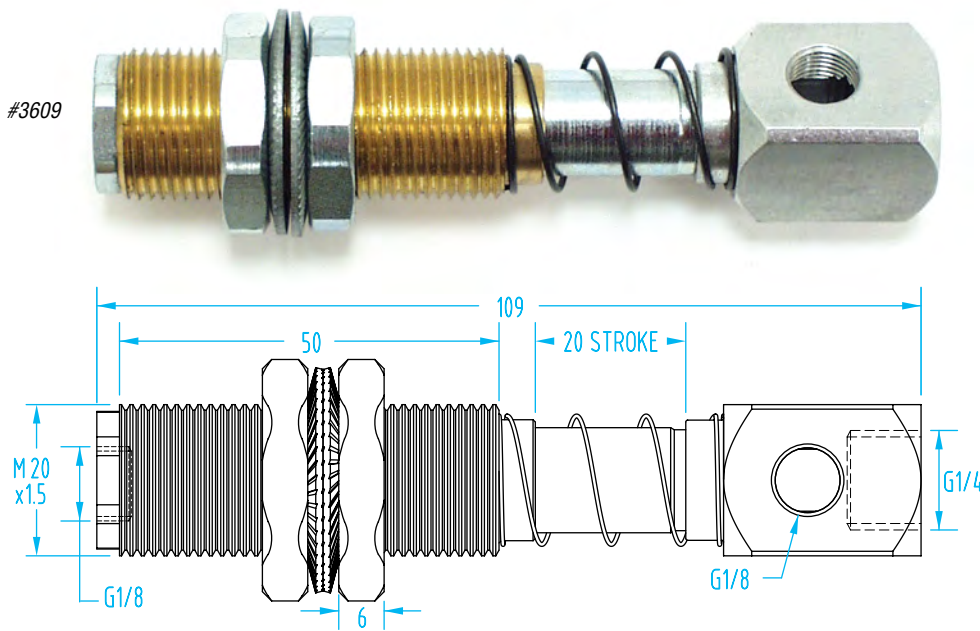
#1410



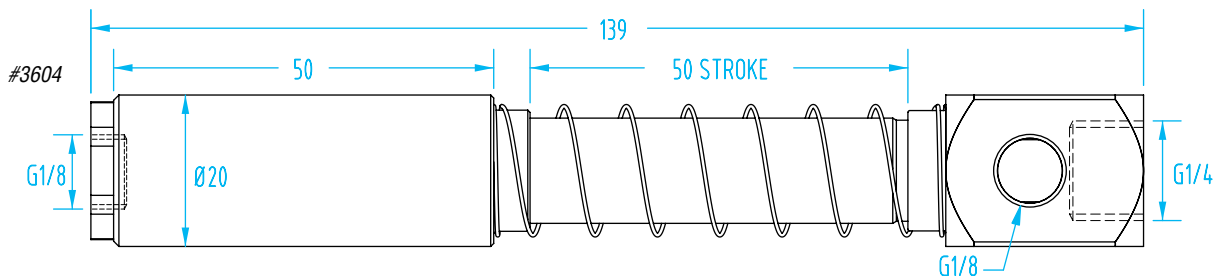
Quick#	Part#	Style	Stroke	Weight	Price
1408	GSS-145-M20G4	Rotate	75mm	192g	\$88.50
1410	GSS-145R-M20G4	Non-rotate	75mm	186g	\$147.00

M20 / Ø20mm Suspensions

(Dimensioned drawings shown full scale)



- Two options for fitting placement. It can either be fed through the side port (plugged initially) or it can pass through the vacuum channel which extends through the suspension body.



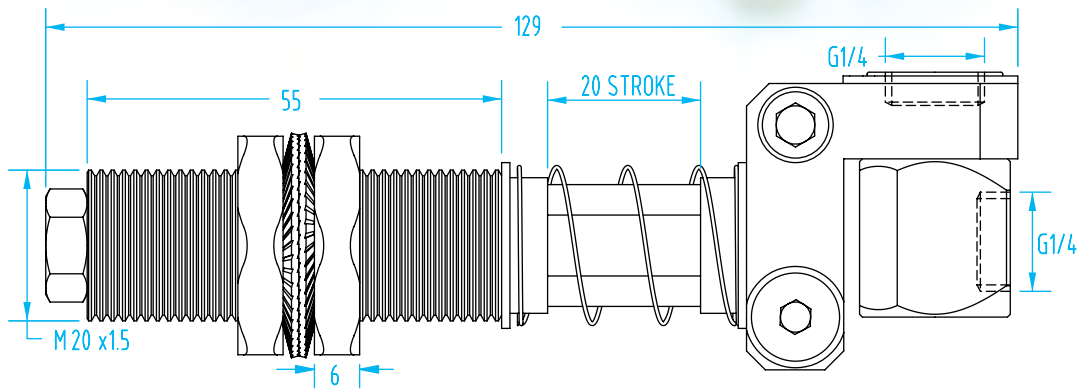
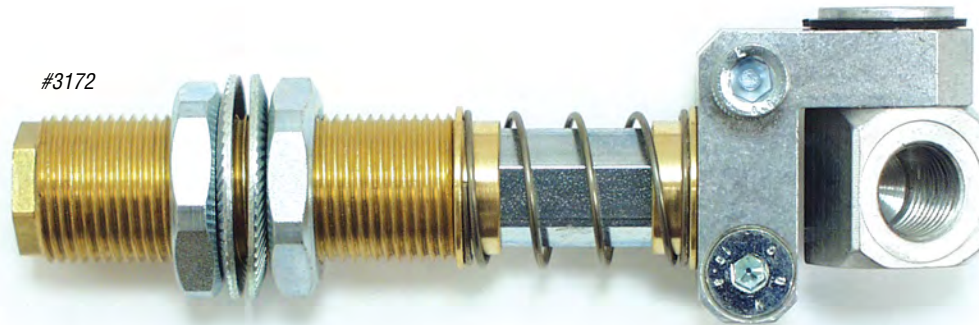
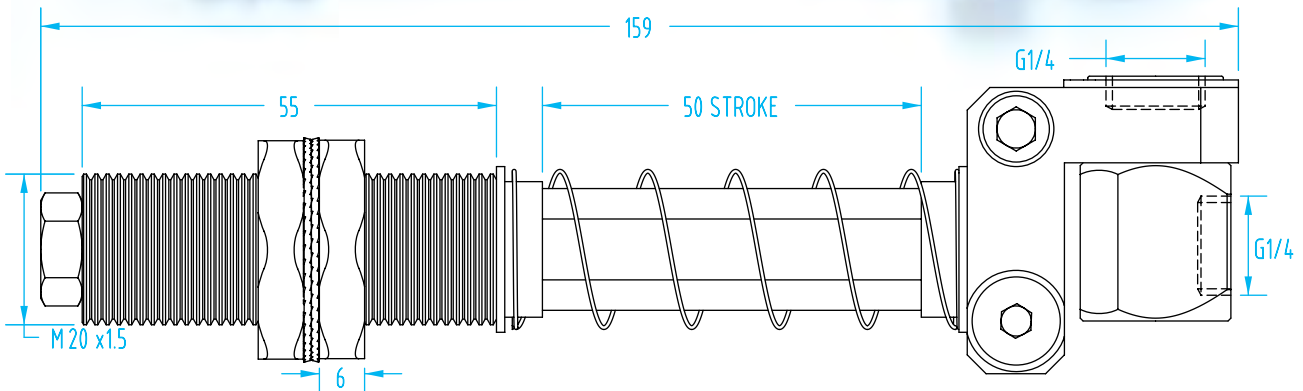
#3610 (not pictured) is threaded version

Quick#	Part#	>ASS< #	Style	Stroke	Weight	Price
3609	GAF20-M-20	1-356-13-00	Threaded, Rotate	20mm	167g	\$48.83
3600	GAF20-U-20	1-356-04-00	Clampable, Rotate	20mm	126g	\$43.05
3610	GAF20-M-50	1-356-14-00	Threaded, Rotate	50mm	175g	\$51.45
3604	GAF20-U-50	1-356-05-00	Clampable, Rotate	50mm	134g	\$45.68

Use Quick#s for easy online ordering.

# M20 Suspensions

(Dimensioned drawings shown full scale)



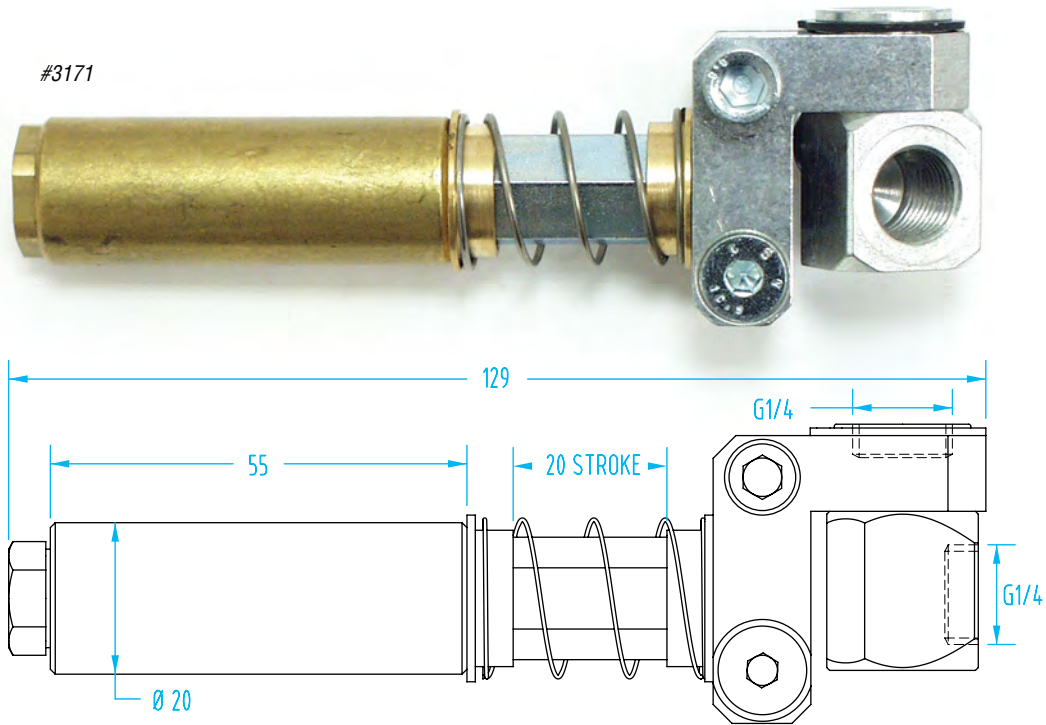
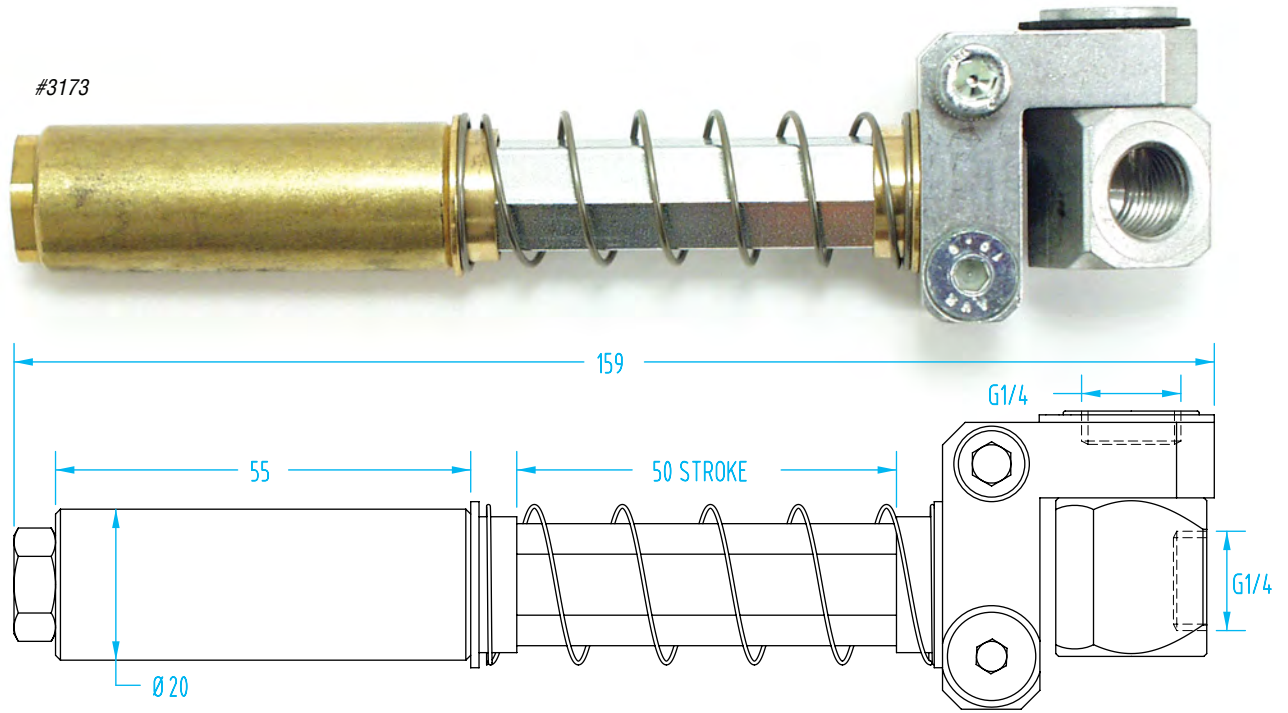
Quick#	Part#	>ASS< #	Style	Stroke	Weight	Price
3174	GG20-M-50	1-360-30-00	Non-rotate	50mm	231g	\$58.28
3172	GG20-M-20	1-360-24-00	Non-rotate	20mm	212g	\$55.65

Fittings Available on page 1043



**Ø20mm Suspensions**

(Dimensioned drawings shown full scale)



Mounting Brackets  
Available on  
page 244

Quick#	Part#	>ASS< #	Style	Stroke	Weight	Price
3173	GGS20-C-50	1-360-27-00	Non-rotate	50mm	209g	\$56.70
3171	GGS20-C-20	1-360-21-00	Non-rotate	20mm	191g	\$53.55

Suspension Reactive Spring Force data is available on each online product page: [www.EMlcorp.com](http://www.EMlcorp.com)