

Gimatic Side Manifold Blocks

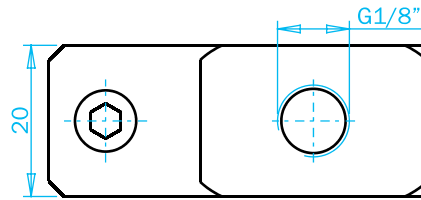
(Dimensioned drawings shown full scale)



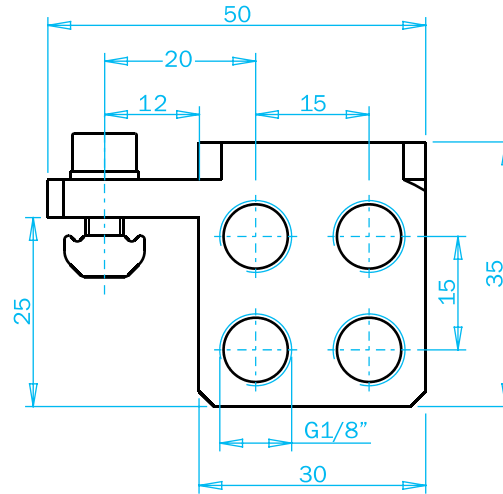
#5769
G1/8" (x9)

COMMON
9 common ports

#5769



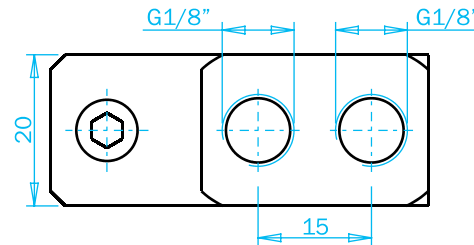
#5769 & #5770



#5770
G1/8" (x10)

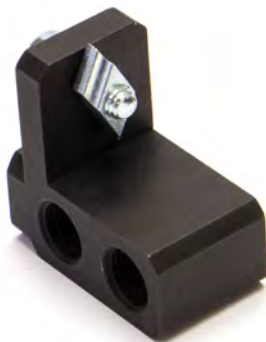
DIVIDED
5 inlet ports, 5 outlet ports

#5770



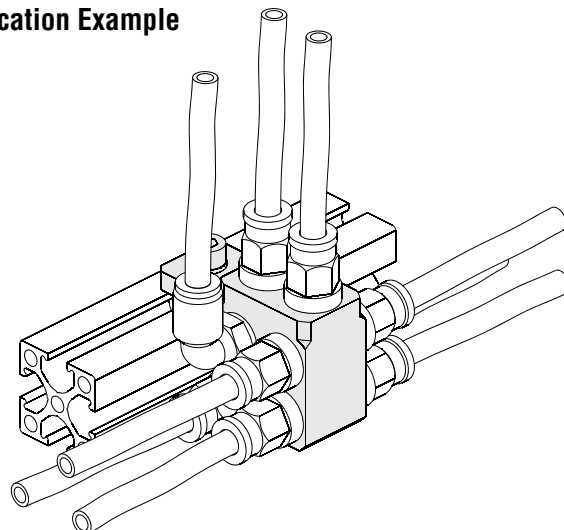
Double Manifold Blocks

Quick#	Part#	Price	Ports	Wt.
5769	MFI-A69	\$12.40	G1/8" (x9)	50g
5770	MFI-A70	\$14.37	G1/8" (x10)	48g



Drop in channel nuts on all Gimatic manifold blocks allow the manifolds to be easily installed on an already assembled EOAT.

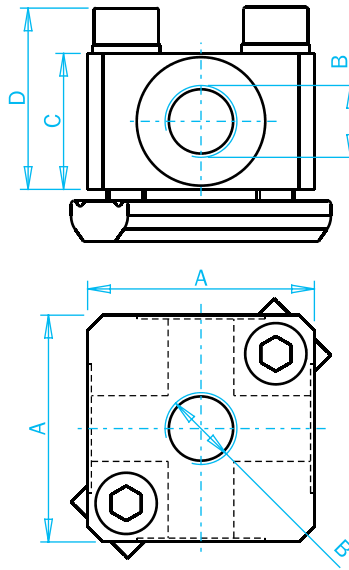
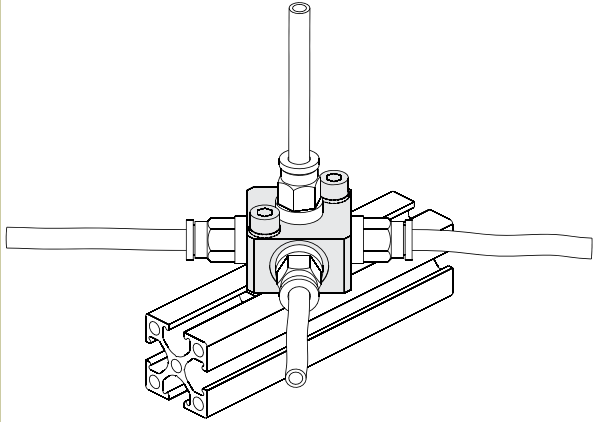
Application Example



Gimatic Side Manifold Blocks

(Dimensioned drawings shown full scale)

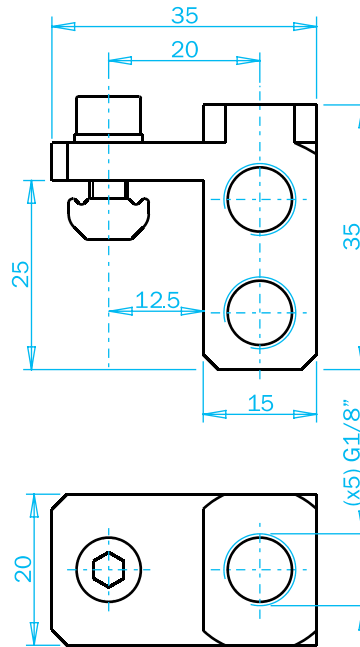
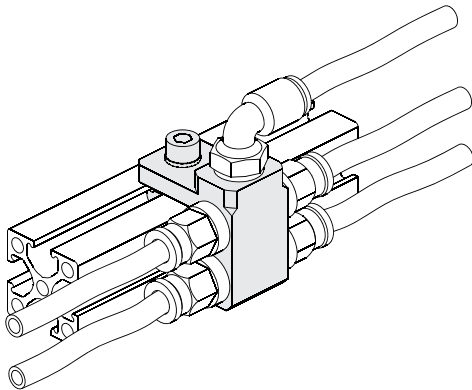
Application Example



Manifold Block

Quick #	Part#	Price	A	B	C	D	Wt.
5771	MFI-A66	\$9.26	30	G1/8" (x5)	18	24	50g
5831	MFI-A67	\$9.63	40	G1/4" (x5)	20	23	80g

Application Example



Manifold Block

Quick#	Part#	Price	Ports	Wt.
5768	MFI-A68	\$11.68	G 1/8" (x5)	30g