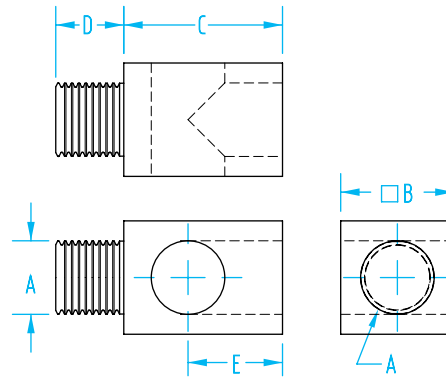


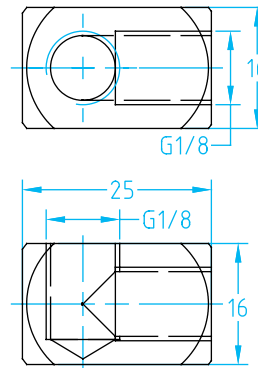
Special Fittings



Special Fittings

Quick#	Part#	Style	A	B	C	D	E	Wt.	Price
751	GSC-MPB-M5	3-way Female M5	M5	7	13	6	8.5	8g	\$8.70
752	GSC-MPB-G8	3-way Female G1/8"	G1/8"	15	21	9	12.5	10g	\$8.90

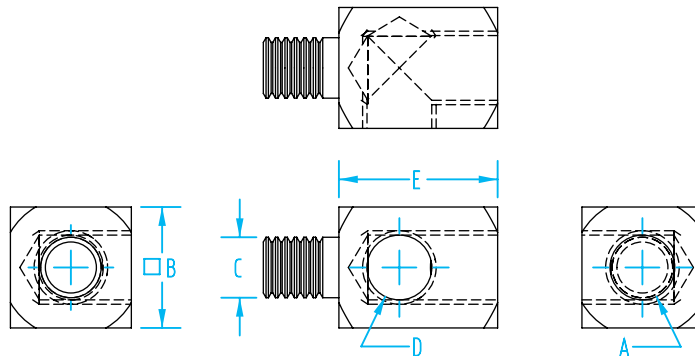
See page 1068 for port plugs.



Special Fittings

Quick#	Part#	Style	Wt.	Price
201	GSF-SEA-G8	Female Elbow G1/8"	11g	\$6.85

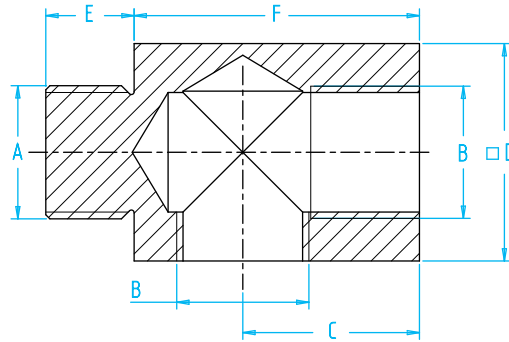
See page 1068 for sealing rings.



Female Adaptor

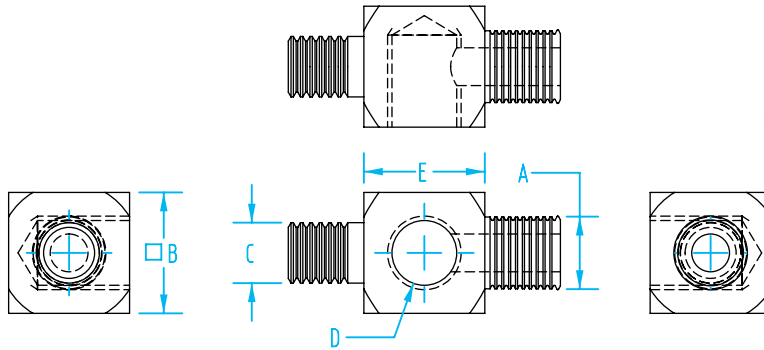
Quick#	Part#	>ASS< #	Price	A	B	C	D	E	Wt.
3299	AVI5i-8-3	1-290-75-00	\$7.35	M5	8	M3	M5	12	4g
3689	AVI5i-8-5	1-290-73-00	\$7.35	M5	8	M5	M5	12	5g
3530	AVI1/8i-16-5	1-290-76-00	\$10.50	G1/8"	16	M5	G1/8"	21	32g
3300	AVI1/8i-16-8	1-290-77-00	\$10.50	G1/8"	16	M8	G1/8"	21	39g
3301	AVI1/4i-16-8	1-290-79-00	\$10.50	G1/4"	16	M8	G1/8"	26	35g

Mounting Adaptors



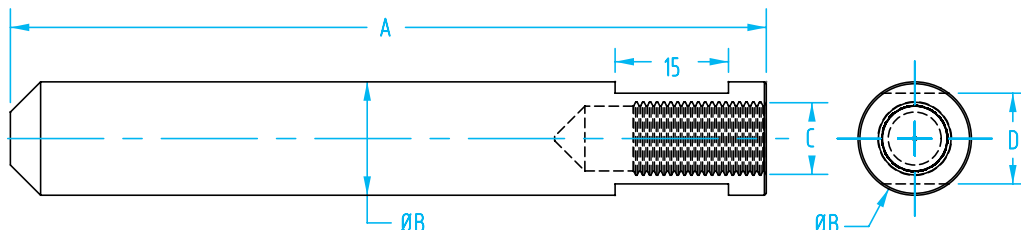
Mounting Adaptor

Quick#	Part#	Price	A	B	C	D	E	F	Wt.
7390	MFI-A365	\$6.14	M3	M5	8	8	4	12	1.6g
7389	MFI-A364	\$6.14	M4	M5	8	8	5	12	1.8g
7387	MFI-A361	\$6.14	M5	M5	8	8	5	14	2.2g
7388	MFI-A362	\$11.79	G1/8"	G1/8"	13	16	6.5	21	11.6g



Male Adaptor

Quick#	Part#	>ASS< #	Price	A	B	C	D	E	Wt.
3302	AVA1/8a-16-6	1-290-81-00	\$10.50	G1/8"	16	M6	G1/8"	16	29g
3303	AVA1/8a-16-8	1-290-83-00	\$10.50	G1/8"	16	M8	G1/8"	16	29g
3304	AVA1/4a-16-6	1-290-85-00	\$10.50	G1/4"	16	M6	G1/8"	16	32g
3305	AVA1/4a-16-8	1-290-87-00	\$10.50	G1/4"	16	M8	G1/8"	16	32g



Other guide pins are available in the Framing Sections; on pages 217 & 262.

Delrin Guide Pins

Quick #	Part #	Price	A	ØB	C	D	Wt.
5213	CP-100-G8	\$15.85	100mm	15	G1/8"	12	21g
5214	CP-100-M16	\$19.35	100mm	25	M16x1	22	32g