

Push-In Fittings

(Shown Actual Size)

Features of Our Best Push-In Fittings

Material is glass filled Nylon.

Full-flow fittings have no internal ϕ D restrictions, even in T's and Elbows.

Body can be swiveled independently from threaded fitting for alignment purposes.

ϕ D in mm matches Tubing ϕ OD.

Integrated O-ring assures long-lasting leak-free seals in vacuum and compressed-air applications.

Metric thread sizes M3, M5, and G1/8".

Our Best full-flow fittings have no internal ϕ D restrictions, even in T's and Elbows.

Best

- Compact, lightweight design
- Parallel thread with soft seal O-ring for the best vacuum seal



Better

- Medium weight
- Medium size
- Soft seal O-ring for a better vacuum seal



Good

- Compact, lightweight design
- Improved tube insertion & removal
- Tapered thread and seal tape for a good vacuum seal

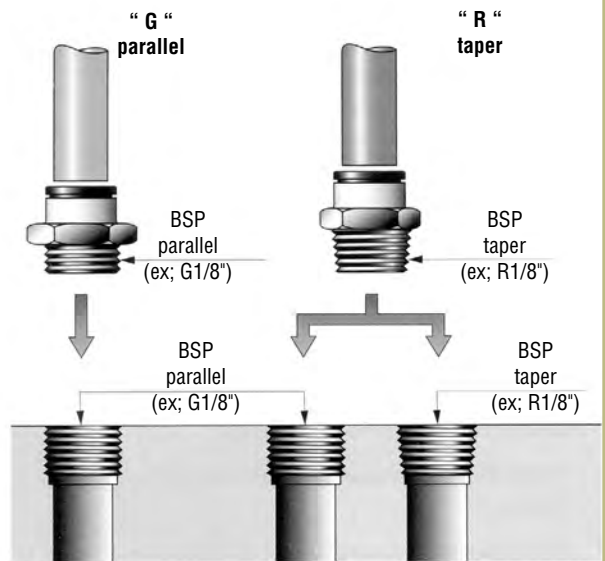


What is G1/8" thread?

G1/8" thread is a British Standard Pipe (BSP) specification. It is used throughout Europe and is frequently used in conjunction with metric M threads. It comes to North American robot end-of-arm tooling via the presence of European robot suppliers.

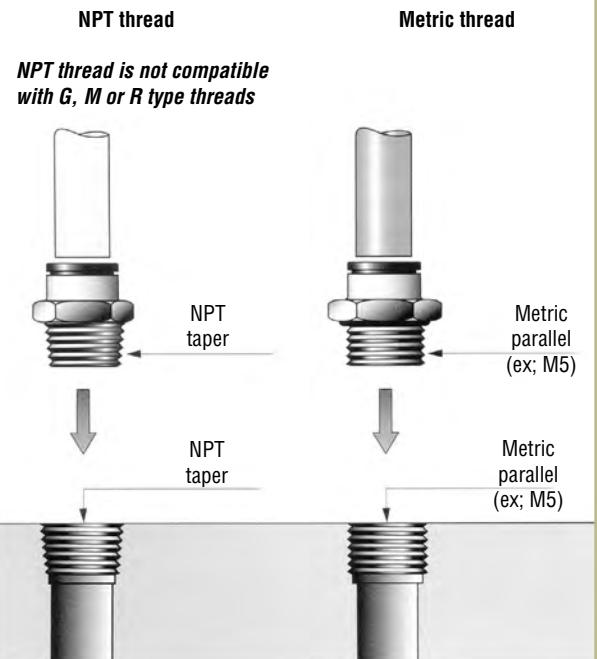
Specifically, G1/8" is a parallel thread having 28 threads per inch. Sealing is ensured by an O-ring or washer ring. (1/8" NPT is a tapered thread with 27 threads per inch.) See adaptor fittings on page 1068. G1/8" taps are available on page 1076.

BSP thread (British Standard Pipe)



Note: Older usage can be as follows: Rp = parallel, Rc = taper

Special Note: M5 fits with 10-32 UNF.



(Shown Actual Size)

Push-In Fittings

Male Threaded Push-In Fitting

	Quick#	Part#	C	øD	Price	E	F1	F2	H	K	Wt.
Best	101	GSF-QMC-M304	M3	4	\$4.27	2.5	8	-	14.5	8.5	3g
	102	GSF-QMC-M504	M5	4	\$3.73	3.5	9	2.5	14	8.5	3g
	103	GSF-QMC-G804	G1/8"	4	\$3.16	4.5	13	3	11.5	14	7g
	104	GSF-QMC-M506	M5	6	\$5.35	3.5	10	2.5	16	11	5g
	105	GSF-QMC-G806	G1/8"	6	\$3.50	4.5	13	4	13	14	7g
	106	GSF-QMC-G808	G1/8"	8	\$5.03	4.5	13	5	20.5	14	11g
	1448	GSF-QMC-G406	G1/4"	6	\$4.03	5.5	16	4	12.5	17.5	11g
	1449	GSF-QMC-G408	G1/4"	8	\$5.06	5.5	16	6	19.5	17.5	16g
	5607	GSF-QMC-G410	G1/4"	10	\$8.91	5.5	16	7	23	17.5	18g
	2001	GSF-QMC-R804	R1/8"	4	\$4.47	-	10	3	9.5	11	6g
2002	GSF-QMC-R806	R1/8"	6	\$3.23	-	11	4	11.5	11	5g	



#102

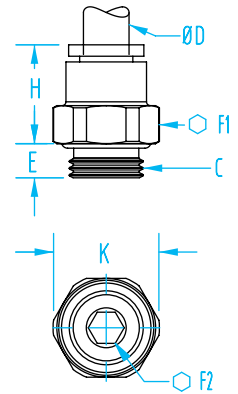


#105



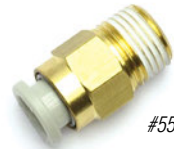
#5509

Note: soft seal O-ring



	Quick#	Part#	C	øD	Price	E	F1	F2	H	K	Wt.
Better	5506	GSF-SMC-M504	M5	4	\$1.15	3	8	-	14.7	9	3.3g
	5507	GSF-SMC-G804	G1/8"	4	\$1.07	5.5	12	-	11.6	13	7.7g
	5508	GSF-SMC-M506	M5	6	\$2.31	3	10	-	14.7	11	4.1g
	5509	GSF-SMC-G806	G1/8"	6	\$1.84	5.5	12	-	11.8	13	6.6g
	5510	GSF-SMC-G406	G1/4"	6	\$2.04	6.5	17	-	8.9	18.2	14.8g
	5511	GSF-SMC-G808	G1/8"	8	\$1.37	5.5	14	-	15.9	16	7.5g
	5512	GSF-SMC-G408	G1/4"	8	\$1.65	6.5	17	-	13.4	18.2	15.5g
	5513	GSF-SMC-G810	G1/8"	10	\$2.44	5.5	17	-	17.7	18.2	15.7g
	5514	GSF-SMC-G410	G1/4"	10	\$1.86	6.5	17	-	16.3	18.2	16.8g

	Quick#	Part#	C	øD	Price	E	F1	F2	H	K	Wt.
Good	5568	GSF-RMC-R804	R1/8"	4	\$1.16	6.5	10	-	7.3	11.5	5.6g
	5569	GSF-RMC-R806	R1/8"	6	\$1.56	6.5	10	-	11.9	11.5	5.8g
	5570	GSF-RMC-R406	R1/4"	6	\$1.56	10	14	-	6.7	16	12.5g
	5571	GSF-RMC-R808	R1/8"	8	\$1.56	6.5	14	-	16	16	11.9g
	5572	GSF-RMC-R408	R1/4"	8	\$1.55	10	14	-	12	16	13.9g
	5573	GSF-RMC-R810	R1/8"	10	\$2.73	6.5	17	-	17.3	19.5	16.9g
	5574	GSF-RMC-R410	R1/4"	10	\$2.53	10	17	-	17.3	19.5	22.1g



#5569

Use Quick#s for easy online ordering.

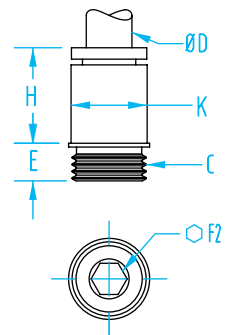
Male Threaded Socket Head Push-In Fitting

	Quick#	Part#	C	øD	Price	E	F1	F2	H	K	Wt.
Better	5501	GSF-SMS-M504	M5	4	\$1.74	3	-	2	14.6	8	3g
	5502	GSF-SMS-M506	M5	6	\$1.83	4	-	3	16.6	10	4.1g
	5503	GSF-SMS-G806	G1/8"	6	\$2.21	5.5	-	4	14.3	13	9.7g
	5504	GSF-SMS-G808	G1/8"	8	\$2.36	5.5	-	5	16.2	13	9.5g
	5505	GSF-SMS-G410	G1/4"	10	\$3.29	6.5	-	8	17.6	18	19.2g



#5503

Note: soft seal O-ring



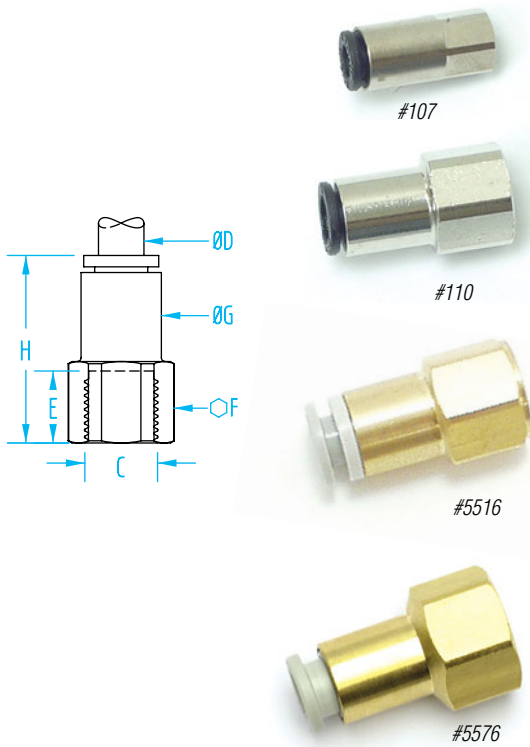
	Quick#	Part#	C	øD	Price	E	F1	F2	H	K	Wt.
Good	5561	GSF-RMS-R804	R1/8"	4	\$1.74	7.3	-	3	13.3	10	8.1g
	5562	GSF-RMS-R806	R1/8"	6	\$1.85	7	-	4	13.3	10	6.5g
	5563	GSF-RMS-R406	R1/4"	6	\$1.91	6.5	-	4	13.3	14	13.4g
	5564	GSF-RMS-R808	R1/8"	8	\$2.10	8.7	-	5	14.2	13	10.2g
	5565	GSF-RMS-R408	R1/4"	8	\$2.03	9	-	6	14.2	14	14.3g
	5566	GSF-RMS-R810	R1/8"	10	\$2.69	8.7	-	5	15.6	15	12g
	5567	GSF-RMS-R410	R1/4"	10	\$2.66	9	-	8	15.6	15	12.4g



#5562

Push-In Fittings

(Shown Actual Size)

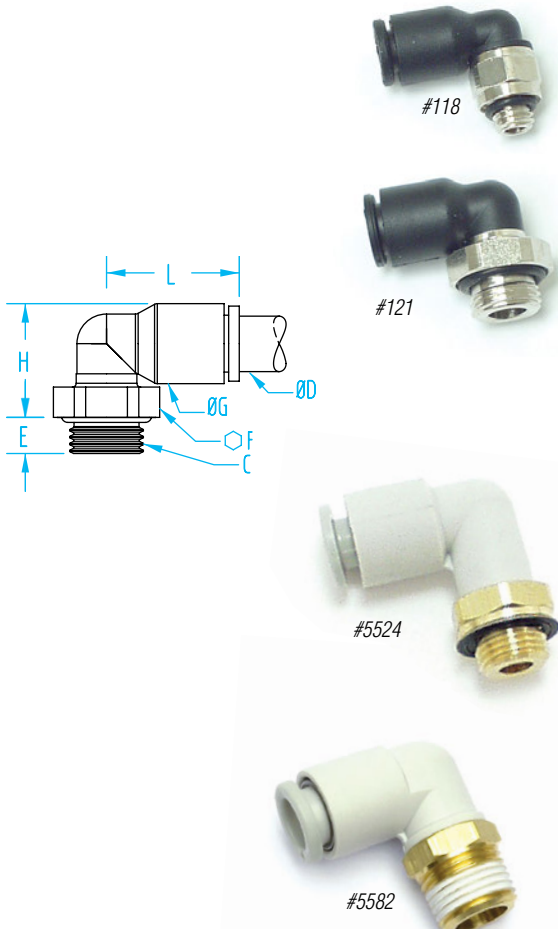


Female Threaded Push-In Fitting

Best	Quick#	Part#	C	øD	Price	E	F	G	H	Wt.
	107	GSF-QFC-M504	M5	4	\$8.68	6.5	8	8.7	19.5	5g
	108	GSF-QFC-M506	M5	6	\$3.23	3.5	8	9.9	14	3g
	109	GSF-QFC-G804	G1/8"	4	\$8.08	9.5	13	8.6	22.5	10g
	110	GSF-QFC-G806	G1/8"	6	\$7.63	9.5	13	10.6	24.5	11g
	111	GSF-QFC-G808	G1/8"	8	\$9.71	9.5	13	13.5	29	20g
	1450	GSF-QFC-G406	G1/4"	6	\$7.91	13.5	16	10.6	28.5	16g
	1451	GSF-QFC-G408	G1/4"	8	\$9.71	13.5	16	13.5	33	27g

Better	Quick#	Part#	C	øD	Price	E	F	G	H	Wt.
	5515	GSF-SFC-G804	G1/8"	4	\$2.76	7.5	14	7.9	24.7	12.4g
	5516	GSF-SFC-G806	G1/8"	6	\$2.76	7.5	14	9.9	24.3	12.6g
	5517	GSF-SFC-G406	G1/4"	6	\$3.16	12	17	9.9	29.6	21.4g
	5518	GSF-SFC-G808	G1/8"	8	\$2.84	7.5	14	12.4	24.7	15.1g
	5519	GSF-SFC-G408	G1/4"	8	\$3.23	12	17	12.4	30.1	24g
	5520	GSF-SFC-G410	G1/4"	10	\$3.38	12	17	14.8	31.1	24.1g

Good	Quick#	Part#	C	øD	Price	E	F	G	H	Wt.
	5575	GSF-RFC-R804	R1/8"	4	\$2.76	8.5	14	7.9	24.1	12g
	5576	GSF-RFC-R806	R1/8"	6	\$2.76	8.5	14	9.9	23.6	12.2g
	5577	GSF-RFC-R406	R1/4"	6	\$3.16	12	17	9.9	28.5	21.6g
	5578	GSF-RFC-R808	R1/8"	8	\$2.84	8.5	14	12.4	24.1	12.9g
	5579	GSF-RFC-R408	R1/4"	8	\$3.23	12	17	12.4	29	22.1g
	5580	GSF-RFC-R410	R1/4"	10	\$3.37	12	17	14.8	30	24.2g



Male Threaded Push-In Elbow Fitting

Best	Quick#	Part#	C	øD	Price	E	F	G	H	L	Wt.
	117	GSF-QME-M304	M3	4	\$5.54	2.5	8	8.5	15	14.5	3g
	118	GSF-QME-M504	M5	4	\$3.75	3.5	8	8.5	13.5	14	3g
	119	GSF-QME-G804	G1/8"	4	\$4.00	5	13	8.5	13	14	7g
	120	GSF-QME-M506	M5	6	\$4.00	3.5	8	10.5	15.5	16	3g
	121	GSF-QME-G806	G1/8"	6	\$4.25	5	13	10.5	15	16	8g
	122	GSF-QME-G808	G1/8"	8	\$8.81	4.5	13	13.5	20.5	23	14g
	1452	GSF-QME-G406	G1/4"	6	\$5.76	5.5	16	10.5	15	16	13g
	1453	GSF-QME-G408	G1/4"	8	\$6.27	5.5	16	13.5	18.5	23	17g
	5608	GSF-QME-G410	G1/4"	10	\$16.05	5.5	16	16	23.5	26.5	30g
	2004	GSF-QME-R804	R1/8"	4	\$5.09	-	10	8.5	13.5	14	6g
	2005	GSF-QME-R806	R1/8"	6	\$3.79	-	10	10.5	15.5	16	6g

Better	Quick#	Part#	C	øD	Price	E	F	G	H	L	Wt.
	5521	GSF-SME-M504	M5	4	\$1.94	3.5	7	8.2	15.9	15.4	3.1g
	5522	GSF-SME-G804	G1/8"	4	\$1.45	5.5	12	8.2	15.4	14.8	6.3g
	5523	GSF-SME-M506	M5	6	\$2.36	3.5	7	10.4	18.7	14.5	3.2g
	5524	GSF-SME-G806	G1/8"	6	\$1.55	5.5	12	10.4	17.6	15.5	6.7g
	5525	GSF-SME-G406	G1/4"	6	\$1.74	6.5	17	10.4	20.1	15.5	17.2g
	5526	GSF-SME-G808	G1/8"	8	\$2.32	5.5	12	13.2	20.4	16.4	7.6g
	5527	GSF-SME-G408	G1/4"	8	\$2.46	6.5	17	13.2	22.9	17.2	15.9g
	5528	GSF-SME-G810	G1/8"	10	\$3.06	5.5	12	15.9	24.9	18.6	10.3g
	5529	GSF-SME-G410	G1/4"	10	\$2.63	6.5	17	15.9	26	19.3	17.5g

Good	Quick#	Part#	C	øD	Price	E	F	G	H	L	Wt.
	5581	GSF-RME-R804	R1/8"	4	\$1.65	6.5	10	8.2	20.3	14.8	4.8g
	5582	GSF-RME-R806	R1/8"	6	\$1.83	6.5	10	10.4	22.5	15.5	5.2g
	5583	GSF-RME-R406	R1/4"	6	\$2.02	10	14	10.4	28	15.5	14.7g
	5584	GSF-RME-R808	R1/8"	8	\$2.60	6.5	10	13.2	25.3	16.4	6.1g
	5585	GSF-RME-R408	R1/4"	8	\$2.74	10	14	13.2	32	17.2	17.7g
	5586	GSF-RME-R810	R1/8"	10	\$3.35	6.5	12	15.9	31.6	18.6	11.1g
	5587	GSF-RME-R410	R1/4"	10	\$2.91	10	17	15.9	36.7	19.3	21.7g

Push-In Fittings

(Shown Actual Size)

Male Threaded Push-In Extended Elbow Fitting

Best	Quick#	Part#	C	øD	Price	E	F	G	H	L	Wt.
	123	GSF-QMX-M504	M5	4	\$4.75	3.5	8	8.5	23	19	7g
	124	GSF-QMX-G804	G1/8"	4	\$5.54	5	13	8.5	22.5	19	9g
	125	GSF-QMX-M506	M5	6	\$6.15	3.5	10	10.5	27.5	23	9g
	126	GSF-QMX-G806	G1/8"	6	\$4.97	5	13	10.5	27	23	12g
	127	GSF-QMX-G808	G1/8"	8	\$7.62	5	13	13.5	36	29.5	25g

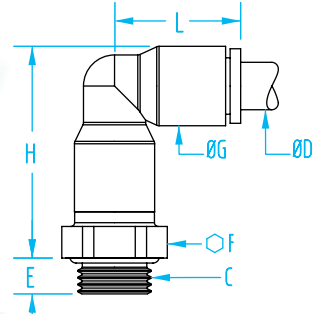


#123



#126

Better	Quick#	Part#	C	øD	Price	E	F	G	H	L	Wt.
	5530	GSF-SMX-M504	M5	4	\$3.56	3	7	8.2	29.8	15.4	5.8g
	5531	GSF-SMX-G804	G1/8"	4	\$3.62	5.5	12	8.2	34.6	14.8	16.5g
	5532	GSF-SMX-M506	M5	6	\$3.67	3	7	10.4	32.6	14.5	5.9g
	5533	GSF-SMX-G806	G1/8"	6	\$2.74	5.5	12	10.4	36.8	15.5	17g
	5534	GSF-SMX-G406	G1/4"	6	\$3.00	6.5	17	10.4	37.5	15.5	36.2g
	5535	GSF-SMX-G808	G1/8"	8	\$3.76	5.5	12	13.2	39.6	16.4	17.8g
	5536	GSF-SMX-G408	G1/4"	8	\$3.48	6.5	17	13.2	43.1	17.2	37.5g
5537	GSF-SMX-G410	G1/4"	10	\$5.26	6.5	17	15.9	56.8	19.3	45.1g	



#5533

Good	Quick#	Part#	C	øD	Price	E	F	G	H	L	Wt.
	5588	GSF-RMX-R804	R1/8"	4	\$3.90	6.5	10	8.2	34	14.8	11g
	5589	GSF-RMX-R806	R1/8"	6	\$3.94	6.5	10	10.4	36.2	15.5	11.4g
	5590	GSF-RMX-R406	R1/4"	6	\$4.05	10	14	10.4	39.6	15.5	28g
	5591	GSF-RMX-R808	R1/8"	8	\$4.05	6.5	10	13.2	39	16.4	12.2g
	5592	GSF-RMX-R408	R1/4"	8	\$4.27	10	14	13.2	45.7	17.2	40g
5593	GSF-RMX-R410	R1/4"	10	\$5.55	10	17	15.9	60.9	19.3	59g	



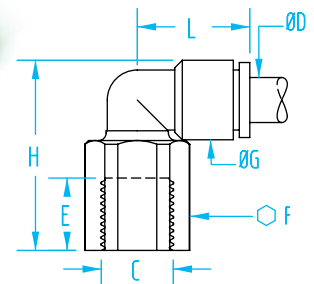
#5589

Female Threaded Push-In Elbow Fitting

Best	Quick#	Part#	C	øD	Price	E	F	G	H	L	Wt.
	133	GSF-QFE-M504	M5	4	\$3.80	11.5	9	8	19.5	15.5	5g
	134	GSF-QFE-M506	M5	6	\$3.80	11.5	9	10.5	22	14.5	5g
	135	GSF-QFE-G804	G1/8"	4	\$5.44	8.5	13	8.5	23	14	9g
	136	GSF-QFE-G806	G1/8"	6	\$3.70	8.5	13	10.5	25	16	11g
	137	GSF-QFE-G808	G1/8"	8	\$4.58	8.5	13	13.5	28	23	14g
	1454	GSF-QFE-G406	G1/4"	6	\$5.90	11.5	16	10.5	29	16	11g
	1455	GSF-QFE-G408	G1/4"	8	\$5.48	11.5	16	13.5	32	23	17g



#136



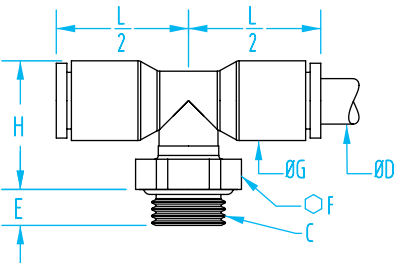
Good	Quick#	Part#	C	øD	Price	E	F	G	H	L	Wt.
	5538	GSF-SFE-M504	M5	4	\$2.70	4.5	8	8.2	19.4	15.4	4.7g
	5539	GSF-SFE-M506	M5	6	\$2.70	4.5	8	10.4	22.2	14.5	4.8g
	5594	GSF-RFE-R804	R1/8"	4	\$4.00	6.5	14	8.2	26.5	14.8	17.6g
	5595	GSF-RFE-R806	R1/8"	6	\$2.31	6.5	14	10.4	28.7	15.5	18g
	5596	GSF-RFE-R406	R1/4"	6	\$2.54	9.5	17	10.4	33.2	15.5	30.1g
	5597	GSF-RFE-R808	R1/8"	8	\$2.51	6.5	14	13.2	31.5	16.4	18.8g
	5598	GSF-RFE-R408	R1/4"	8	\$2.92	9.5	17	13.2	35.4	17.2	28.7g
	5599	GSF-RFE-R410	R1/4"	10	\$3.74	9.5	17	15.9	35.4	19.3	26.4g



#5595

Push-In Fittings

(Shown Actual Size)



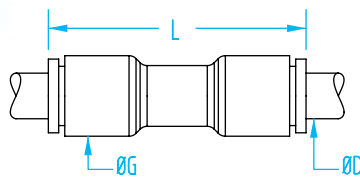
Male Threaded Push-In T Fitting

Best	Quick#	Part#	C	øD	Price	E	F	G	H	L	Wt.
	141	GSF-QBT-M304	M3	4	\$6.27	2.5	8	8.5	15	29	3g
	142	GSF-QBT-M504	M5	4	\$7.48	3.5	8	8.5	17.5	28	4g
	143	GSF-QBT-G804	G1/8"	4	\$5.48	5	13	8.5	15	28	8g
	144	GSF-QBT-M506	M5	6	\$7.18	3.5	8	10.5	19.5	32	6g
	145	GSF-QBT-G806	G1/8"	6	\$6.00	5	13	10.5	17	32	8g
	146	GSF-QBT-G808	G1/8"	8	\$10.41	4.5	13	13.5	23.5	46	17g
	1456	GSF-QBT-G406	G1/4"	6	\$7.12	5.5	16	10.5	17	32	15g
	1457	GSF-QBT-G408	G1/4"	8	\$10.85	5.5	16	13.5	21.5	46	20g
	5609	GSF-QBT-G410	G1/4"	10	\$19.61	5.5	16	16	26	53	21g
	2013	GSF-QBT-R804	R1/8"	4	\$7.29	-	10	8.5	15.5	28	7g
2014	GSF-QBT-R806	R1/8"	6	\$7.74	-	10	10.5	17.5	32	9g	

Better	Quick#	Part#	C	øD	Price	E	F	G	H	L	Wt.
	5540	GSF-SBT-M504	M5	4	\$2.95	3	7	8.2	15.9	30.8	3.9g
	5541	GSF-SBT-G804	G1/8"	4	\$2.28	5.5	12	8.2	15.4	29.6	7g
	5542	GSF-SBT-M506	M5	6	\$2.82	3	7	10.4	18.7	29	4.4g
	5543	GSF-SBT-G806	G1/8"	6	\$2.54	5.5	12	10.4	17.6	31	7.6g
	5544	GSF-SBT-G406	G1/4"	6	\$2.54	6.5	17	10.4	20.1	31	18.1g
	5545	GSF-SBT-G808	G1/8"	8	\$3.21	5.5	12	13.2	20.4	32.8	9.4g
	5546	GSF-SBT-G408	G1/4"	8	\$3.57	6.5	17	13.2	22.9	34.4	17.6g
	5547	GSF-SBT-G810	G1/8"	10	\$4.31	5.5	12	15.9	24.9	37.2	13.1g
	5548	GSF-SBT-G410	G1/4"	10	\$3.99	6.5	17	15.9	26	53	20.1g

Good	Quick#	Part#	C	øD	Price	E	F	G	H	L	Wt.
	5600	GSF-RBT-R804	R1/8"	4	\$2.56	6	10	8.2	14.3	29.6	5.5g
	5601	GSF-RBT-R806	R1/8"	6	\$2.82	6	10	10.4	16.5	31	6.1g
	5602	GSF-RBT-R406	R1/4"	6	\$2.82	10	14	10.4	18	31	15.6g
	5603	GSF-RBT-R808	R1/8"	8	\$3.49	6	10	13.2	19.3	32.8	7.9g
	5604	GSF-RBT-R408	R1/4"	8	\$3.84	10	14	13.2	22	34.4	19.4g
	5605	GSF-RBT-R810	R1/8"	10	\$4.60	6	12	15.9	25.5	37.2	13.9g
	5606	GSF-RBT-R410	R1/4"	10	\$4.27	10	17	15.9	26.5	38.6	24.3g

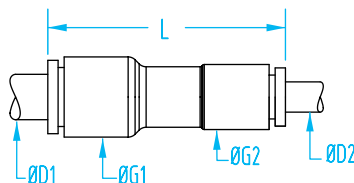
Use Quick#s for easy online ordering.



Straight Push-In Union

Quick#	Part#	øD	Price	G	L	Wt.
112	GSF-QSU-04	4	\$2.66	8.5	25	2g
113	GSF-QSU-06	6	\$3.22	10.5	28.5	4g
114	GSF-QSU-08	8	\$3.80	13.5	38	7g
5611	GSF-QSU-10	10	\$8.36	16	42	9g

Quick#	Part#	øD	Price	G	L	Wt.
5549	GSF-SSU-04	4	\$1.84	11	32.5	3g
5550	GSF-SSU-06	6	\$1.85	13	35	4g
5551	GSF-SSU-08	8	\$2.23	15.5	39	6g
5552	GSF-SSU-10	10	\$2.91	19	43	11g



Reducer Push-In Union

Quick#	Part#	øD1	øD2	Price	G1	G2	L	Wt.
115	GSF-QRU-0604	6	4	\$5.71	11	8.5	28	8g
116	GSF-QRU-0806	8	6	\$6.16	13.5	13.5	38	12g
5469	GSF-QRU-1008	10	8	\$8.19	16	16	42	20g

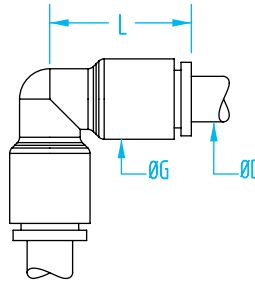
(Shown Actual Size)

Push-In Fittings

Elbow Push-In Union

Quick#	Part#	øD	Price	G	L	Wt.
138	GSF-QEU-04	4	\$4.24	8.5	19	2g
139	GSF-QEU-06	6	\$3.50	10.5	22.5	4g
140	GSF-QEU-08	8	\$5.71	13.5	29.5	7g
5610	GSF-QEU-10	10	\$11.53	16	34.5	15g

Quick#	Part#	øD	Price	G	L	Wt.
5553	GSF-SEU-04	4	\$1.95	10.5	18	6g
5554	GSF-SEU-06	6	\$2.13	13	20	6g
5555	GSF-SEU-08	8	\$2.53	15.5	23	10g
5556	GSF-SEU-10	10	\$3.82	19	36.5	17g



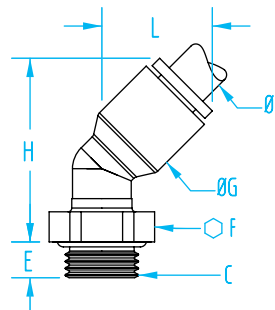
#138



#5553

Male Threaded Push-In 45° Elbow Fitting

Quick#	Part#	C	øD	Price	E	F	G	H	L	Wt.
128	GSF-QMA-M504	M5	4	\$3.50	3.5	8	9	23	13	5g
129	GSF-QMA-G804	G1/8"	4	\$4.93	4.5	13	9	25	13	8g
130	GSF-QMA-M506	M5	6	\$3.79	3.5	8	11	30	14.5	5g
131	GSF-QMA-G806	G1/8"	6	\$3.79	4.5	13	11	28.5	14.5	8g
132	GSF-QMA-G808	G1/8"	8	\$6.55	4.5	13	13.5	36	19.5	16g



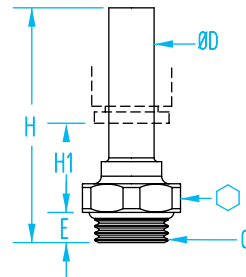
#128



#131

Male Threaded Push-In Standpipe Fitting

Quick#	Part#	C	øD	Price	E	F	H	H1	Wt.
184	GSF-QSC-M504	M5	4	\$9.71	3.5	8	31	16	2g
185	GSF-QSC-G804	G1/8"	4	\$13.24	5	13	30	13.5	6g
186	GSF-QSC-G806	G1/8"	6	\$11.79	5	13	32	13.5	6g
187	GSF-QSC-G808	G1/8"	8	\$11.31	5	13	35.5	12.5	6g
1458	GSF-QSC-G406	G1/4"	6	\$12.71	5.5	16	33	13.5	11g
1459	GSF-QSC-G408	G1/4"	8	\$14.31	5.5	16	34.5	10.5	12g



#186

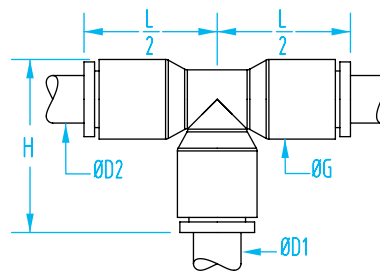
Push-In T

Quick#	Part#	øD1	øD2	Price	G	H	L	Wt.
147	GSF-QTU-04	4	4	\$3.90	8.5	19	29	4g
148	GSF-QTU-06	6	6	\$4.70	10.5	22.5	25	6g
149	GSF-QTU-08	8	8	\$5.54	13.5	29.5	46	9g
5613	GSF-QTU-10	10	10	\$17.06	16	34.5	53	14g

Reducer Push-In T

150	GSF-QTU-0604	6	4	\$4.69	10.5	22.5	35	6g
151	GSF-QTU-0406	4	6	\$4.69	10.5	22.5	35	6g
152	GSF-QTU-0806	8	6	\$8.70	13.5	29.5	46	9g
153	GSF-QTU-0608	6	8	\$5.91	13.5	29.5	46	9g
5612	GSF-QTU-1008	10	8	\$17.06	16	34.5	53	19g

Quick#	Part#	øD	Price	G	H	L	Wt.
5557	GSF-STU-04	4	\$2.30	10.5	27	36	7g
5558	GSF-STU-06	6	\$2.80	13	29.5	42	10g
5559	GSF-STU-08	8	\$3.32	15.5	33	47	15g
5560	GSF-STU-10	10	\$4.18	19	37.5	53	25g



#148



#5558