

## Silicone – Oval 2.5 Bellows

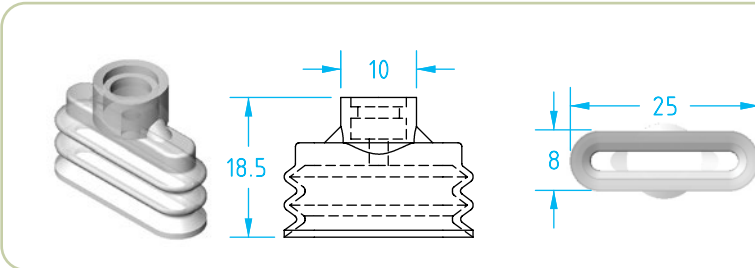


Oval bellows cups can be used on medium contour surfaces without using special angle adjusting mounting brackets.

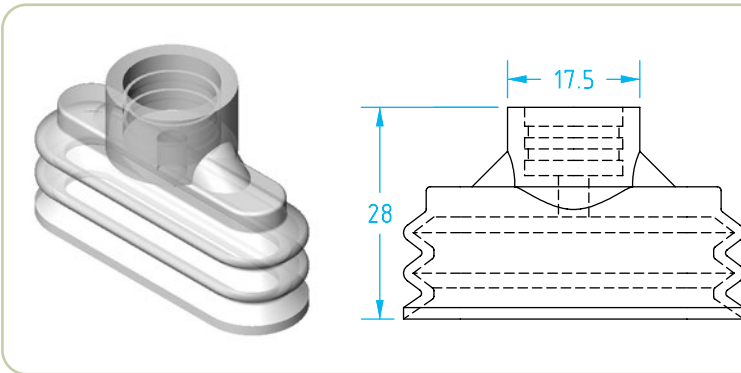
The 2.5 bellows provide extra compression that can sometimes be used in place of expensive non-rotating suspensions.

Oval Bellows Vacuum Cup Properties

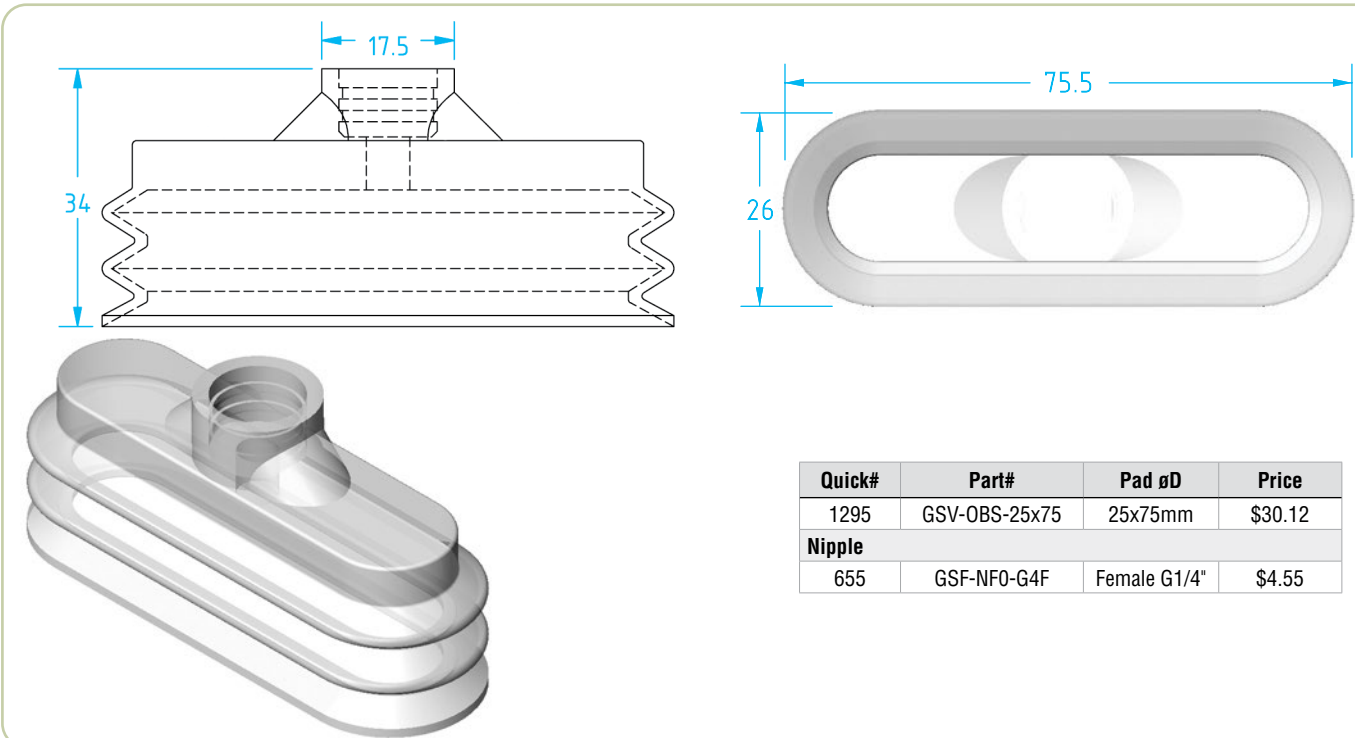
Material	Color	Max Temp.	Durometer
Silicone	Semi-translucent clear	392°F	55°



Quick#	Part#	Pad øD	Price
1293	GSV-OBS-8x25	8x25mm	\$16.95
<b>Nipple</b>			
649	GSF-NF8-M5M	Male M5	\$4.08
651	GSF-NF9-G8M	Male G1/8"	\$4.75
652	GSF-NF9-G8F	Female G1/8"	\$4.92



Quick#	Part#	Pad øD	Price
1294	GSV-OBS-15x45	15x45mm	\$20.85
<b>Nipple</b>			
655	GSF-NF0-G4F	Female G1/4"	\$4.55



Quick#	Part#	Pad øD	Price
1295	GSV-OBS-25x75	25x75mm	\$30.12
<b>Nipple</b>			
655	GSF-NF0-G4F	Female G1/4"	\$4.55