

## >S< Style – Foam Surface – 1.5 Bellow

(Shown Actual Size)

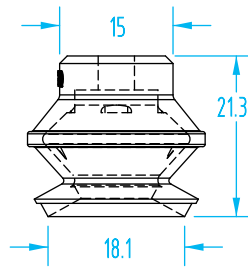
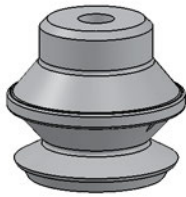


Foam cups are designed for gripping products with an uneven or ridged surface such as metal sheets or flat surfaces with bumps or hollows. Heat-resistant silicone cups have a temperature range up to 428°F, and don't leave marks on products handled. Silicone foam cups are not recommended for gripping products before painting or coating.

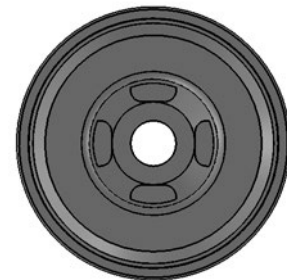
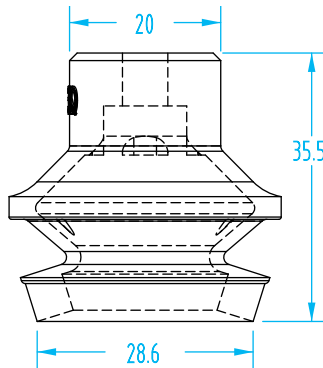
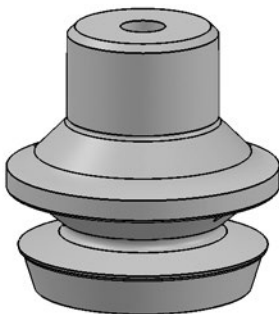
Foam Vacuum Cup Properties

Material	Color	Max Temp.	Cup Durometer
Nitrile	Black	176°	60°
Silicone	Clear	428°	50°

See page 372 for nipple dimensions.



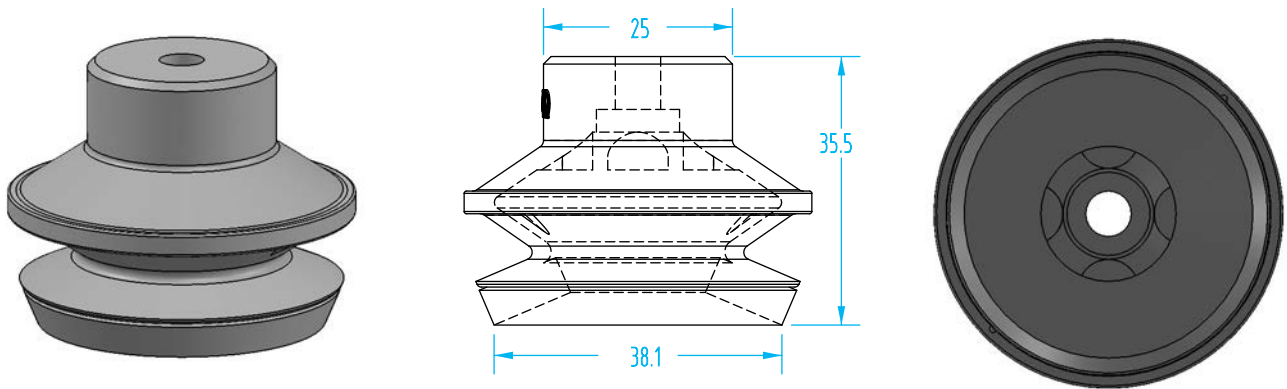
Cup Ø	Material	Quick#	Part#	Price
20mm	Nitrile	1059	VSAG-20-BNBR-BM	\$15.50
	Silicone	1060	VSAG-20-BSI-BM	\$18.10
Nipple	G1/8" Male	1604	GSF-PFN-G8M	\$3.80
	G1/8" Female	1603	GSF-PFN-G8F	\$3.80



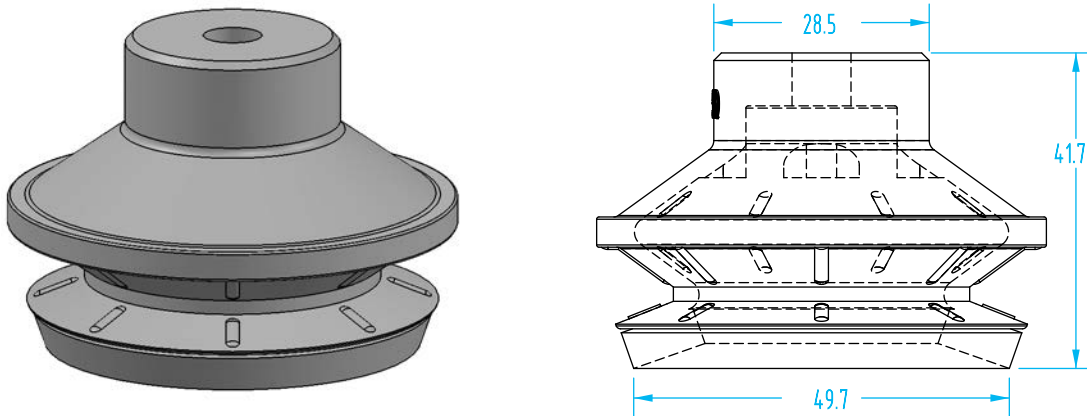
Cup Ø	Material	Quick#	Part#	Price
30mm	Nitrile	1061	VSAG-30-NBR-BM	\$16.00
	Silicone	1062	VSAG-30-SI-BM	\$19.00
Nipple	G1/8" Male	3292	VSA60	\$3.17
	G1/8" Female	5180	VSA60F	\$3.33

**>S< Style – Foam Surface – 1.5 Bellow**

(Shown Actual Size)



Cup Ø	Material	Quick#	Part#	Price
40mm	Nitrile	1063	VSAG-40-NBR-BM	\$19.20
	Silicone	1064	VSAG-40-SI-BM	\$22.00
<b>Nipple</b>	G1/8" Male	3292	VSA60	\$3.17
	G1/8" Female	5180	VSA60F	\$3.33



Cup Ø	Material	Quick#	Part#	Price
50mm	Nitrile	1065	VSAG-50-NBR-BM	\$20.40
	Silicone	1066	VSAG-50-SI-BM	\$26.10
<b>Nipple</b>	G1/8" Male	3294	VSA80	\$3.50
	G1/8" Female	5182	VSA80F	\$3.50