

# SMC® – Deep Cups

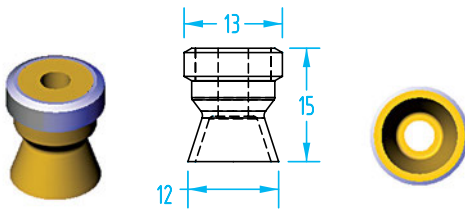
(Shown Actual Size)



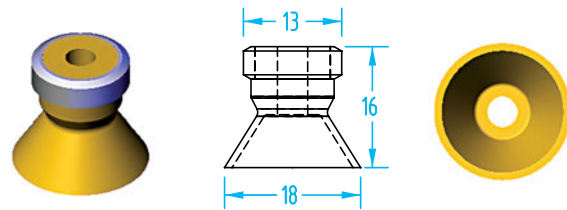
SMC Vacuum Cup Properties

Material	Color	Max Temp.	Durometer
Silicone	Semi-translucent white	392°F	40°
Polyurethane	Semi-translucent gold	140°F	60°
Nitrile	Black	180°F	50°

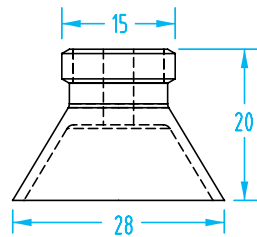
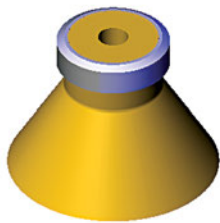
Use Quick#s for easy online ordering.



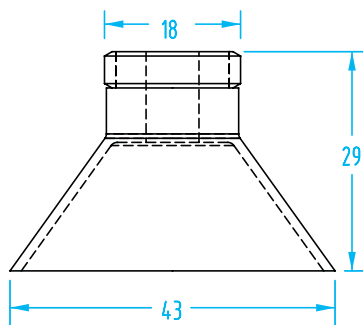
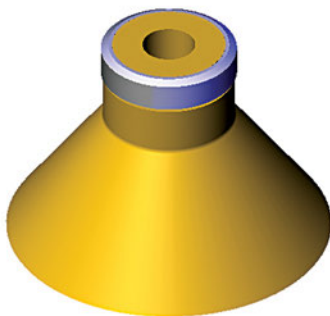
Cup Ø	Material	Quick#	Part#	Price
10mm	Silicone	2521	ZP10DS	\$6.30
	Polyurethane	2555	ZP10DU	\$7.00
	Nitrile	2632	ZP10DN	\$6.05



Cup Ø	Material	Quick#	Part#	Price
16mm	Silicone	2522	ZP16DS	\$6.65
	Polyurethane	2556	ZP16DU	\$7.35
	Nitrile	2633	ZP16DN	\$6.40



Cup Ø	Material	Quick#	Part#	Price
25mm	Silicone	2523	ZP25DS	\$6.65
	Polyurethane	2557	ZP25DU	\$7.35
	Nitrile	2634	ZP25DN	\$6.40



Cup Ø	Material	Quick#	Part#	Price
40mm	Silicone	2524	ZP40DS	\$3.85
	Polyurethane	2558	ZP40DU	\$4.80
	Nitrile	2635	ZP40DN	\$3.40