

## Multi-Purpose Polyurethane Vacuum Cups – PIAB MX



The MX suction cups are outstanding for picking various objects of different materials. Designed primarily for logistics, warehousing, e-commerce, and recycling applications – this is a truly multi-purpose suction cup with extreme gripping capabilities.

- Sturdy bellows. Soft, thin lip.
- Made from Piab's Duraflex material.
- Wear resistant polyurethane.
- “Mark Free” capabilities.
- Exceptional sealing capabilities at lower vacuum levels.

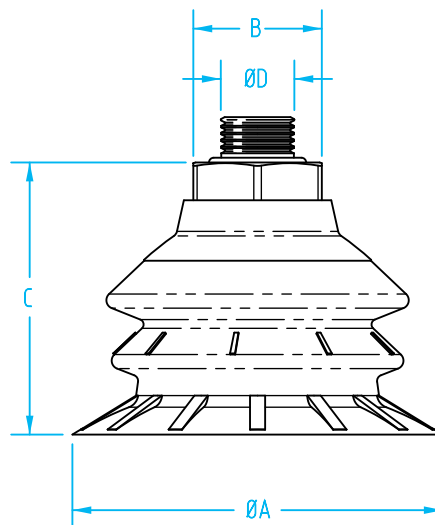
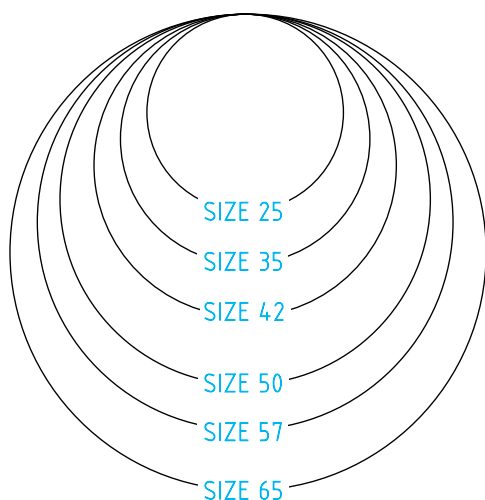
PIAB MX Vacuum Cup Properties

Material	Color	Max Temp.	Durometer
Dual Durometer Polyurethane	Semi-translucent Blue / Yellow	122°F	30/60



## Multi-Purpose Polyurethane Vacuum Cups – PIAB MX

(Dimensioned drawings shown full scale)



Quick#	Part#	ØA Diameter Cup	B (mm)	C (mm)	ØD (Nipple Included)	Price
8516	GSV-MX25-DD-G18M	26mm	15	22	G1/8 Male / M5 Female	\$34.32
8501	GSV-MX35-DD-G18M	33mm	17	31	G1/8" Male	\$42.92
8502	GSV-MX35-DD-G14M		22	32	G1/4" Male	\$42.92
8503	GSV-MX35-DD-G38M		22	32	G3/8" Male	\$42.92
8504	GSV-MX42-DD-G18M	40mm	17	34.5	G1/8" Male	\$49.97
8505	GSV-MX42-DD-G14M		22	35.5	G1/4" Male	\$49.97
8506	GSV-MX42-DD-G38M		22	35.5	G3/8" Male	\$49.97
8507	GSV-MX50-DD-G18M	49mm	17	36	G1/8" Male	\$57.00
8508	GSV-MX50-DD-G14M		22	37	G1/4" Male	\$57.00
8509	GSV-MX50-DD-G38M		22	37	G3/8" Male	\$57.00
8510	GSV-MX57-DD-G18M	55mm	17	39.75	G1/8" Male	\$64.04
8511	GSV-MX57-DD-G14M		22	40.75	G1/4" Male	\$64.04
8512	GSV-MX57-DD-G38M		22	40.75	G3/8" Male	\$64.04
8513	GSV-MX65-DD-G18M	63mm	17	43	G1/8" Male	\$71.08
8514	GSV-MX65-DD-G14M		22	44	G1/4" Male	\$71.08
8515	GSV-MX65-DD-G38M		22	44	G3/8" Male	\$71.08

Use Quick#s for easy online ordering.

### PIAB PiGRIP® Configurable Vacuum Cups with Replacement Lips

[Click here to Shop!](#)



The piGRIP is a unique configurable suction cup concept with individually optimized parts for gripping, lifting and height compensation. Also, a large selection of fittings makes it ready to fit new machines and easy to retrofit existing cups. Find these and more online at [www.EMICorp.com](http://www.EMICorp.com).

