

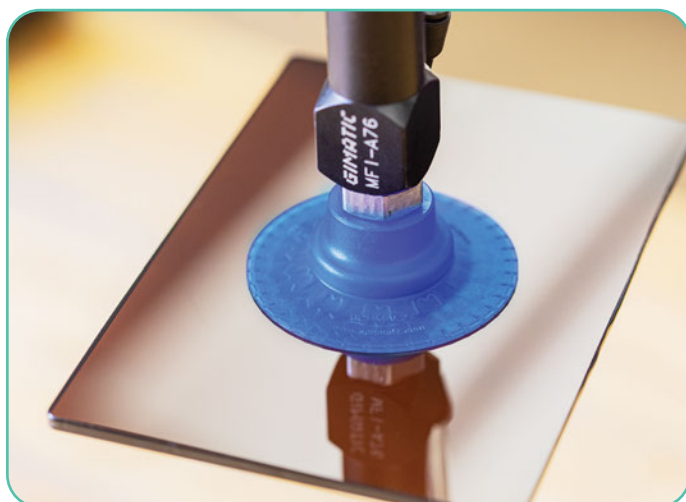
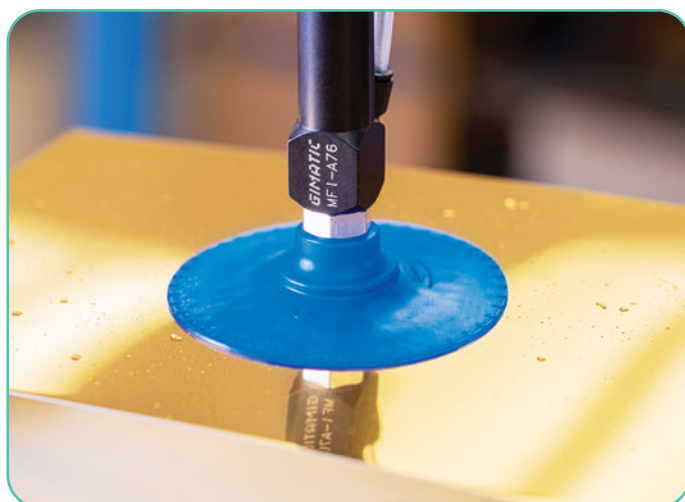
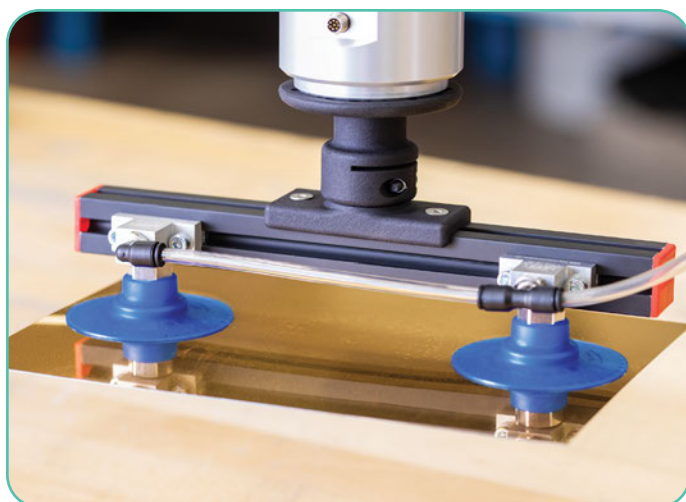
Sheet Metal Elastodur Vacuum Cups – Schmalz SAXM

The SAXM sheet metal vacuum cups by Schmalz are an ideal solution for handling sheet metal. The unique cleat design allows these cups to have a higher shear gripping force when the surface of the workpiece is covered with oils or lubricants.

- Bell shaped cups adapt well to contoured surfaces.
- Higher lateral holding force when part surface is oily.
- Excellent wear resistance due to high durometer materials.
- Sold with preinstalled nipples.

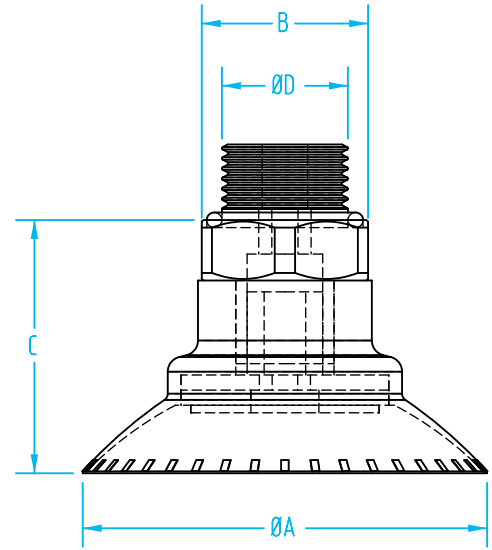
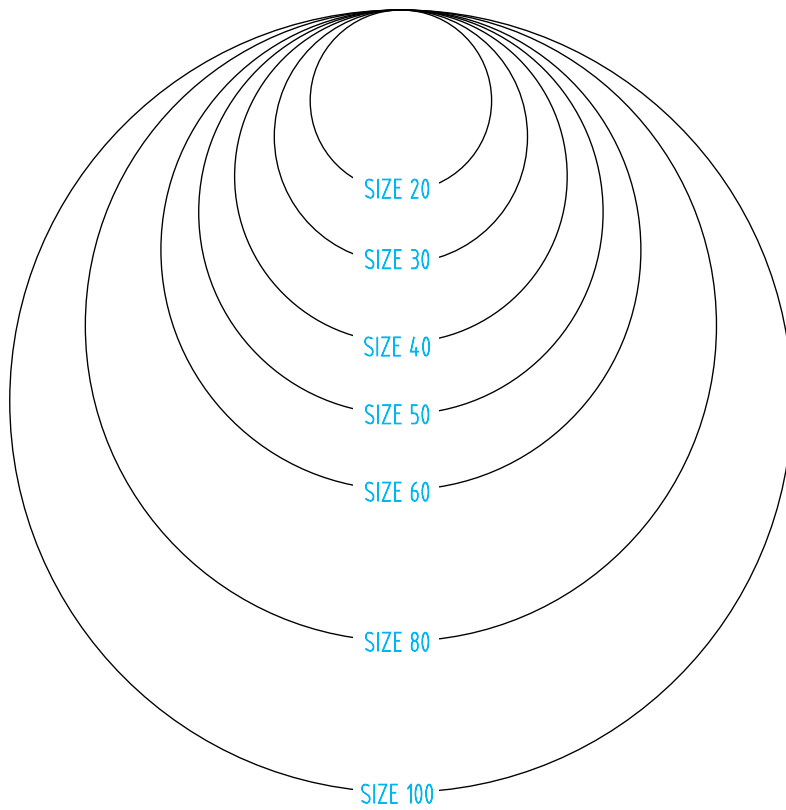
Schmalz SAXM Vacuum Cup Properties

Material	Color	Max Temp.	Durometer
Elastodur	Blue	212°F	85°



Sheet Metal Elastodur Vacuum Cups – Schmalz SAXM

(Dimensioned drawings shown full scale)

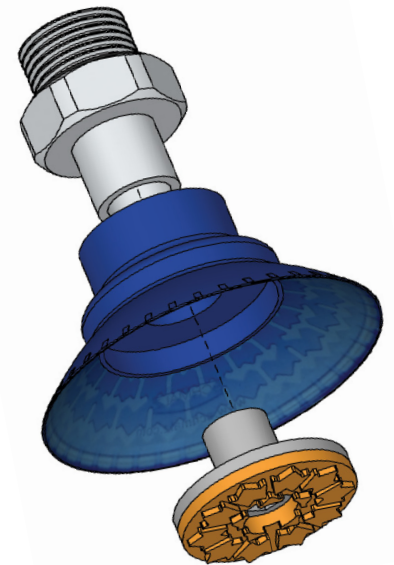


- CU
- QC
- VG
- VC**
- VA
- SG
- GR
- MT
- AC
- CS
- CC

Schmalz SAXM Vacuum Cups

Quick#	Part#	ØA Diameter Cup	ØB (mm)	C (mm)	ØD (Nipple Included)	Price
8709	GSV-SAXM-20-G14F	24mm	17	34	G1/4" Female	\$26.98
8710	GSV-SAXM-20-G14M		17	24	G1/4" Male	\$27.54
8711	GSV-SAXM-20-G38F		22	34	G3/8" Female	\$27.11
8712	GSV-SAXM-20-G38M		22	24.5	G3/8" Male	\$28.34
8713	GSV-SAXM-30-G14F	33.5mm	17	35	G1/4" Female	\$27.88
8714	GSV-SAXM-30-G14M		17	25	G1/4" Male	\$26.84
8715	GSV-SAXM-30-G38F		22	35	G3/8" Female	\$28.09
8716	GSV-SAXM-30-G38M		22	25.5	G3/8" Male	\$28.41
8717	GSV-SAXM-40-G14F	44mm	17	37.5	G1/4" Female	\$28.54
8718	GSV-SAXM-40-G14M		17	27.5	G1/4" Male	\$27.44
8719	GSV-SAXM-40-G38F		22	37.5	G3/8" Female	\$28.76
8720	GSV-SAXM-40-G38M		22	28	G3/8" Male	\$29.03
8721	GSV-SAXM-50-G14F	53.5mm	17	43	G1/4" Female	\$29.96
8722	GSV-SAXM-50-G14M		17	33	G1/4" Male	\$28.83
8723	GSV-SAXM-50-G38F		22	43	G3/8" Female	\$30.36
8724	GSV-SAXM-50-G38M		22	33.5	G3/8" Male	\$30.88
8725	GSV-SAXM-60-G38F	63.5mm	22	45.5	G3/8" Female	\$31.96
8726	GSV-SAXM-60-G38M		22	36	G3/8" Male	\$32.55
8727	GSV-SAXM-80-G38F	83.5mm	22	48.5	G3/8" Female	\$34.67
8728	GSV-SAXM-80-G38M		22	39	G3/8" Male	\$35.42
8729	GSV-SAXM-100-G38F	103.5mm	22	56.5	G3/8" Female	\$38.24
8730	GSV-SAXM-100-G38M		22	47	G3/8" Male	\$38.95

Use Quick#s for easy online ordering.



Special inner structure (shown here) for maximum holding force at high accelerations, especially on oily sheets