

Vacuum Generator – Schmalz SBP



#8798



#8792

The Schmalz SBP vacuum generator is a compact, lightweight aluminum housing that is optimized for decentralized vacuum supply in highly dynamic processes. It has an integrated ejector module for energy efficient vacuum generation over a fine power gradation of six levels.

- Powerful but energy-efficient vacuum generation.
- Available in three performance classes and two variants: optimized for airtight (HV) or porous (HF) workpieces.
- Working vacuum is reached very quickly, leakages are safely compensated.
- Long service intervals, as insensitive to dirt; easy cleaning.
- Assemblies available with and without silencer. Part numbers with SD include a silencer.
- Standard Supply Pressure: 4 Bar / 58 psi.
- Maximum Operating Pressure: 6 Bar / 87psi.

Schmalz SBP Vacuum Generator

Quick#	Part#	Price	Type	Max Vacuum Level*	Max Suction Flow*		Air Consumption*		Wt
					CFM	l/min	CRM	l/min	
8792	SBP-HF-2-03-7	\$83.66	2 Stage, Size 7	55%	0.54 CFM	15.3 l/min	0.18 CFM	5 l/min	28.7g
8793	SBP-HF-2-06-13-SD	\$122.72	2 Stage, Size 13	70%	1.50 CFM	42.5 l/min	0.66 CFM	18.7 l/min	90.9g
8794	SBP-HF-3-06-13-SD	\$139.12	3 Stage, Size 13	70%	2.38 CFM	67.3 l/min	0.66 CFM	18.7 l/min	95.6g
8795	SBP-HF-2-13-22-SD	\$254.91	2 Stage, Size 22	61%	6.19 CFM	175.3 l/min	2.61 CFM	74 l/min	276.6g
8796	SBP-HF-3-13-22-SD	\$302.94	3 Stage, Size 22	61%	10.51 CFM	297.6 l/min	2.61 CFM	74 l/min	295g
8797	SBP-HV-2-04-7	\$83.66	2 Stage, Size 7	79%	0.47 CFM	13.2 l/min	0.23 CFM	6.5 l/min	28.7g
8798	SBP-HV-2-07-13-SD	\$124.07	2 Stage, Size 13	85%	1.50 CFM	42.5 l/min	0.83 CFM	23.5 l/min	90.9g
8799	SBP-HV-3-07-13-SD	\$143.55	3 Stage, Size 13	85%	2.71 CFM	76.8 l/min	0.83 CFM	23.5 l/min	95.6g
8800	SBP-HV-2-16-22-SD	\$260.55	2 Stage, Size 22	90%	5.39 CFM	152.6 l/min	3.64 CFM	103 l/min	276.6g
8801	SBP-HV-3-16-22-SD	\$305.78	3 Stage, Size 22	90%	10.90 CFM	308.8 l/min	3.64 CFM	103 l/min	295g

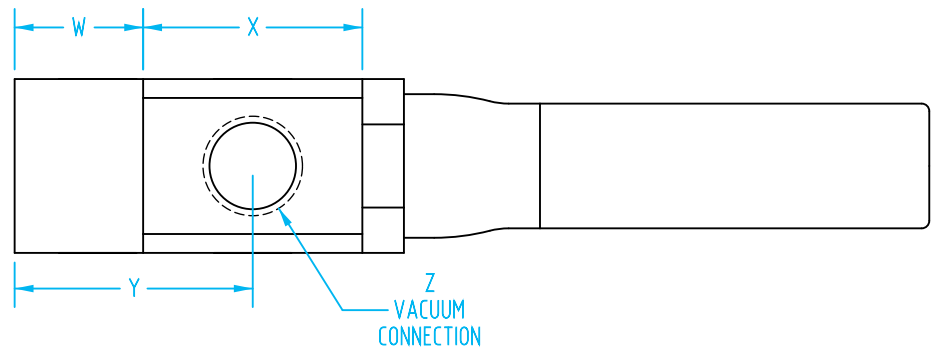
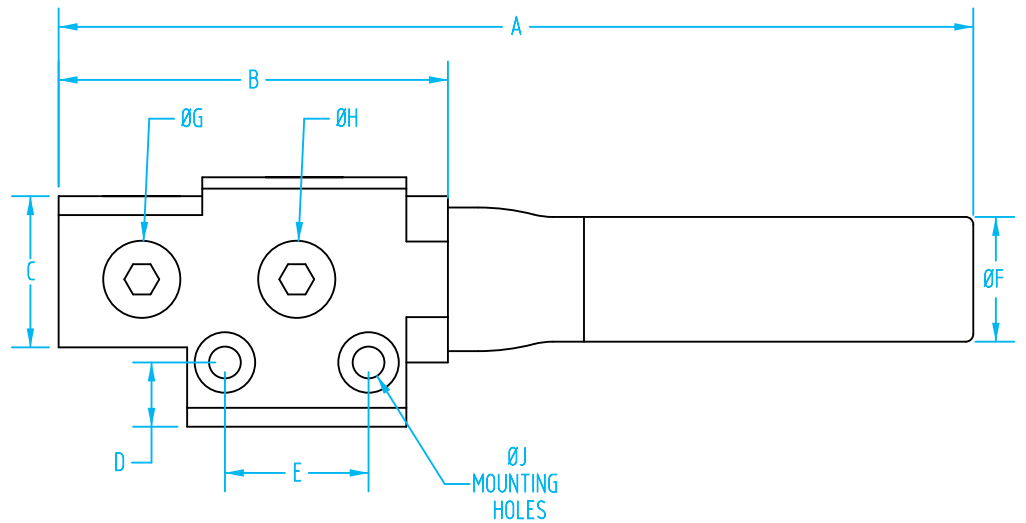
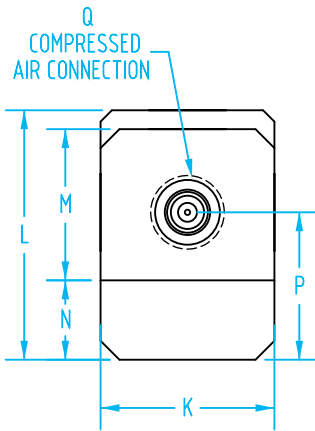
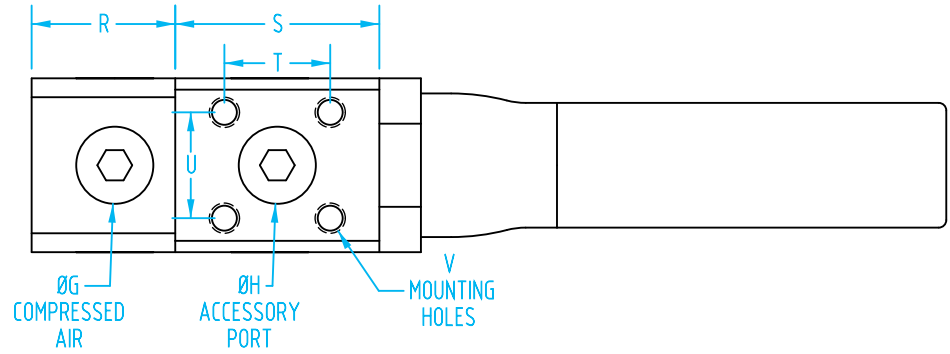
*Values listed are achieved when supplied the listed standard supply pressure of 4 Bar / 58 psi. Maximum operating pressure is 6 Bar / 87 psi.

Use Quick#s for easy online ordering.





Vacuum Generator – Schmalz SBP



- CU
- QC
- VG
- VC
- VA
- SG
- GR
- MT
- AC
- CS
- CC

Quick#	A	B	C	D	E	F	G	H	J	K	L	M	N	P	Q	R	S	T	U	V	W	X	Y	Z
8792 & 8797	48	37	14	-	-	$\varnothing 6$	-	G1/8	-	19	22	14	5.5	12.5	G1/8	13	18	12	12	M4	13	18	22	G1/8
8793 & 8798	121	51.5	20	8.5	19	$\varnothing 16.5$	G1/8	G1/8	$\varnothing 4.2 \downarrow$ THRU $\sqcup \varnothing 8 \pm 4.4$ BOTH SIDES	23	33	20	10.5	19.5	G1/8	19	27	14	14	M4	17	29	31.5	G1/4
8794 & 8799	139.5	51.5	20	8.5	19	$\varnothing 16.5$	G1/8	G1/8	$\varnothing 4.2 \downarrow$ THRU $\sqcup \varnothing 8 \pm 4.4$ BOTH SIDES	23	33	20	10.5	19.5	G1/8	19	27	14	14	M4	17	29	31.5	G1/4
8795 & 8800	190.5	87.5	27	9.5	26	$\varnothing 29$	G1/4	G1/4	$\varnothing 6.4 \downarrow$ THRU $\sqcup \varnothing 11 \pm 6$ BOTH SIDES	35	44	27	14	25.5	G1/4	25.5	40	26	22	M6	25.5	40	45.5	G3/8
8796 & 8801	230.5	87.5	27	9.5	26	$\varnothing 29$	G1/4	G1/4	$\varnothing 6.4 \downarrow$ THRU $\sqcup \varnothing 11 \pm 6$ BOTH SIDES	35	44	27	14	25.5	G1/4	25.5	40	26	22	M6	25.5	40	45.5	G3/8