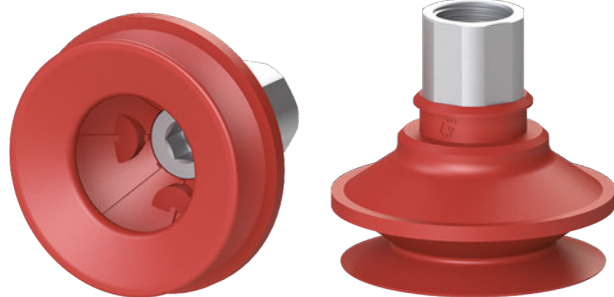
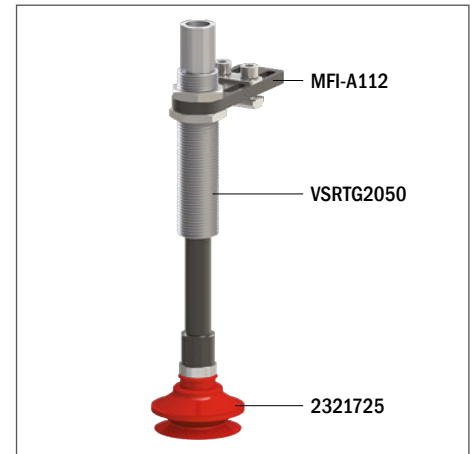


Suction cups / Silicone

VG.B42S bellows suction cups in silicone

- Silicone compound
- Suitable for high working temperatures
- Suitable for objects with flat or slightly curved surfaces
- They enable to compensate for differences in height

Application example



Technical data

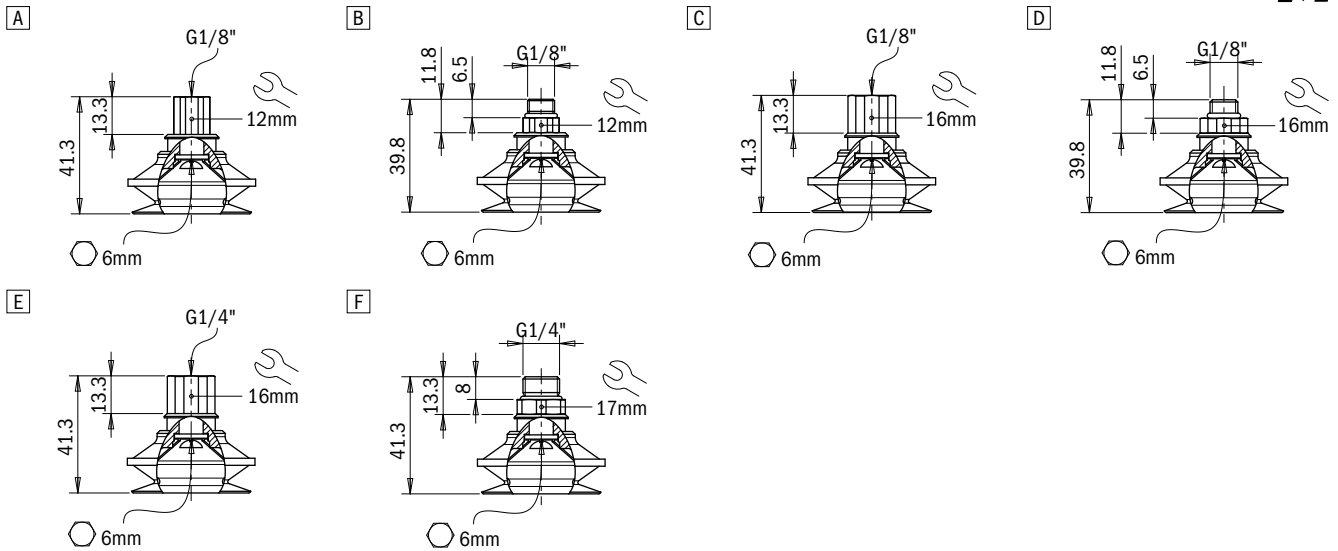
Material	Lifting force [N] perpendicular to the surface, at various vacuum levels			Lifting force [N] parallel to the surface, at various vacuum levels			Volume [cm³]	Min curve radius [mm]	Max vertical movement [mm]	Suction cup weight [g]
	-20 kPa	-60 kPa	-90 kPa	-20 kPa	-60 kPa	-90 kPa				
SIL 50	20	46	53	17.2	26.3	30.7	15	20	12	8.6

Technical features

Material	Color	Hardness	Temperature range
Silicone, SIL	Red	50 Shore	-94 - +392 °F

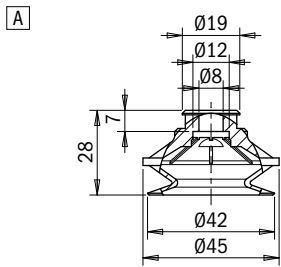
Identification codes

Drawing	Alphanumeric code	Suction cups with fitting	Order code
A	VG.B42S.50.G18F.E12	VG.B42 suction cup, silicone, 50 Shore, G1/8" female, 12 mm hex	2321719
B	VG.B42S.50.G18M.E12	VG.B42 suction cup, silicone, 50 Shore, G1/8" male, 12 mm hex	2321721
C	VG.B42S.50.G18F.E16	VG.B42 suction cup, silicone, 50 Shore, G1/8" female, 16 mm hex	2321722
D	VG.B42S.50.G18M.E16	VG.B42 suction cup, silicone, 50 Shore, G1/8" male, 16 mm hex	2321723
E	VG.B42S.50.G14F.E16	VG.B42 suction cup, silicone, 50 Shore, G1/4" female, 16 mm hex	2321724
F	VG.B42S.50.G14M.E17	VG.B42 suction cup, silicone, 50 Shore, G1/4" male, 17 mm hex	2321725



Identification codes

Drawing	Alphanumeric code	Suction cups	Order code
A	VG.B42S.50	VG.B42 suction cup, silicone, 50 Shore	2321720



Identification codes

Drawing	Alphanumeric code	Fittings	Order code
A	FT.G18F.E12	G1/8" female fitting, 12 mm hex	2321422
B	FT.G18M.E12	G1/8" male fitting, 12 mm hex	2321424
C	FT.G18F.E16	G1/8" female fitting, 16 mm hex	2321426
D	FT.G18M.E16	G1/8" male fitting, 16 mm hex	2321428
E	FT.G14F.E16	G1/4" female fitting, 16 mm hex	2321430
F	FT.G14M.E17	G1/4" male fitting, 17 mm hex	2321432

