

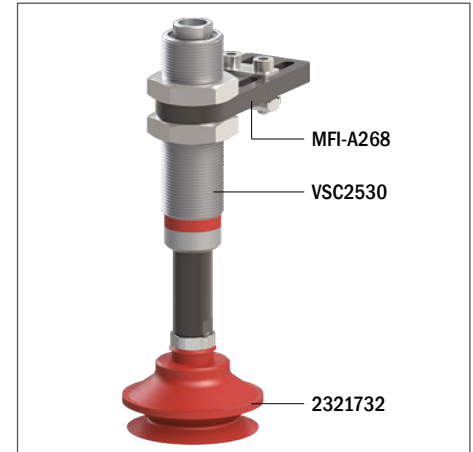
# Suction cups / Silicone

## VG.B53S bellows suction cups in silicone

- Silicone compound
- Suitable for high working temperatures
- Suitable for objects with flat or slightly curved surfaces
- They enable to compensate for differences in height



Application example



### Technical data

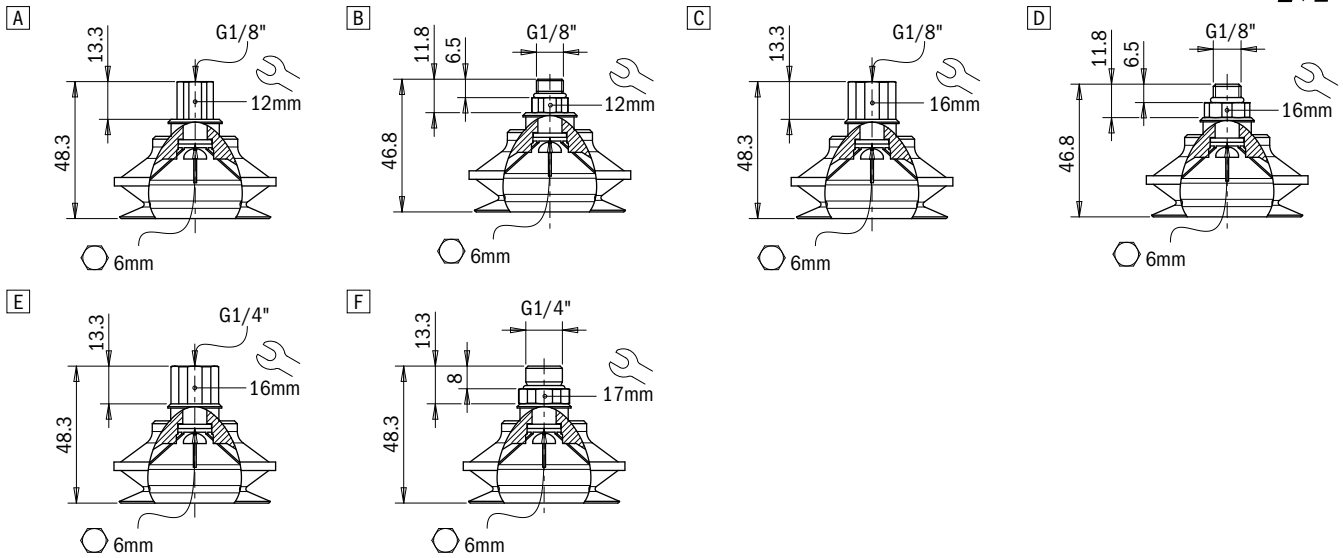
Material	Lifting force [N] perpendicular to the surface, at various vacuum levels			Lifting force [N] parallel to the surface, at various vacuum levels			Volume [cm <sup>3</sup> ]	Min curve radius [mm]	Max vertical movement [mm]	Suction cup weight [g]
	-20 kPa	-60 kPa	-90 kPa	-20 kPa	-60 kPa	-90 kPa				
SIL 50	32	64.5	90	24.5	51.3	60.5	32	30	19	15.4

### Technical features

Material	Color	Hardness	Temperature range
Silicone, SIL	Red	50 Shore	-94 - +392 °F

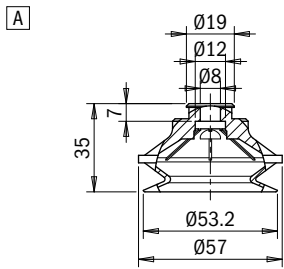
### Identification codes

Drawing	Alphanumeric code	Suction cups with fitting	Order code
A	VG.B53S.50.G18F.E12	VG.B53 suction cup, silicone, 50 Shore, G1/8" female, 12 mm hex	2321726
B	VG.B53S.50.G18M.E12	VG.B53 suction cup, silicone, 50 Shore, G1/8" male, 12 mm hex	2321728
C	VG.B53S.50.G18F.E16	VG.B53 suction cup, silicone, 50 Shore, G1/8" female, 16 mm hex	2321729
D	VG.B53S.50.G18M.E16	VG.B53 suction cup, silicone, 50 Shore, G1/8" male, 16 mm hex	2321730
E	VG.B53S.50.G14F.E16	VG.B53 suction cup, silicone, 50 Shore, G1/4" female, 16 mm hex	2321731
F	VG.B53S.50.G14M.E17	VG.B53 suction cup, silicone, 50 Shore, G1/4" male, 17 mm hex	2321732



**Identification codes**

Drawing	Alphanumeric code	Suction cups	Order code
A	VG.B53S.50	VG.B53 suction cup, silicone, 50 Shore	2321727



**Identification codes**

Drawing	Alphanumeric code	Fittings	Order code
A	FT.G18F.E12	G1/8" female fitting, 12 mm hex	2321422
B	FT.G18M.E12	G1/8" male fitting, 12 mm hex	2321424
C	FT.G18F.E16	G1/8" female fitting, 16 mm hex	2321426
D	FT.G18M.E16	G1/8" male fitting, 16 mm hex	2321428
E	FT.G14F.E16	G1/4" female fitting, 16 mm hex	2321430
F	FT.G14M.E17	G1/4" male fitting, 17 mm hex	2321432

