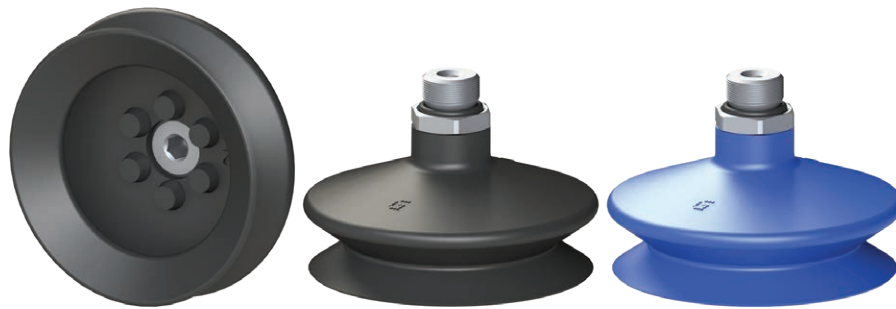


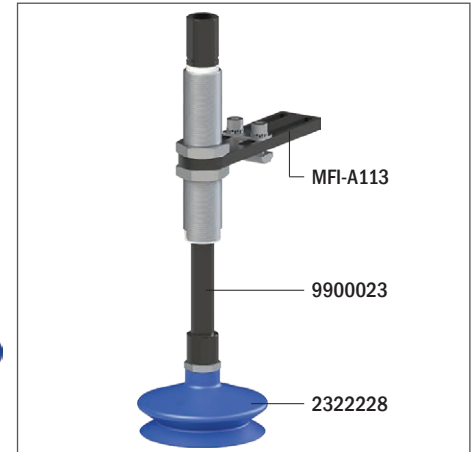
VG.B63 NBR-HNBR bellows suction cups

- Suitable for handling plastic parts
- Suitable for objects with flat or slightly curved surfaces
- They enable to compensate for differences in height
- The HNBR version enables to work at high temperatures, whereas silicone or other mixtures may release traces of material. Ideal for applications where contamination of the material must be avoided (PWIS)
- The HNBR compound is robust and wear resistant, suitable for the removal of hot plastic parts from the relevant moulds

NEW



Application example



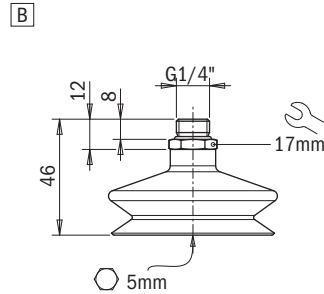
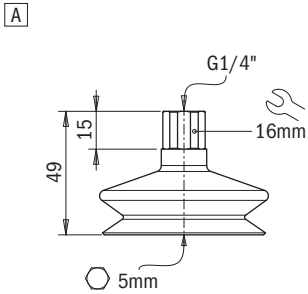
Technical data

Material	Lifting force [N] perpendicular to the surface, at various vacuum levels			Lifting force [N] parallel to the surface, at various vacuum levels			Volume [cm ³]	Min curve radius [mm]	Max vertical movement [mm]	Suction cup weight [g]
	-20 kPa	-60 kPa	-90 kPa	-20 kPa	-60 kPa	-90 kPa				
NBR 60	62	145	191	35	62	100	39	60	15	27
HNBR 60	66	175	213	35	62	100	39	60	15	22

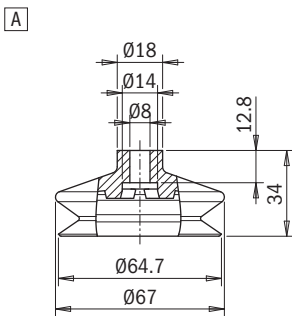
Technical features

Material	Colour	Hardness	Temperature range
NBR	Black	60 Shore	-30 ÷ +100 °C
HNBR	Blue	60 Shore	-25 ÷ +150 °C

Identification codes			
Drawing	Alphanumeric code	Suction cups with fitting	Order code
A	VG.B63N.60.G14F.E16	VG.B63 suction cup, NBR, 60 Shore, G1/4" female, 16 mm hex	2322262
B	VG.B63N.60.G14M.E17	VG.B63 suction cup, NBR, 60 Shore, G1/4" male, 17 mm hex	2322226
A	VG.B63H.60.G14F.E16	VG.B63 suction cup, HNBR, 60 Shore, G1/4" female, 16 mm hex	2322263
B	VG.B63H.60.G14M.E17	VG.B63 suction cup, HNBR, 60 Shore, G1/4" male, 17 mm hex	2322228



Identification codes			
Drawing	Alphanumeric code	Suction cups	Order code
A	VG.B63N.60	VG.B63 suction cup, NBR, 60 Shore	2322225
A	VG.B63H.60	VG.B63 suction cup, HNBR, 60 Shore	2322227



Identification codes			
Drawing	Alphanumeric code	Fittings	Order code
A	FT.G14F.E16.SB	G1/4" female fitting, 16 mm hex	2322265
B	FT.G14M.E17.SB	G1/4" male fitting, 17 mm hex	2322231

