

Suction cups / FDA-compliant silicone

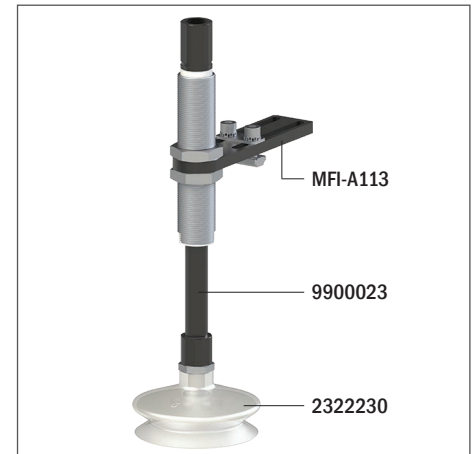
VG.B63F bellows suction cups in FDA-compliant silicone

- Food-grade silicone compound (FDA-approved)
- Suitable for high working temperatures
- Suitable for objects with flat or slightly curved surfaces
- They enable to compensate for differences in height

NEW



Application example



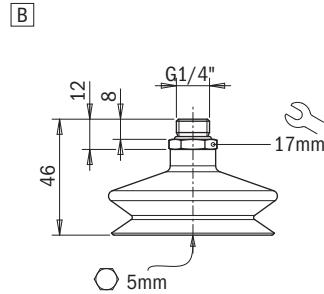
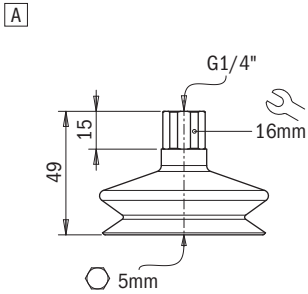
Technical data

Material	Lifting force [N] perpendicular to the surface, at various vacuum levels			Lifting force [N] parallel to the surface, at various vacuum levels			Volume [cm ³]	Min curve radius [mm]	Max vertical movement [mm]	Suction cup weight [g]
	-20 kPa	-60 kPa	-90 kPa	-20 kPa	-60 kPa	-90 kPa				
SIL 50 FDA	56	121	155	32	60	97	39	60	15	23

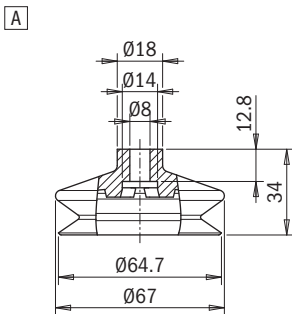
Technical features

Material	Colour	Hardness	Temperature range
Silicone, FDA SIL	Transparent	50 Shore	-70 ÷ +200 °C

Identification codes			
Drawing	Alphanumeric code	Suction cups with fitting	Order code
A	VG.B63F.50.G14F.E16	VG.B63 suction cup, FDA-compliant silicone, 50 Shore, G1/4" female, 16 mm hex	2322264
B	VG.B63F.50.G14M.E17	VG.B63 suction cup, FDA-compliant silicone, 50 Shore, G1/4" male, 17 mm hex	2322230



Identification codes			
Drawing	Alphanumeric code	Suction cups	Order code
A	VG.B63F.50	VG.B63 suction cup, FDA-compliant silicone, 50 Shore	2322229



Identification codes			
Drawing	Alphanumeric code	Fittings	Order code
A	FT.G14F.E16.SB	G1/4" female fitting, 16 mm hex	2322265
B	FT.G14M.E17.SB	G1/4" male fitting, 17 mm hex	2322231

