

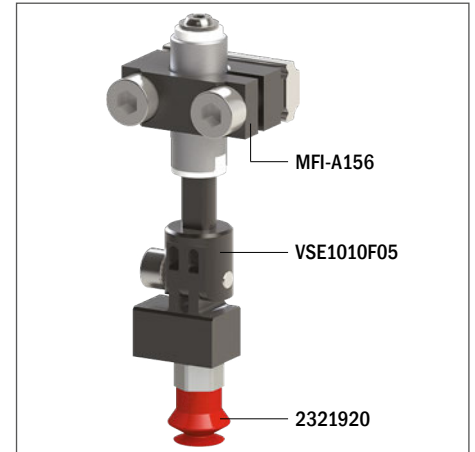
# Suction cups / Silicone

## VG.B9S bellows suction cups in silicone

- Silicone compound
- Suitable for high working temperatures
- Suitable for objects with flat or slightly curved surfaces
- They enable to compensate for differences in height



Application example



### Technical data

Material	Lifting force [N] perpendicular to the surface, at various vacuum levels			Lifting force [N] parallel to the surface, at various vacuum levels			Volume [cm <sup>3</sup> ]	Min curve radius [mm]	Max vertical movement [mm]	Suction cup weight [g]
	-20 kPa	-60 kPa	-90 kPa	-20 kPa	-60 kPa	-90 kPa				
SIL 50	0.82	1.5	2.3	–	–	–	0.15	1.9	3.5	0.3

### Technical features

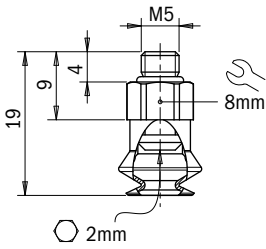
Material	Color	Hardness	Temperature range
Silicone, SIL	Red	50 Shore	-94 - +392 °F

Identification codes			
Drawing	Alphanumeric code	Suction cups with fitting	Order code
A	VG.B9S.50.M5M.E8	VG.B9 suction cup, silicone, 50 Shore, M5 male, 8 mm hex	2321920



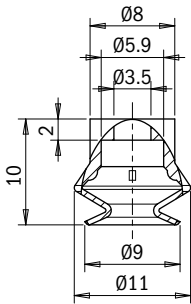
**Click for Pricing & Add to Cart**

A



Identification codes			
Drawing	Alphanumeric code	Suction cups	Order code
A	VG.B9S.50	VG.B9 suction cup, silicone, 50 Shore	2321921

A



Identification codes			
Drawing	Alphanumeric code	Fittings	Order code
A	FT.M5M.E8.05	M5 male fitting, 8 mm hex	2321405

A

