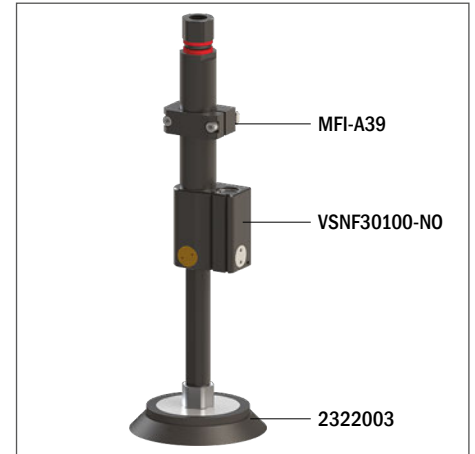


# Suction cups / NBR-HNBR

## VG.CF112 flat suction cups, NBR-HNBR, with reinforcements

- Ideal for handling plastic parts and dry sheet metal
- Suitable for items with flat surfaces
- Suitable for handling items with lifting force parallel to the surface thanks to the reinforcements that increase friction and prevent deformations
- The HNBR version enables to work at high temperatures, whereas silicone or other mixtures may release traces of material
- The HNBR compound is robust and wear resistant, suitable for the removal of hot plastic parts from the relevant moulds
- HNBR and NBR compounds are ideal for applications where contamination of the material must be avoided (PWIS)

Application example



### Technical data

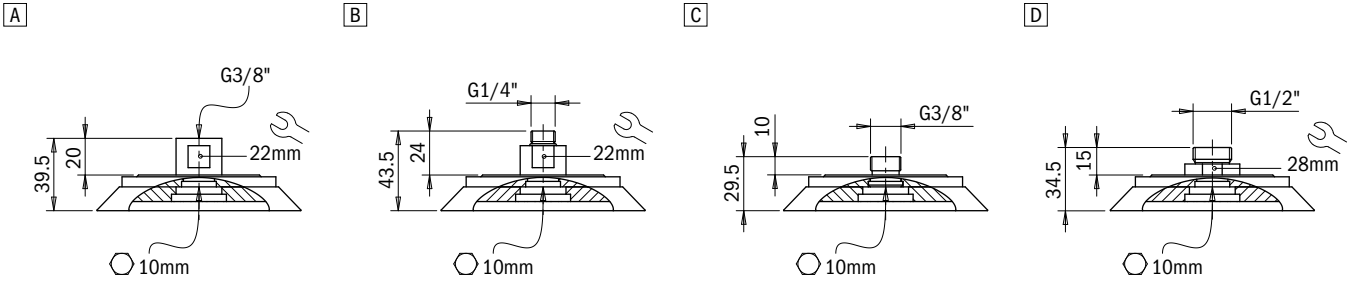
Material	Lifting force [N] perpendicular to the surface, at various vacuum levels			Lifting force [N] parallel to the surface, at various vacuum levels			Volume [cm <sup>3</sup> ]	Min curve radius [mm]	Max vertical movement [mm]	Suction cup weight [g]
	-20 kPa	-60 kPa	-90 kPa	-20 kPa	-60 kPa	-90 kPa				
NBR 60	160	465	570	145	259	310	70	250	4	98.6
HNBR 60	160	465	570	145	259	310	70	250	4	80.2

### Technical features

Material	Color	Hardness	Temperature range
NBR	Black	60 Shore	-22 - +212 °F
HNBR	Blue	60 Shore	-13 - +302 °F

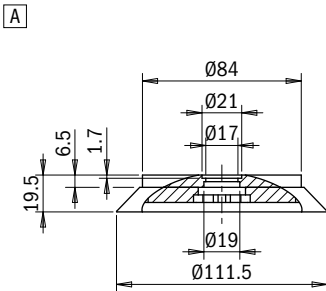
**Identification codes**

Drawing	Alphanumeric code	Suction cups with fitting	Order code
A	VG.CF112N.60.G38F	VG.CF112 suction cup, NBR, 60 Shore, G3/8" female	2322000
B	VG.CF112N.60.G14M	VG.CF112 suction cup, NBR, 60 Shore, G1/4" male	2322002
C	VG.CF112N.60.G38M	VG.CF112 suction cup, NBR, 60 Shore, G3/8" male	2322003
D	VG.CF112N.60.G12M	VG.CF112 suction cup, NBR, 60 Shore, G1/2" male	2322004
A	VG.CF112H.60.G38F	VG.CF112 suction cup, HNBR, 60 Shore, G3/8" female	2322042
B	VG.CF112H.60.G14M	VG.CF112 suction cup, HNBR, 60 Shore, G1/4" male	2322044
C	VG.CF112H.60.G38M	VG.CF112 suction cup, HNBR, 60 Shore, G3/8" male	2322045
D	VG.CF112H.60.G12M	VG.CF112 suction cup, HNBR, 60 Shore, G1/2" male	2322046



**Identification codes**

Drawing	Alphanumeric code	Suction cups	Order code
A	VG.CF112N.60	VG.CF112 suction cup, NBR, 60 Shore	2322001
A	VG.CF112H.60	VG.CF112 suction cup, HNBR, 60 Shore	2322043



**Identification codes**

Drawing	Alphanumeric code	Fittings	Order code
A	FT.G38F	G3/8" female fitting	1600009
B	FT.G14M.16	G1/4" male fitting	1600010
C	FT.G38M.199	G3/8" male fitting	1900039
D	FT.G12M.16	G1/2" male fitting	1600015

