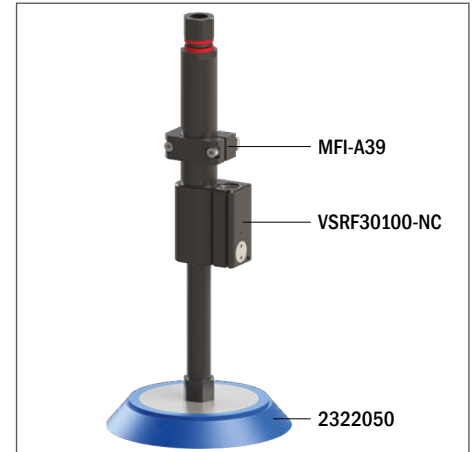


Suction cups / NBR-HNBR

VG.CF152 flat suction cups, NBR-HNBR, with reinforcements

- Ideal for handling plastic parts and dry sheet metal
- Suitable for items with flat surfaces
- Suitable for handling items with lifting force parallel to the surface thanks to the reinforcements that increase friction and prevent deformations
- The HNBR version enables to work at high temperatures, whereas silicone or other mixtures may release traces of material
- The HNBR compound is robust and wear resistant, suitable for the removal of hot plastic parts from the relevant moulds
- HNBR and NBR compounds are ideal for applications where contamination of the material must be avoided (PWIS)

Application example



Technical data

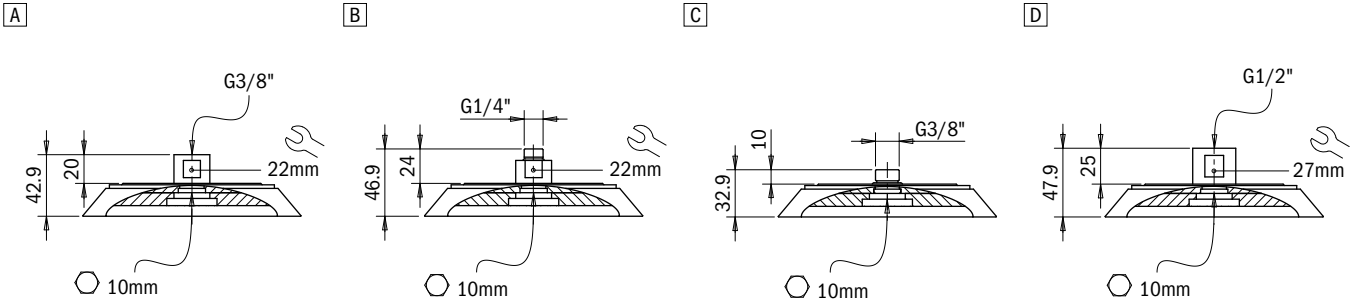
Material	Lifting force [N] perpendicular to the surface, at various vacuum levels			Lifting force [N] parallel to the surface, at various vacuum levels			Volume [cm ³]	Min curve radius [mm]	Max vertical movement [mm]	Suction cup weight [g]
	-20 kPa	-60 kPa	-90 kPa	-20 kPa	-60 kPa	-90 kPa				
NBR 60	310	900	1195	245	620	815	160	500	6	219
HNBR 60	310	900	1195	245	620	815	160	500	6	178

Technical features

Material	Color	Hardness	Temperature range
NBR	Black	60 Shore	-22 - +212 °F
HNBR	Blue	60 Shore	-13 - +302 °F

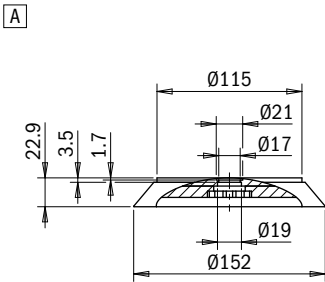
Identification codes

Drawing	Alphanumeric code	Suction cups with fitting	Order code
A	VG.CF152N.60.G38F	VG.CF152 suction cup, NBR, 60 Shore, G3/8" female	2322005
B	VG.CF152N.60.G14M	VG.CF152 suction cup, NBR, 60 Shore, G1/4" male	2322007
C	VG.CF152N.60.G38M	VG.CF152 suction cup, NBR, 60 Shore, G3/8" male	2322008
D	VG.CF152N.60.G12F	VG.CF152 suction cup, NBR, 60 Shore, G1/2" female	2322009
A	VG.CF152H.60.G38F	VG.CF152 suction cup, HNBR, 60 Shore, G3/8" female	2322047
B	VG.CF152H.60.G14M	VG.CF152 suction cup, HNBR, 60 Shore, G1/4" male	2322049
C	VG.CF152H.60.G38M	VG.CF152 suction cup, HNBR, 60 Shore, G3/8" male	2322050
D	VG.CF152H.60.G12F	VG.CF152 suction cup, HNBR, 60 Shore, G1/2" female	2322051



Identification codes

Drawing	Alphanumeric code	Suction cups	Order code
A	VG.CF152N.60	VG.CF152 suction cup, NBR, 60 Shore	2322006
A	VG.CF152H.60	VG.CF152 suction cup, HNBR, 60 Shore	2322048



Identification codes

Drawing	Alphanumeric code	Fittings	Order code
A	FT.G38F	G3/8" female fitting	1600009
B	FT.G14M.16	G1/4" male fitting	1600010
C	FT.G38M.199	G3/8" male fitting	1900039
D	FT.G12F	G1/2" female fitting	1600019

