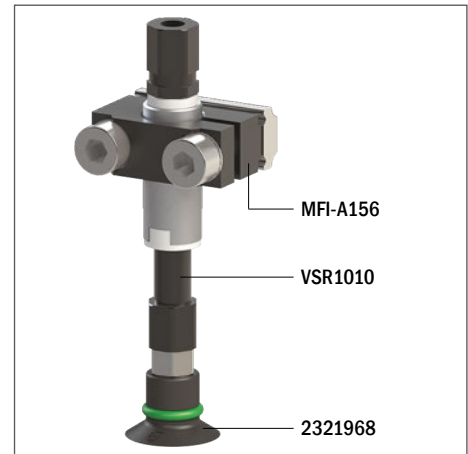


Suction cups / NBR-HNBR

VG.CF16 flat suction cups, NBR-HNBR, with reinforcements

- Ideal for handling plastic parts and dry sheet metal
- Suitable for items with flat surfaces
- Suitable for handling items with lifting force parallel to the surface thanks to the reinforcements that increase friction and prevent deformations
- The HNBR version enables to work at high temperatures, whereas silicone or other mixtures may release traces of material
- The HNBR compound is robust and wear resistant, suitable for the removal of hot plastic parts from the relevant moulds
- HNBR and NBR compounds are ideal for applications where contamination of the material must be avoided (PWIS)

Application example



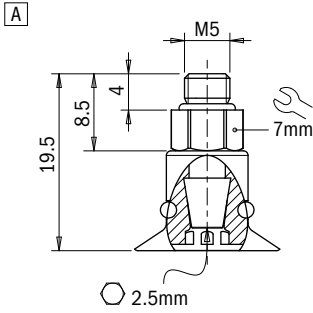
Technical data

Material	Lifting force [N] perpendicular to the surface, at various vacuum levels			Lifting force [N] parallel to the surface, at various vacuum levels			Volume [cm ³]	Min curve radius [mm]	Max vertical movement [mm]	Suction cup weight [g]
	-20 kPa	-60 kPa	-90 kPa	-20 kPa	-60 kPa	-90 kPa				
NBR 60	3.3	8.7	10.1	3.2	6.5	7.6	0.37	13	1	0.8
HNBR 60	3.3	8.7	10.1	3.2	6.5	7.6	0.37	13	1	0.8

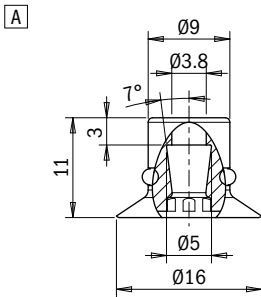
Technical features

Material	Color	Hardness	Temperature range
NBR	Black	60 Shore	-22 - +212 °F
HNBR	Blue	60 Shore	-13 - +302 °F

Identification codes			
Drawing	Alphanumeric code	Suction cups with fitting	Order code
A	VG.CF16N.60.M5M	VG.CF16 suction cup, NBR, 60 Shore, M5 male	2321968
A	VG.CF16H.60.M5M	VG.CF16 suction cup, HNBR, 60 Shore, M5 male	2322010



Identification codes			
Drawing	Alphanumeric code	Suction cups	Order code
A	VG.CF16N.60	VG.CF16 suction cup, NBR, 60 Shore	2321969
A	VG.CF16H.60	VG.CF16 suction cup, HNBR, 60 Shore	2322011



Identification codes			
Drawing	Alphanumeric code	Fittings	Order code
A	FT.M5M	M5 male fitting	1600005

