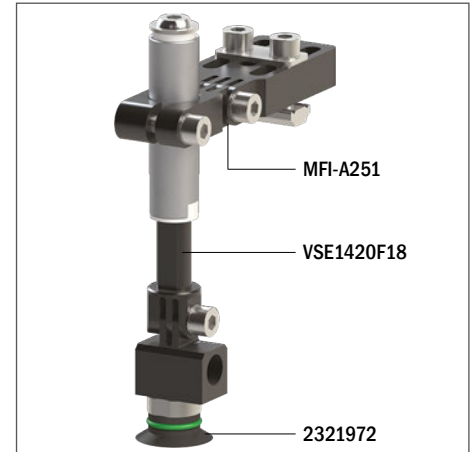


Suction cups / NBR-HNBR

VG.CF22 flat suction cups, NBR-HNBR, with reinforcements

- Ideal for handling plastic parts and dry sheet metal
- Suitable for items with flat surfaces
- Suitable for handling items with lifting force parallel to the surface thanks to the reinforcements that increase friction and prevent deformations
- The HNBR version enables to work at high temperatures, whereas silicone or other mixtures may release traces of material
- The HNBR compound is robust and wear resistant, suitable for the removal of hot plastic parts from the relevant moulds
- HNBR and NBR compounds are ideal for applications where contamination of the material must be avoided (PWIS)

Application example



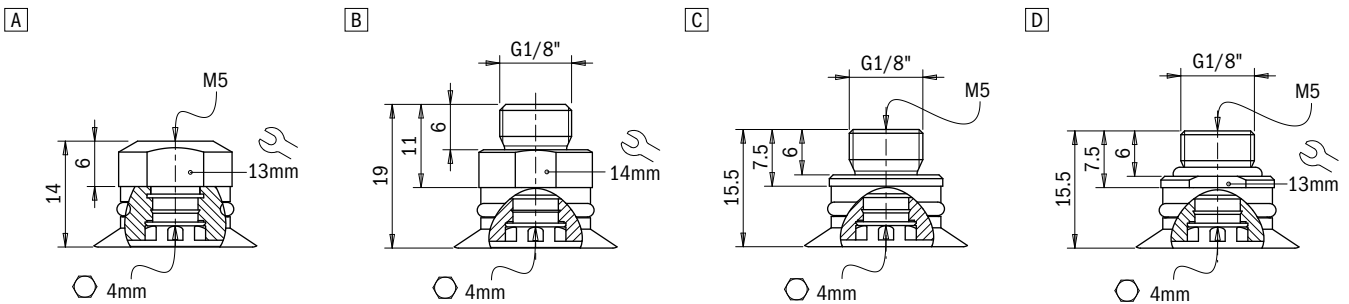
Technical data

| Material | Lifting force [N] perpendicular to the surface, at various vacuum levels | | | Lifting force [N] parallel to the surface, at various vacuum levels | | | Volume [cm ³] | Min curve radius [mm] | Max vertical movement [mm] | Suction cup weight [g] |
|----------|--|---------|---------|---|---------|---------|------------------------------|--------------------------|-------------------------------|---------------------------|
| | -20 kPa | -60 kPa | -90 kPa | -20 kPa | -60 kPa | -90 kPa | | | | |
| NBR 60 | 6.1 | 13.7 | 18.7 | 5.1 | 8.2 | 8.5 | 1 | 18 | 1.5 | 1.3 |
| HNBR 60 | 6.1 | 13.7 | 18.7 | 5.1 | 8.2 | 8.5 | 1 | 18 | 1.5 | 1.1 |

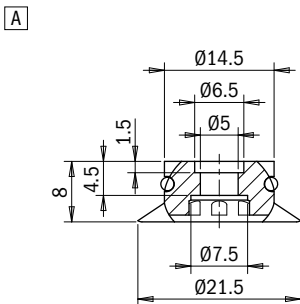
Technical features

| Material | Color | Hardness | Temperature range |
|----------|-------|----------|-------------------|
| NBR | Black | 60 Shore | -22 - +212 °F |
| HNBR | Blue | 60 Shore | -13 - +302 °F |

| Identification codes | | | |
|----------------------|--------------------|--|------------|
| Drawing | Alphanumeric code | Suction cups with fitting | Order code |
| A | VG.CF22N.60.M5F | VG.CF22 suction cup, NBR, 60 Shore, M5 female | 2321970 |
| B | VG.CF22N.60.G18M | VG.CF22 suction cup, NBR, 60 Shore, G1/8" male | 2321972 |
| C | VG.CF22N.60.G18MF | VG.CF22 suction cup, NBR, 60 Shore, G1/8" male/M5 female | 2321973 |
| D | VG.CF22N.60.G18MFV | VG.CF22 suction cup, NBR, 60 Shore, G1/8" male/M5 female with valve | 2321974 |
| A | VG.CF22H.60.M5F | VG.CF22 suction cup, HNBR, 60 Shore, M5 female | 2322012 |
| B | VG.CF22H.60.G18M | VG.CF22 suction cup, HNBR, 60 Shore, G1/8" male | 2322014 |
| C | VG.CF22H.60.G18MF | VG.CF22 suction cup, HNBR, 60 Shore, G1/8" male/M5 female | 2322015 |
| D | VG.CF22H.60.G18MFV | VG.CF22 suction cup, HNBR, 60 Shore, G1/8" male/M5 female with valve | 2322016 |



| Identification codes | | | |
|----------------------|-------------------|-------------------------------------|------------|
| Drawing | Alphanumeric code | Suction cups | Order code |
| A | VG.CF22N.60 | VG.CF22 suction cup, NBR, 60 Shore | 2321971 |
| A | VG.CF22H.60 | VG.CF22 suction cup, HNBR, 60 Shore | 2322013 |



| Identification codes | | | |
|----------------------|-------------------|--|------------|
| Drawing | Alphanumeric code | Fittings | Order code |
| A | FT.M5F | Fitting, M5 female | 1700006 |
| B | FT.G18M.17 | G1/8" male fitting | 1700018 |
| C | FT.G18M.M5F | G1/8" male / M5 female fitting | 1700016 |
| D | FT.G18M.M5F.VF | G1/8" male / M5 female fitting, with valve | 1700017 |

