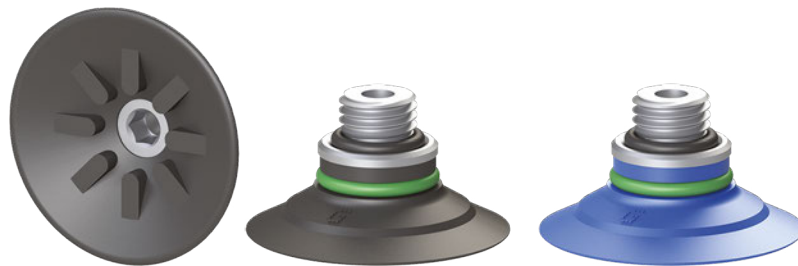
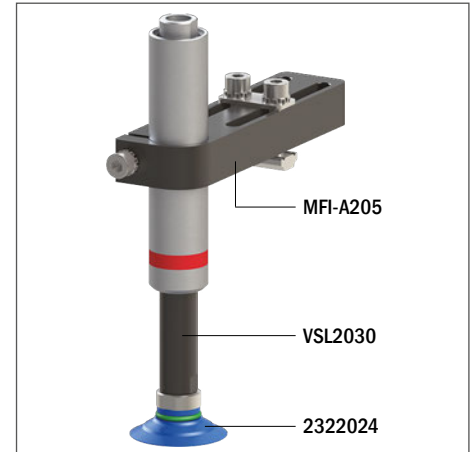


Suction cups / NBR-HNBR

VG.CF33 flat suction cups, NBR-HNBR, with reinforcements

- Ideal for handling plastic parts and dry sheet metal
- Suitable for items with flat surfaces
- Suitable for handling items with lifting force parallel to the surface thanks to the reinforcements that increase friction and prevent deformations
- The HNBR version enables to work at high temperatures, whereas silicone or other mixtures may release traces of material
- The HNBR compound is robust and wear resistant, suitable for the removal of hot plastic parts from the relevant moulds
- HNBR and NBR compounds are ideal for applications where contamination of the material must be avoided (PWIS)

Application example



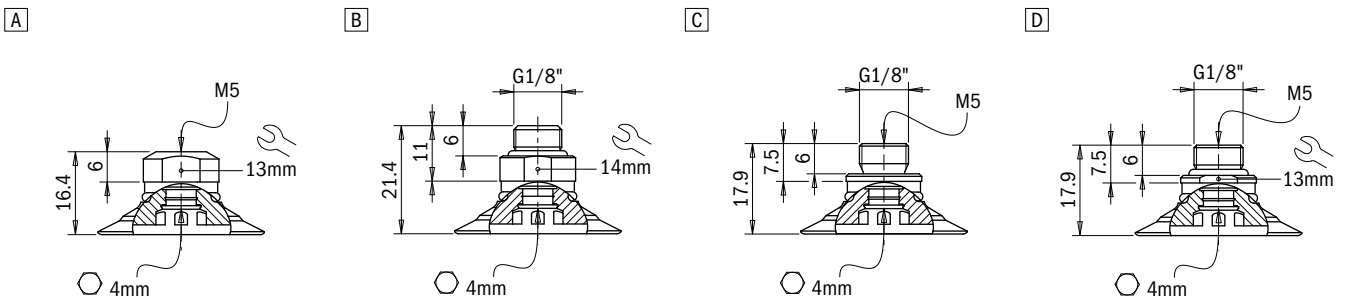
Technical data

Material	Lifting force [N] perpendicular to the surface, at various vacuum levels			Lifting force [N] parallel to the surface, at various vacuum levels			Volume [cm ³]	Min curve radius [mm]	Max vertical movement [mm]	Suction cup weight [g]
	-20 kPa	-60 kPa	-90 kPa	-20 kPa	-60 kPa	-90 kPa				
NBR 60	12.4	32.3	41.5	11	16.2	20.8	2	25	2	2.6
HNBR 60	12.4	32.3	41.5	11	16.2	20.8	2	25	2	2.1

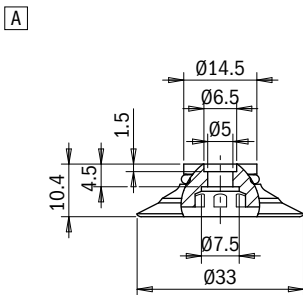
Technical features

Material	Color	Hardness	Temperature range
NBR	Black	60 Shore	-22 - +212 °F
HNBR	Blue	60 Shore	-13 - +302 °F

Identification codes			
Drawing	Alphanumeric code	Suction cups with fitting	Order code
A	VG.CF33N.60.M5F	VG.CF33 suction cup, NBR, 60 Shore, M5 female	2321980
B	VG.CF33N.60.G18M	VG.CF33 suction cup, NBR, 60 Shore, G1/8" male	2321982
C	VG.CF33N.60.G18MF	VG.CF33 suction cup, NBR, 60 Shore, G1/8" male/M5 female	2321983
D	VG.CF33N.60.G18MFV	VG.CF33 suction cup, NBR, 60 Shore, G1/8" male/M5 female with valve	2321984
A	VG.CF33H.60.M5F	VG.CF33 suction cup, HNBR, 60 Shore, M5 female	2322022
B	VG.CF33H.60.G18M	VG.CF33 suction cup, HNBR, 60 Shore, G1/8" male	2322024
C	VG.CF33H.60.G18MF	VG.CF33 suction cup, HNBR, 60 Shore, G1/8" male/M5 female	2322025
D	VG.CF33H.60.G18MFV	VG.CF33 suction cup, HNBR, 60 Shore, G1/8" male/M5 female with valve	2322026



Identification codes			
Drawing	Alphanumeric code	Suction cups	Order code
A	VG.CF33N.60	VG.CF33 suction cup, NBR, 60 Shore	2321981
A	VG.CF33H.60	VG.CF33 suction cup, HNBR, 60 Shore	2322023



Identification codes			
Drawing	Alphanumeric code	Fittings	Order code
A	FT.M5F	Fitting, M5 female	1700006
B	FT.G18M.17	G1/8" male fitting	1700018
C	FT.G18M.M5F	G1/8" male / M5 female fitting	1700016
D	FT.G18M.M5F.VF	G1/8" male / M5 female fitting, with valve	1700017

