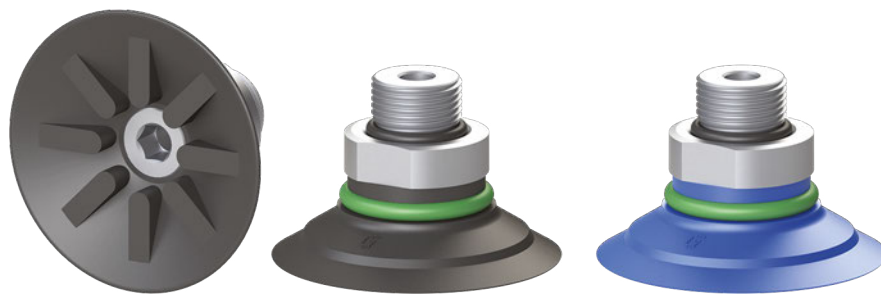
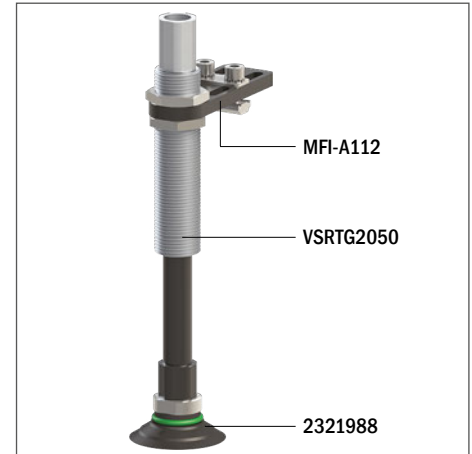


Suction cups / NBR-HNBR

VG.CF42 flat suction cups, NBR-HNBR, with reinforcements

- Ideal for handling plastic parts and dry sheet metal
- Suitable for items with flat surfaces
- Suitable for handling items with lifting force parallel to the surface thanks to the reinforcements that increase friction and prevent deformations
- The HNBR version enables to work at high temperatures, whereas silicone or other mixtures may release traces of material
- The HNBR compound is robust and wear resistant, suitable for the removal of hot plastic parts from the relevant moulds
- HNBR and NBR compounds are ideal for applications where contamination of the material must be avoided (PWIS)

Application example



Technical data

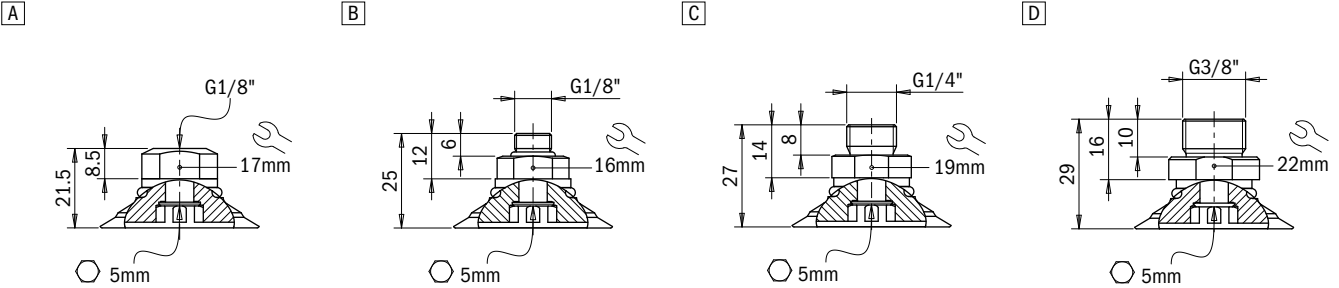
Material	Lifting force [N] perpendicular to the surface, at various vacuum levels			Lifting force [N] parallel to the surface, at various vacuum levels			Volume [cm ³]	Min curve radius [mm]	Max vertical movement [mm]	Suction cup weight [g]
	-20 kPa	-60 kPa	-90 kPa	-20 kPa	-60 kPa	-90 kPa				
NBR 60	21.8	52	68	15	24.5	31	4.8	52	1.8	6.3
HNBR 60	21.8	52	68	15	24.5	31	4.8	52	1.8	5.2

Technical features

Material	Color	Hardness	Temperature range
NBR	Black	60 Shore	-22 - +212 °F
HNBR	Blue	60 Shore	-13 - +302 °F

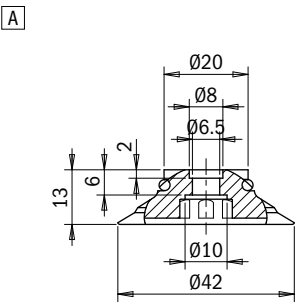
Identification codes

Drawing	Alphanumeric code	Suction cups with fitting	Order code
A	VG.CF42N.60.G18F	VG.CF42 suction cup, NBR, 60 Shore, G1/8" female	2321985
B	VG.CF42N.60.G18M	VG.CF42 suction cup, NBR, 60 Shore, G1/8" male	2321987
C	VG.CF42N.60.G14M	VG.CF42 suction cup, NBR, 60 Shore, G1/4" male	2321988
D	VG.CF42N.60.G38M	VG.CF42 suction cup, NBR, 60 Shore, G3/8" male	2321989
A	VG.CF42H.60.G18F	VG.CF42 suction cup, HNBR, 60 Shore, G1/8" female	2322027
B	VG.CF42H.60.G18M	VG.CF42 suction cup, HNBR, 60 Shore, G1/8" male	2322029
C	VG.CF42H.60.G14M	VG.CF42 suction cup, HNBR, 60 Shore, G1/4" male	2322030
D	VG.CF42H.60.G38M	VG.CF42 suction cup, HNBR, 60 Shore, G3/8" male	2322031



Identification codes

Drawing	Alphanumeric code	Suction cups	Order code
A	VG.CF42N.60	VG.CF42 suction cup, NBR, 60 Shore	2321986
A	VG.CF42H.60	VG.CF42 suction cup, HNBR, 60 Shore	2322028



Identification codes

Drawing	Alphanumeric code	Fittings	Order code
A	FT.G18F.18	G1/8" female fitting	1800019
B	FT.G18M.18	G1/8" male fitting	1800018
C	FT.G14M.18	G1/4" male fitting	1800014
D	FT.G38M.18	G3/8" male fitting	1800038

