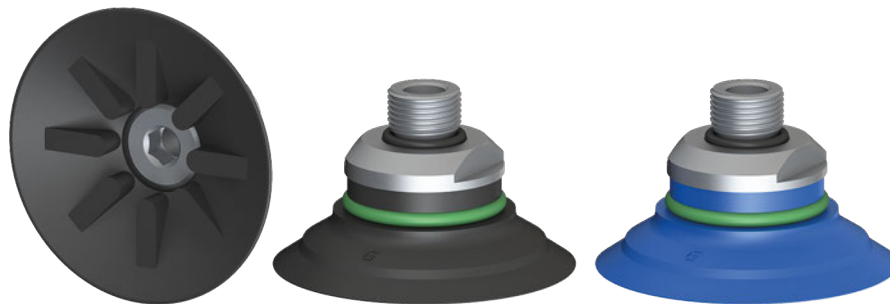


Suction cups / NBR-HNBR

VG.CF53 flat suction cups, NBR-HNBR, with reinforcements

- Ideal for handling plastic parts and dry sheet metal
- Suitable for items with flat surfaces
- Suitable for handling items with lifting force parallel to the surface thanks to the reinforcements that increase friction and prevent deformations
- The HNBR version enables to work at high temperatures, whereas silicone or other mixtures may release traces of material
- The HNBR compound is robust and wear resistant, suitable for the removal of hot plastic parts from the relevant moulds
- HNBR and NBR compounds are ideal for applications where contamination of the material must be avoided (PWIS)

Application example



Technical data

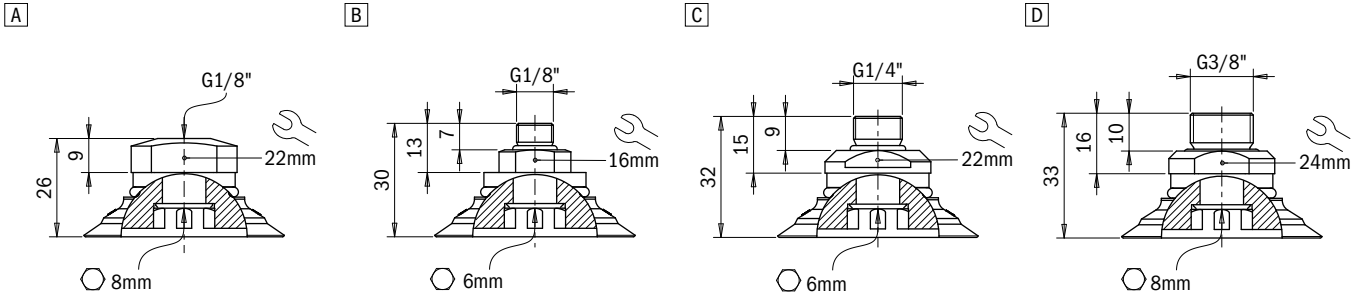
Material	Lifting force [N] perpendicular to the surface, at various vacuum levels			Lifting force [N] parallel to the surface, at various vacuum levels			Volume [cm ³]	Min curve radius [mm]	Max vertical movement [mm]	Suction cup weight [g]
	-20 kPa	-60 kPa	-90 kPa	-20 kPa	-60 kPa	-90 kPa				
NBR 60	36.7	72	98	25	42	49	10	55	2.2	13.1
HNBR 60	36.7	72	98	25	42	49	10	55	2.2	10.8

Technical features

Material	Color	Hardness	Temperature range
NBR	Black	60 Shore	-22 - +212 °F
HNBR	Blue	60 Shore	-13 - +302 °F

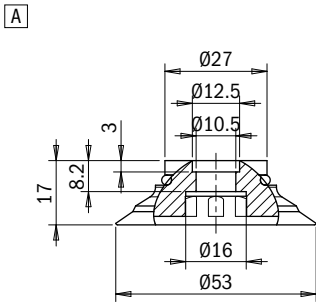
Identification codes

Drawing	Alphanumeric code	Suction cups with fitting	Order code
A	VG.CF53N.60.G18F	VG.CF53 suction cup, NBR, 60 Shore, G1/8" female	2321990
B	VG.CF53N.60.G18M	VG.CF53 suction cup, NBR, 60 Shore, G1/8" male	2321992
C	VG.CF53N.60.G14M	VG.CF53 suction cup, NBR, 60 Shore, G1/4" male	2321993
D	VG.CF53N.60.G38M	VG.CF53 suction cup, NBR, 60 Shore, G3/8" male	2321994
A	VG.CF53H.60.G18F	VG.CF53 suction cup, HNBR, 60 Shore, G1/8" female	2322032
B	VG.CF53H.60.G18M	VG.CF53 suction cup, HNBR, 60 Shore, G1/8" male	2322034
C	VG.CF53H.60.G14M	VG.CF53 suction cup, HNBR, 60 Shore, G1/4" male	2322035
D	VG.CF53H.60.G38M	VG.CF53 suction cup, HNBR, 60 Shore, G3/8" male	2322036



Identification codes

Drawing	Alphanumeric code	Suction cups	Order code
A	VG.CF53N.60	VG.CF53 suction cup, NBR, 60 Shore	2321991
A	VG.CF53H.60	VG.CF53 suction cup, HNBR, 60 Shore	2322033



Identification codes

Drawing	Alphanumeric code	Fittings	Order code
A	FT.G18F.19	G1/8" female fitting	1900019
B	FT.G18M.19	G1/8" male fitting	1900018
C	FT.G14M.19	G1/4" male fitting	1900014
D	FT.G38M.198	G3/8" male fitting	1900038

