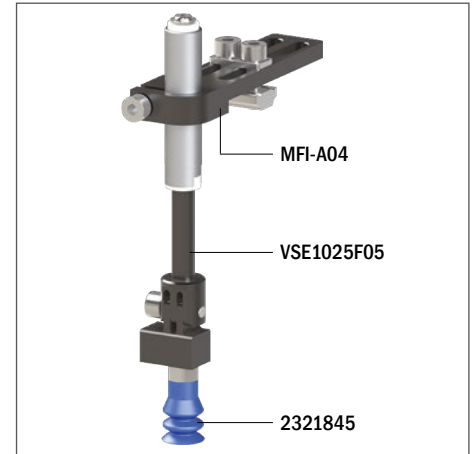


# Suction cups / NBR-HNBR

## VG.LB11 bellows suction cups in NBR-HNBR

- Suitable for handling plastic parts
- Suitable for objects with flat or slightly curved surfaces
- They enable to compensate for differences in height
- Ideal for leafing through and picking up thin metal sheets, glass sheets, chipboard or pressed wood panels, plastic laminates
- The HNBR version enables to work at high temperatures, whereas silicone or other mixtures may release traces of material. Ideal for applications where contamination of the material must be avoided (PWIS)
- The HNBR compound is robust and wear resistant, suitable for the removal of hot plastic parts from the relevant moulds

Application example



### Technical data

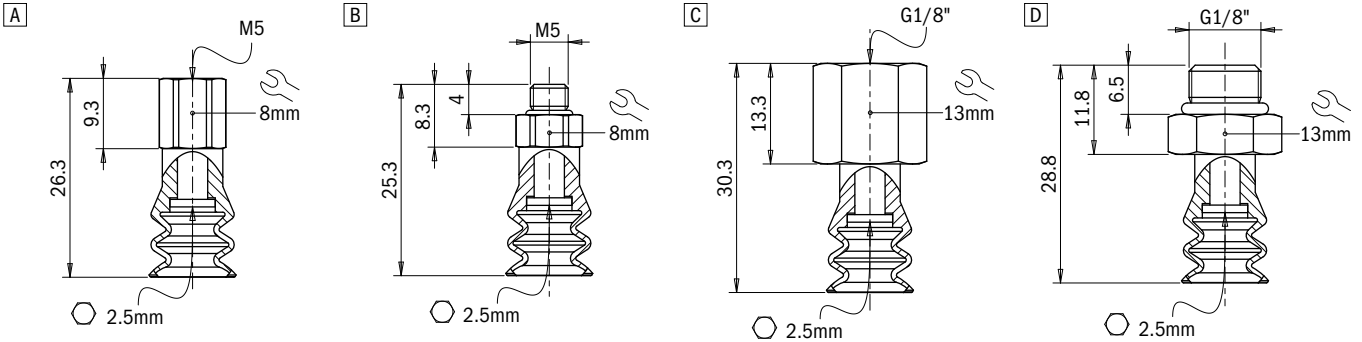
| Material | Lifting force [N] perpendicular to the surface, at various vacuum levels |         |         | Lifting force [N] parallel to the surface, at various vacuum levels |         |         | Volume<br>[cm <sup>3</sup> ] | Min curve radius<br>[mm] | Max vert. movement<br>[mm] | Suction cup weight<br>[g] |
|----------|--|---------|---------|---|---------|---------|------------------------------|--------------------------|----------------------------|---------------------------|
|          | -20 kPa  | -60 kPa | -90 kPa | -20 kPa   | -60 kPa | -90 kPa |                              |                          |                            |                           |
| NBR 50   | 1.7  | 4.3     | 6.6     | –   | –       | –       | 0.6                          | 13                       | 7                          | 0.8                       |
| HNBR 60  | 1.7  | 4.3     | 6.6     | –   | –       | –       | 0.6                          | 13                       | 7                          | 0.6                       |

### Technical features

| Material | Color | Hardness | Temperature range |
|----------|-------|----------|-------------------|
| NBR      | Black | 50 Shore | -40 - +212 °F     |
| HNBR     | Blue  | 60 Shore | -13 - +302 °F     |

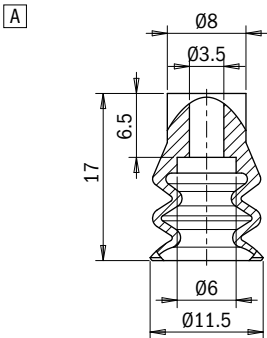
**Identification codes**

| Drawing | Alphanumeric code    | Suction cups with fitting                                    | Order code |
|---------|----------------------|--|------------|
| A       | VG.LB11N.50.M5F.E8   | VG.LB11 suction cup, NBR, 50 Shore, M5 female, 8 mm hex      | 2321837    |
| B       | VG.LB11N.50.M5M.E8   | VG.LB11 suction cup, NBR, 50 Shore, M5 male, 8 mm hex        | 2321839    |
| C       | VG.LB11N.50.G18F.E13 | VG.LB11 suction cup, NBR, 50 Shore, G1/8" female, 13 mm hex  | 2321840    |
| D       | VG.LB11N.50.G18M.E13 | VG.LB11 suction cup, NBR, 50 Shore, G1/8" male, 13 mm hex    | 2321841    |
| A       | VG.LB11H.60.M5F.E8   | VG.LB11 suction cup, HNBR, 60 Shore, M5 female, 8 mm hex     | 2321842    |
| B       | VG.LB11H.60.M5M.E8   | VG.LB11 suction cup, HNBR, 60 Shore, M5 male, 8 mm hex       | 2321845    |
| C       | VG.LB11H.60.G18F.E13 | VG.LB11 suction cup, HNBR, 60 Shore, G1/8" female, 13 mm hex | 2321846    |
| D       | VG.LB11H.60.G18M.E13 | VG.LB11 suction cup, HNBR, 60 Shore, G1/8" male, 13 mm hex   | 2321847    |



**Identification codes**

| Drawing | Alphanumeric code | Suction cups                        | Order code |
|---------|-------------------|-------------------------------------|------------|
| A       | VG.LB11N.50       | VG.LB11 suction cup, NBR, 50 Shore  | 2321838    |
| A       | VG.LB11H.60       | VG.LB11 suction cup, HNBR, 60 Shore | 2321843    |



**Click for Pricing & Add to Cart**



**Identification codes**

| Drawing | Alphanumeric code | Fittings                        | Order code |
|---------|-------------------|---------------------------------|------------|
| A       | FT.M5F.E8         | M5 female fitting, 8 mm hex     | 2321408    |
| B       | FT.M5M.E8         | M5 male fitting, 8 mm hex       | 2321410    |
| C       | FT.G18F.E13       | G1/8" female fitting, 13 mm hex | 2321412    |
| D       | FT.G18M.E13       | G1/8" male fitting, 13 mm hex   | 2321414    |

