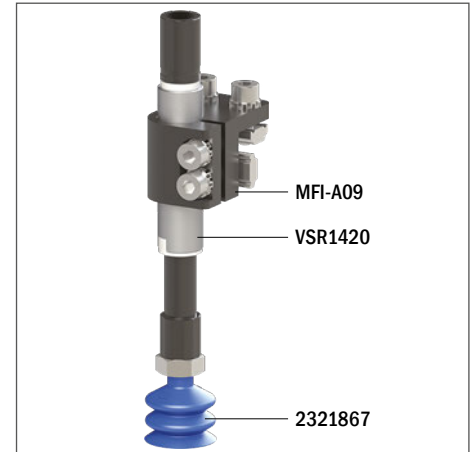


# Suction cups / NBR-HNBR

## VG.LB22 bellows suction cups in NBR-HNBR

- Suitable for handling plastic parts
- Suitable for objects with flat or slightly curved surfaces
- They enable to compensate for differences in height
- Ideal for leafing through and picking up thin metal sheets, glass sheets, chipboard or pressed wood panels, plastic laminates
- The HNBR version enables to work at high temperatures, whereas silicone or other mixtures may release traces of material. Ideal for applications where contamination of the material must be avoided (PWIS)
- The HNBR compound is robust and wear resistant, suitable for the removal of hot plastic parts from the relevant moulds

Application example



### Technical data

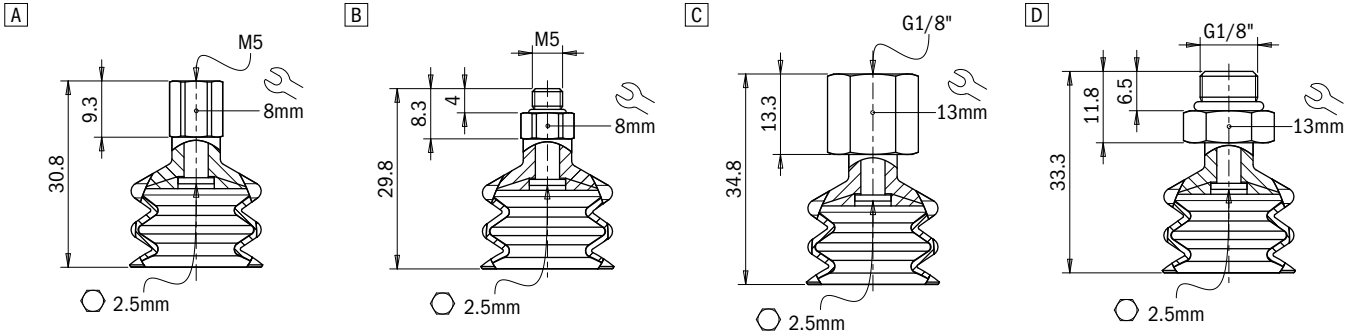
Material	Lifting force [N] perpendicular to the surface, at various vacuum levels			Lifting force [N] parallel to the surface, at various vacuum levels			Volume [cm <sup>3</sup> ]	Min curve radius [mm]	Max vert. movement [mm]	Suction cup weight [g]
	-20 kPa	-60 kPa	-90 kPa	-20 kPa	-60 kPa	-90 kPa				
NBR 50	6.2	16.1	23.4	–	–	–	2	30	18	2.5
HNBR 60	6.2	16.1	23.4	–	–	–	2	30	18	2

### Technical features

Material	Color	Hardness	Temperature range
NBR	Black	50 Shore	-40 - +212 °F
HNBR	Blue	60 Shore	-13 - +302 °F

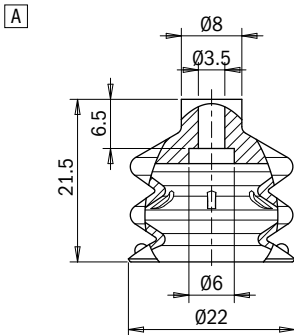
**Identification codes**

Drawing	Alphanumeric code	Suction cups with fitting	Order code
A	VG.LB22N.50.M5F.E8	VG.LB22 suction cup, NBR, 50 Shore, M5 female, 8 mm hex	2321858
B	VG.LB22N.50.M5M.E8	VG.LB22 suction cup, NBR, 50 Shore, M5 male, 8 mm hex	2321860
C	VG.LB22N.50.G18F.E13	VG.LB22 suction cup, NBR, 50 Shore, G1/8" female, 13 mm hex	2321861
D	VG.LB22N.50.G18M.E13	VG.LB22 suction cup, NBR, 50 Shore, G1/8" male, 13 mm hex	2321862
A	VG.LB22H.60.M5F.E8	VG.LB22 suction cup, HNBR, 60 Shore, M5 female, 8 mm hex	2321863
B	VG.LB22H.60.M5M.E8	VG.LB22 suction cup, HNBR, 60 Shore, M5 male, 8 mm hex	2321865
C	VG.LB22H.60.G18F.E13	VG.LB22 suction cup, HNBR, 60 Shore, G1/8" female, 13 mm hex	2321866
D	VG.LB22H.60.G18M.E13	VG.LB22 suction cup, HNBR, 60 Shore, G1/8" male, 13 mm hex	2321867



**Identification codes**

Drawing	Alphanumeric code	Suction cups	Order code
A	VG.LB22N.50	VG.LB22 suction cup, NBR, 50 Shore	2321859
A	VG.LB22H.60	VG.LB22 suction cup, HNBR, 60 Shore	2321864



**Identification codes**

Drawing	Alphanumeric code	Fittings	Order code
A	FT.M5F.E8	M5 female fitting, 8 mm hex	2321408
B	FT.M5M.E8	M5 male fitting, 8 mm hex	2321410
C	FT.G18F.E13	G1/8" female fitting, 13 mm hex	2321412
D	FT.G18M.E13	G1/8" male fitting, 13 mm hex	2321414

