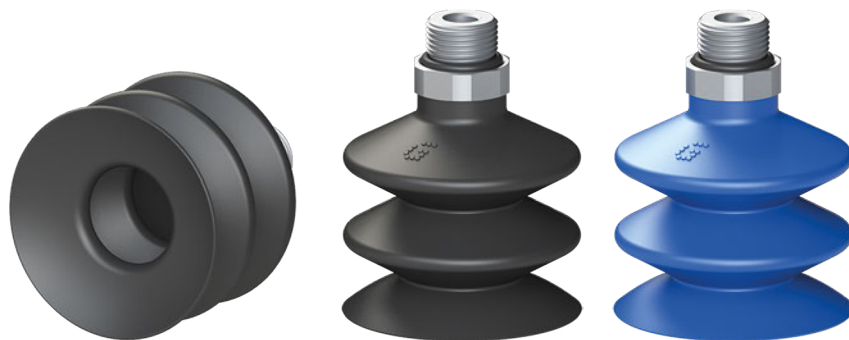
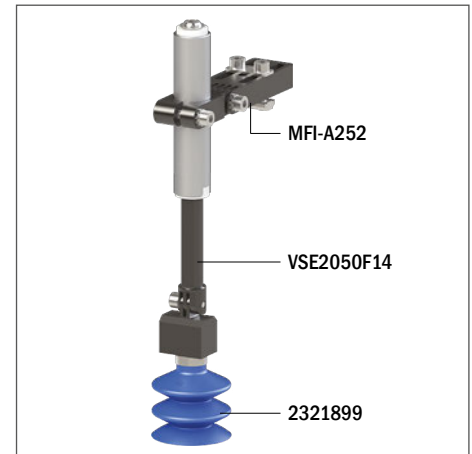


Suction cups / NBR-HNBR

VG.LB42 bellows suction cups in NBR-HNBR

- Suitable for handling plastic parts
- Suitable for objects with flat or slightly curved surfaces
- They enable to compensate for differences in height
- Ideal for leafing through and picking up thin metal sheets, glass sheets, chipboard or pressed wood panels, plastic laminates
- The HNBR version enables to work at high temperatures, whereas silicone or other mixtures may release traces of material. Ideal for applications where contamination of the material must be avoided (PWIS)
- The HNBR compound is robust and wear resistant, suitable for the removal of hot plastic parts from the relevant moulds

Application example



Technical data

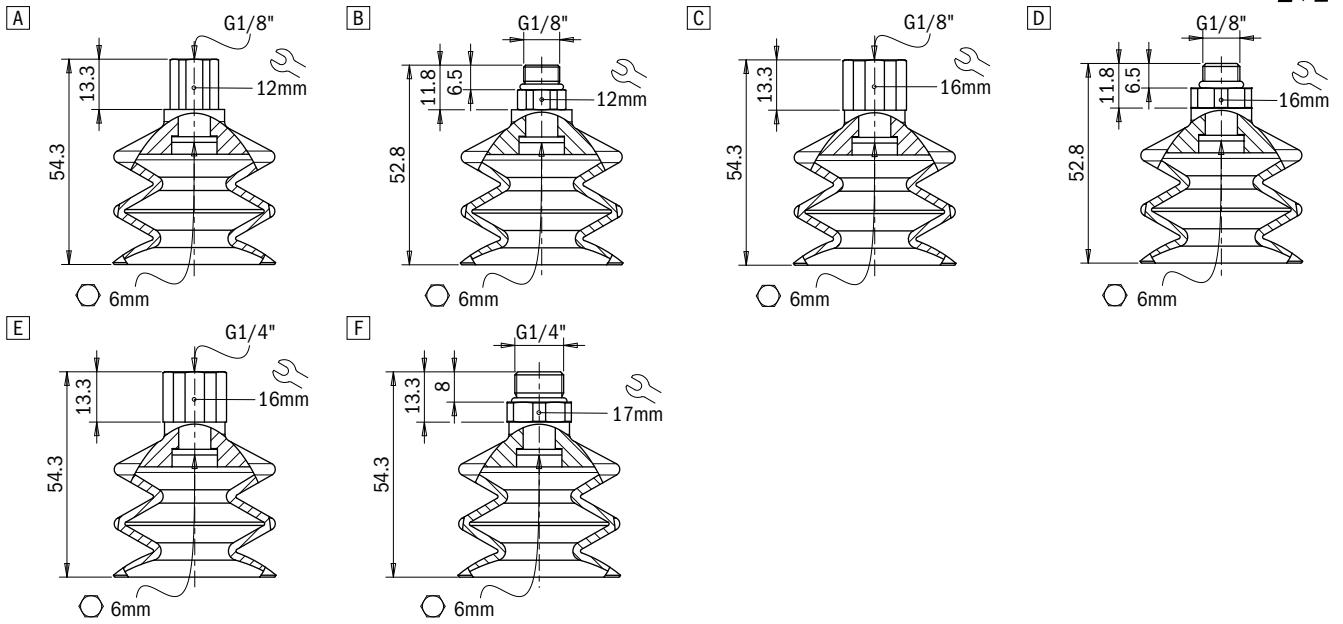
Material	Lifting force [N] perpendicular to the surface, at various vacuum levels			Lifting force [N] parallel to the surface, at various vacuum levels			Volume [cm ³]	Min curve radius [mm]	Max vert. movement [mm]	Suction cup weight [g]
	-20 kPa	-60 kPa	-90 kPa	-20 kPa	-60 kPa	-90 kPa				
NBR 50	25.2	70.2	85.5	–	–	–	19	75	20	19.1
HNBR 60	25.2	70.2	85.5	–	–	–	19	75	20	15.5

Technical features

Material	Color	Hardness	Temperature range
NBR	Black	50 Shore	-40 - +212 °F
HNBR	Blue	60 Shore	-13 - +302 °F

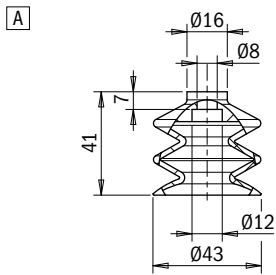
Identification codes

Drawing	Alphanumeric code	Suction cups with fitting	Order code
A	VG.LB42N.50.G18F.E12	VG.LB42 suction cup, NBR, 50 Shore, G1/8" female, 12 mm hex	2321886
B	VG.LB42N.50.G18M.E12	VG.LB42 suction cup, NBR, 50 Shore, G1/8" male, 12 mm hex	2321888
C	VG.LB42N.50.G18F.E16	VG.LB42 suction cup, NBR, 50 Shore, G1/8" female, 16 mm hex	2321889
D	VG.LB42N.50.G18M.E16	VG.LB42 suction cup, NBR, 50 Shore, G1/8" male, 16 mm hex	2321890
E	VG.LB42N.50.G14F.E16	VG.LB42 suction cup, NBR, 50 Shore, G1/4" female, 16 mm hex	2321891
F	VG.LB42N.50.G14M.E17	VG.LB42 suction cup, NBR, 50 Shore, G1/4" male, 17 mm hex	2321892
A	VG.LB42H.60.G18F.E12	VG.LB42 suction cup, HNBR, 60 Shore, G1/8" female, 12 mm hex	2321893
B	VG.LB42H.60.G18M.E12	VG.LB42 suction cup, HNBR, 60 Shore, G1/8" male, 12 mm hex	2321895
C	VG.LB42H.60.G18F.E16	VG.LB42 suction cup, HNBR, 60 Shore, G1/8" female, 16 mm hex	2321896
D	VG.LB42H.60.G18M.E16	VG.LB42 suction cup, HNBR, 60 Shore, G1/8" male, 16 mm hex	2321897
E	VG.LB42H.60.G14F.E16	VG.LB42 suction cup, HNBR, 60 Shore, G1/4" female, 16 mm hex	2321898
F	VG.LB42H.60.G14M.E17	VG.LB42 suction cup, HNBR, 60 Shore, G1/4" male, 17 mm hex	2321899



Identification codes

Drawing	Alphanumeric code	Suction cups	Order code
A	VG.LB42N.50	VG.LB42 suction cup, NBR, 50 Shore	2321887
A	VG.LB42H.60	VG.LB42 suction cup, HNBR, 60 Shore	2321894



Identification codes

Drawing	Alphanumeric code	Fittings	Order code
A	FT.G18F.E12	G1/8" female fitting, 12 mm hex	2321422
B	FT.G18M.E12	G1/8" male fitting, 12 mm hex	2321424
C	FT.G18F.E16	G1/8" female fitting, 16 mm hex	2321426
D	FT.G18M.E16	G1/8" male fitting, 16 mm hex	2321428
E	FT.G14F.E16	G1/4" female fitting, 16 mm hex	2321430
F	FT.G14M.E17	G1/4" male fitting, 17 mm hex	2321432

