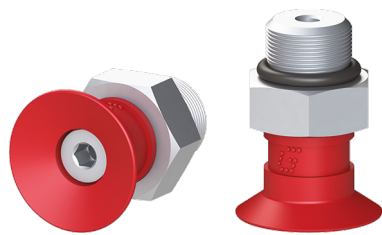


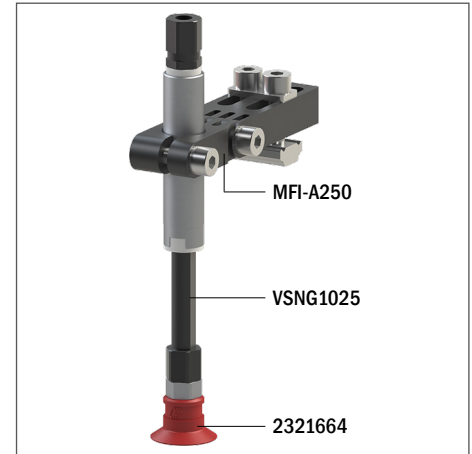
Suction cups / Silicone

VG.U16S flat silicone suction cups

- Silicone compound
- Suitable for high working temperatures
- Suitable for objects with flat or slightly curved surfaces



Application example



Technical data

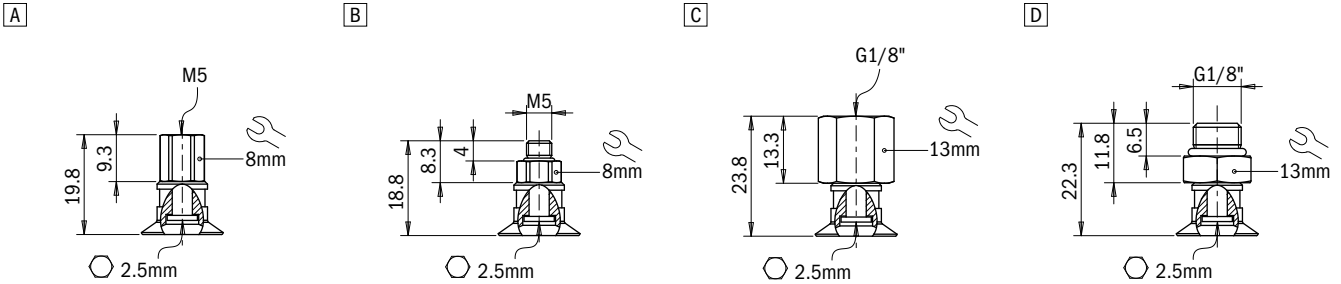
Material	Lifting force [N] perpendicular to the surface, at various vacuum levels			Lifting force [N] parallel to the surface, at various vacuum levels			Volume [cm ³]	Min curve radius [mm]	Max vert. movement [mm]	Suction cup weight [g]
	-20 kPa	-60 kPa	-90 kPa	-20 kPa	-60 kPa	-90 kPa				
SIL 50	3	8.5	11	3	8.5	11	0.5	8	1.5	0.6

Technical features

Material	Color	Hardness	Temperature range
Silicone, SIL	Red	50 Shore	-94 - +392 °F

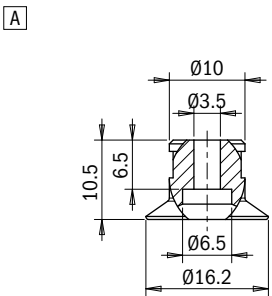
Ordering information

Drawing	Alphanumeric code	Suction cups with fitting	Order code
A	VG.U16S.50.M5F.E8	VG.U16 suction cup, silicone, 50 Shore, M5 female, 8 mm hex	2321662
B	VG.U16S.50.M5M.E8	VG.U16 suction cup, silicone, 50 Shore, M5 male, 8 mm hex	2321664
C	VG.U16S.50.G18F.E13	VG.U16 suction cup, silicone, 50 Shore, G1/8" female, 13 mm hex	2321665
D	VG.U16S.50.G18M.E13	VG.U16 suction cup, silicone, 50 Shore, G1/8" male, 13 mm hex	2321666



Identification codes

Drawing	Alphanumeric code	Suction cups	Order code
A	VG.U16S.50	VG.U16 suction cup, silicone, 50 Shore	2321663



Identification codes

Drawing	Alphanumeric code	Fittings	Order code
A	FT.M5F.E8	M5 female fitting, 8 mm hex	2321408
B	FT.M5M.E8	M5 male fitting, 8 mm hex	2321410
C	FT.G18F.E13	G1/8" female fitting, 13 mm hex	2321412
D	FT.G18M.E13	G1/8" male fitting, 13 mm hex	2321414

