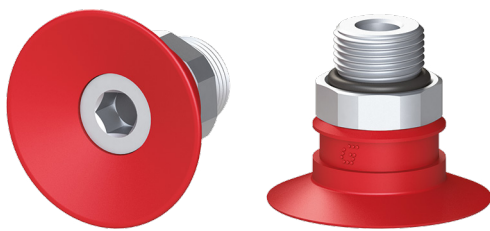
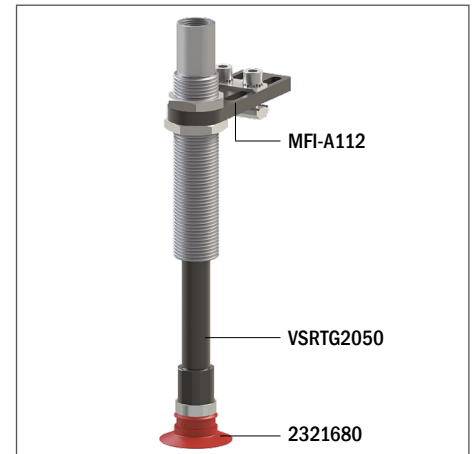


Suction cups / Silicone

VG.U33S flat silicone suction cups

- Silicone compound
- Suitable for high working temperatures
- Suitable for objects with flat or slightly curved surfaces

Application example



Technical data

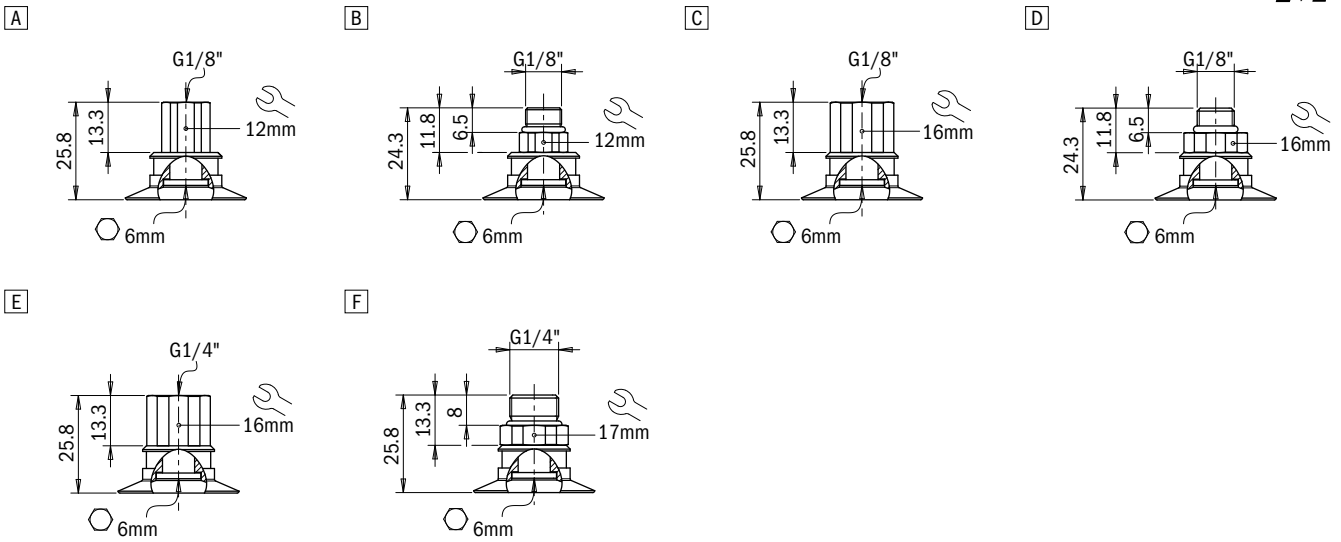
Material	Lifting force [N] perpendicular to the surface, at various vacuum levels			Lifting force [N] parallel to the surface, at various vacuum levels			Volume [cm ³]	Min curve radius [mm]	Max vert. movement [mm]	Suction cup weight [g]
	-20 kPa	-60 kPa	-90 kPa	-20 kPa	-60 kPa	-90 kPa				
SIL 50	11	29	38	8.5	15	12.5	2	20	3.5	2.4

Technical features

Material	Color	Hardness	Temperature range
Silicone, SIL	Red	50 Shore	-94 - +392 °F

Ordering information

Drawing	Alphanumeric code	Suction cups with fitting	Order code
A	VG.U33S.50.G18F.E12	VG.U33 suction cup, silicone, 50 Shore, G1/8" female, 12 mm hex	2321674
B	VG.U33S.50.G18M.E12	VG.U33 suction cup, silicone, 50 Shore, G1/8" male, 12 mm hex	2321676
C	VG.U33S.50.G18F.E16	VG.U33 suction cup, silicone, 50 Shore, G1/8" female, 16 mm hex	2321677
D	VG.U33S.50.G18M.E16	VG.U33 suction cup, silicone, 50 Shore, G1/8" male, 16 mm hex	2321678
E	VG.U33S.50.G14F.E16	VG.U33 suction cup, silicone, 50 Shore, G1/4" female, 16 mm hex	2321679
F	VG.U33S.50.G14M.E17	VG.U33 suction cup, silicone, 50 Shore, G1/4" male, 17 mm hex	2321680

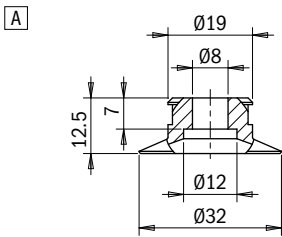


Ordering information

Drawing	Alphanumeric code	Suction cups	Order code
A	VG.U33S.50	VG.U33 suction cup, silicone, 50 Shore	2321675



Click for Pricing & Add to Cart



Ordering information

Drawing	Alphanumeric code	Fittings	Order code
A	FT.G18F.E12	G1/8" female fitting, 12 mm hex	2321422
B	FT.G18M.E12	G1/8" male fitting, 12 mm hex	2321424
C	FT.G18F.E16	G1/8" female fitting, 16 mm hex	2321426
D	FT.G18M.E16	G1/8" male fitting, 16 mm hex	2321428
E	FT.G14F.E16	G1/4" female fitting, 16 mm hex	2321430
F	FT.G14M.E17	G1/4" male fitting, 17 mm hex	2321432

