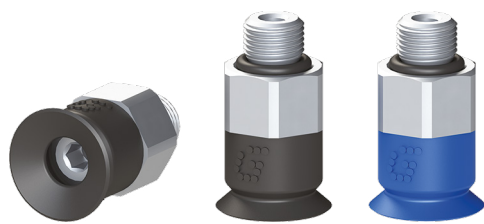
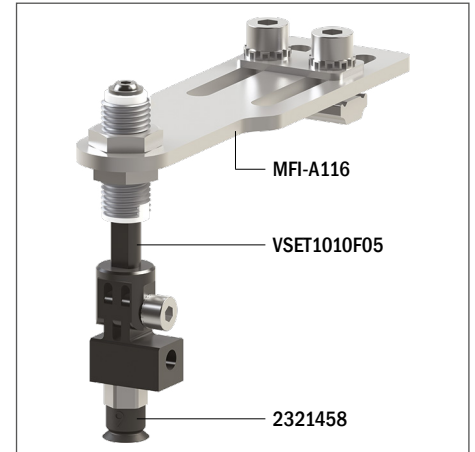


Suction cups / EPDM-HNBR

VG.U9 flat EPDM-HNBR suction cups

- Suitable for handling plastic parts
- Suitable for objects with flat or slightly curved surfaces
- The HNBR version enables to work at high temperatures, whereas silicone or other mixtures may release traces of material. Ideal for applications where contamination of the material must be avoided (PWIS)
- The HNBR compound is robust and wear resistant, suitable for the removal of hot plastic parts from the relevant moulds

Application example



Technical data

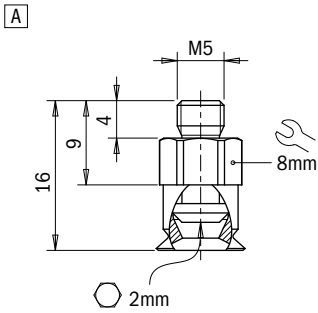
Material	Lifting force [N] perpendicular to the surface, at various vacuum levels			Lifting force [N] parallel to the surface, at various vacuum levels			Volume [cm ³]	Min curve radius [mm]	Max vert. movement [mm]	Suction cup weight [g]
	-20 kPa	-60 kPa	-90 kPa	-20 kPa	-60 kPa	-90 kPa				
EPDM 50	1	2.5	3.8	1	2.5	3.5	0.1	6	0.5	0.2
HNBR 60	1	2.5	3.8	1	2.5	3.5	0.1	6	0.5	0.2

Technical features

Material	Color	Hardness	Temperature range
EPDM	Black	50 Shore	-40 - +212 °F
HNBR	Blue	60 Shore	-13 - +302 °F

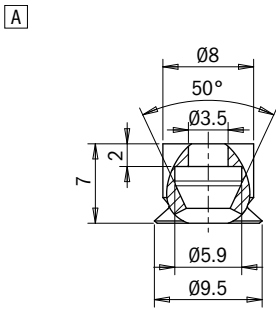
Ordering information

Drawing	Alphanumeric code	Suction cups with fitting	Order code
A	VG.U9E.50.M5M.E8	VG.U9 suction cup, EPDM, 50 Shore, M5 male, 8 mm hex	2321458
A	VG.U9H.60.M5M.E8	VG.U9 suction cup, HNBR, 60 Shore, M5 male, 8 mm hex	2321460



Ordering information

Drawing	Alphanumeric code	Suction cups	Order code
A	VG.U9E.50	VG.U9 suction cup, EPDM, 50 Shore	2321459
A	VG.U9H.60	VG.U9 suction cup, HNBR, 60 Shore	2321461



Ordering information

Drawing	Alphanumeric code	Fittings	Order code
A	FT.M5M.E8.05	M5 male fitting, 8 mm hex	2321405

