

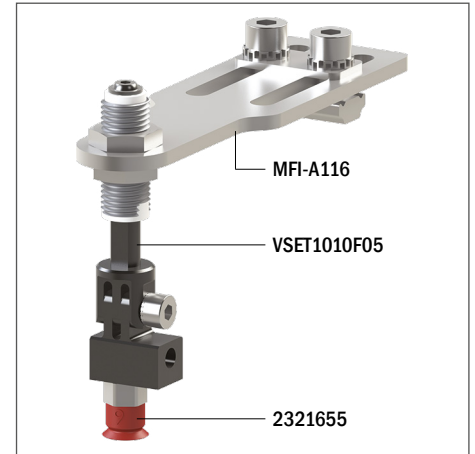
Suction cups / Silicone

VG.U9S flat silicone suction cups

- Silicone compound
- Suitable for high working temperatures
- Suitable for objects with flat or slightly curved surfaces



Application example



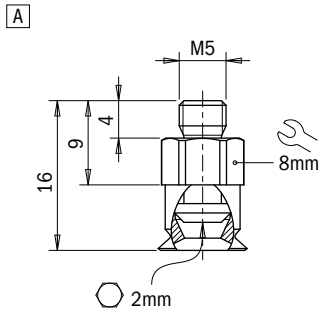
Technical data

Material	Lifting force [N] perpendicular to the surface, at various vacuum levels			Lifting force [N] parallel to the surface, at various vacuum levels			Volume [cm ³]	Min curve radius [mm]	Max vert. movement [mm]	Suction cup weight [g]
	-20 kPa	-60 kPa	-90 kPa	-20 kPa	-60 kPa	-90 kPa				
SIL 50	1	2.5	3.8	1	2.5	3.5	0.1	6	0.5	0.2

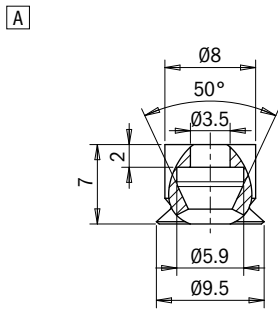
Technical features

Material	Color	Hardness	Temperature range
Silicone, SIL	Red	50 Shore	-94 - +392 °F

Ordering information			
Drawing	Alphanumeric code	Suction cups with fitting	Order code
A	VG.U9S.50.M5M.E8	VG.U9 suction cup, silicone, 50 Shore, M5 male, 8 mm hex	2321655



Ordering information			
Drawing	Alphanumeric code	Suction cups	Order code
A	VG.U9S.50	VG.U9 suction cup, silicone, 50 Shore	2321656



Ordering information			
Drawing	Alphanumeric code	Fittings	Order code
A	FT.M5M.E8.05	M5 male fitting, 8 mm hex	2321405

