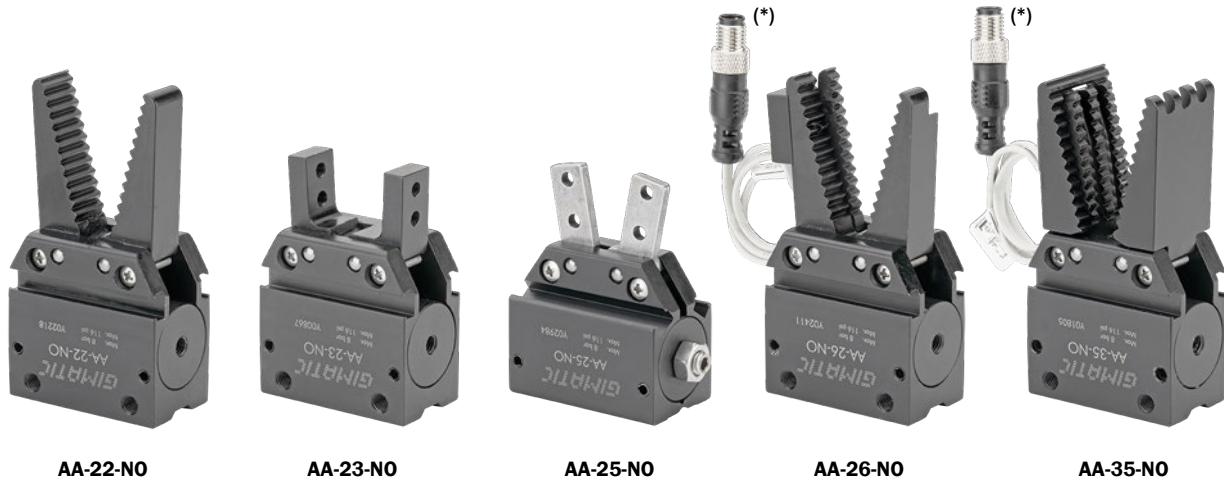


2-jaw self-centering angular pneumatic sprue gripper series AA

- Double acting or spring open (-NO).
- Very high gripping force related to the weight and dimensions.
- Different options for fastening.
- Optional magnetic sensors.
- Food grade grease FDA-H1.



AA-22-NO

AA-23-NO

AA-25-NO

AA-26-NO

AA-35-NO

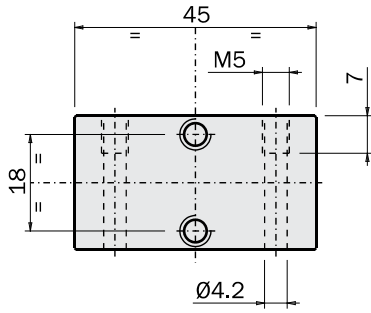
(*)

The sensor SS3N203-G is included

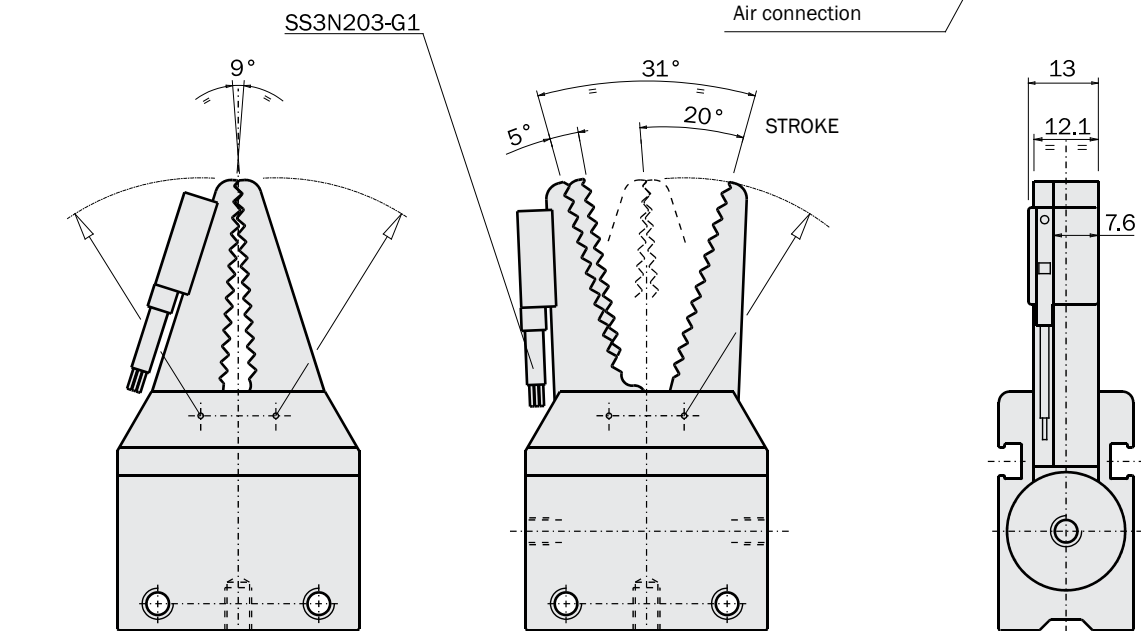
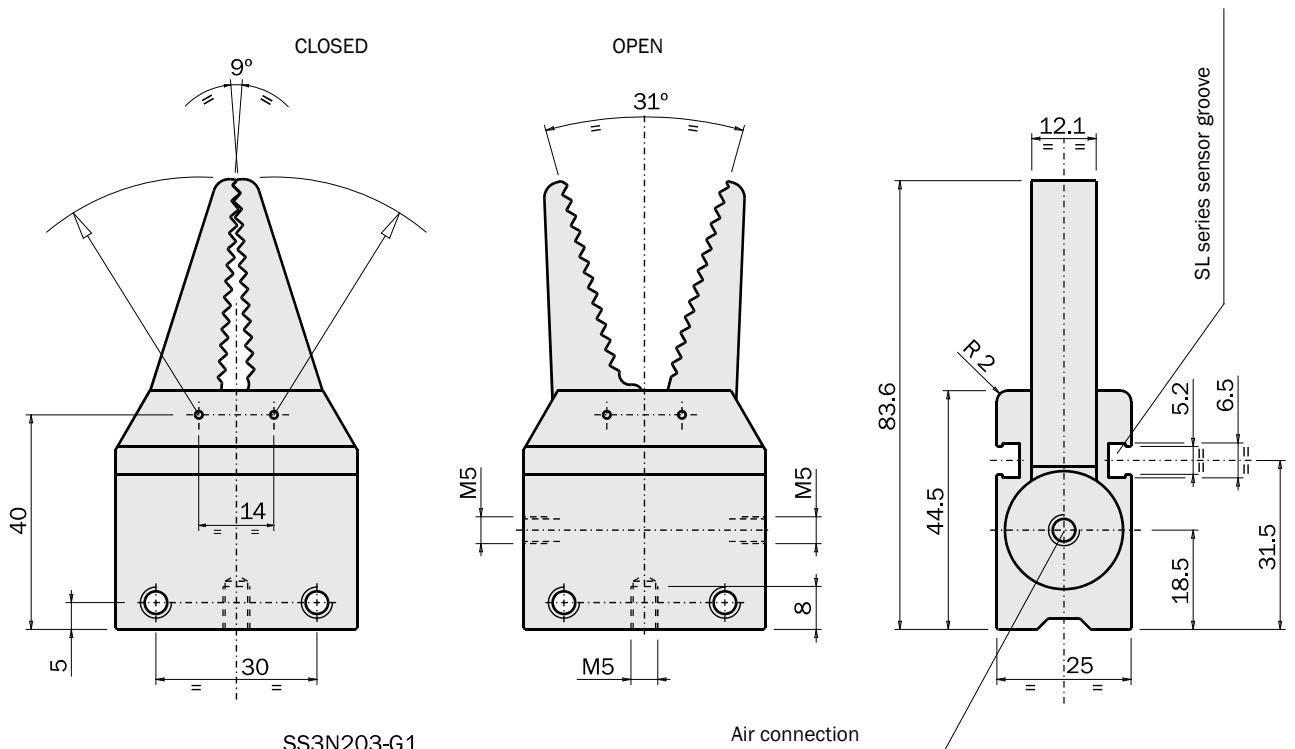
	AA-22	AA-22-NO	AA-23	AA-23-NO AA-25-NO	AA-26	AA-26-NO	AA-35	AA-35-NO
Medium	Compressed air in compliance with ISO 8573-1:2010 [7:4:4]							
Pressure range	2.5 ÷ 8 bar							
Temperature range	5 ÷ 60 °C.							
Stroke	2 x 20°							
Closing torque at 6 bar each jaw	150 Ncm	125 Ncm	150 Ncm	125 Ncm	150 Ncm	125 Ncm	150 Ncm	125 Ncm
Total closing torque at 6 bar	300 Ncm	250 Ncm	300 Ncm	250 Ncm	300 Ncm	250 Ncm	300 Ncm	250 Ncm
Opening torque at 6 bar each jaw	150 Ncm	175 Ncm	150 Ncm	175 Ncm	150 Ncm	175 Ncm	150 Ncm	175 Ncm
Total opening torque at 6 bar	300 Ncm	350 Ncm	300 Ncm	350 Ncm	300 Ncm	350 Ncm	300 Ncm	350 Ncm
Opening torque at 0 bar each jaw	0 Ncm	25 Ncm	0 Ncm	25 Ncm	0 Ncm	25 Ncm	0 Ncm	25 Ncm
Total opening torque at 0 bar	0 Ncm	50 Ncm	0 Ncm	50 Ncm	0 Ncm	50 Ncm	0 Ncm	50 Ncm
Maximum working frequency	2 Hz	2 Hz	2 Hz	2 Hz	2 Hz	2 Hz	2 Hz	2 Hz
Cycle air consumption	5 cm ³	2 cm ³	5 cm ³	2 cm ³	5 cm ³	2 cm ³	5 cm ³	2 cm ³
Closing time without load	0.02 s	0.02 s	0.02 s	0.02 s	0.02 s	0.02 s	0.02 s	0.02 s
Weight	115 g	115 g	100 g	100 g	120 g	120 g	140 g	140 g

Dimensions (mm)

AA-22
AA-22-NO
AA-26
AA-26-NO



AA-22

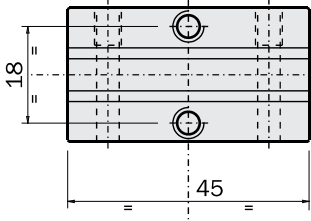


AA-26

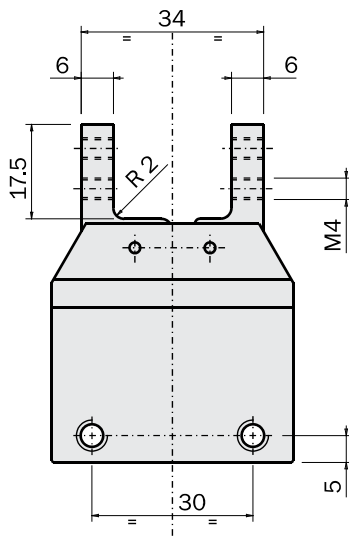
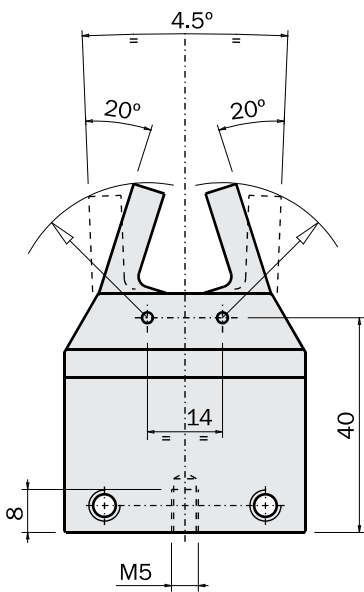
FIRST ANGLE PROJECTION

Dimensions (mm)

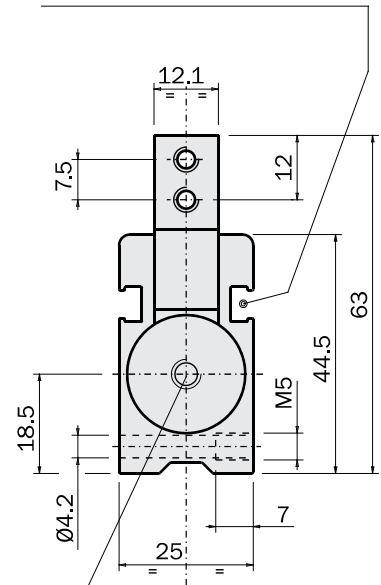
AA-23
AA-23-NO



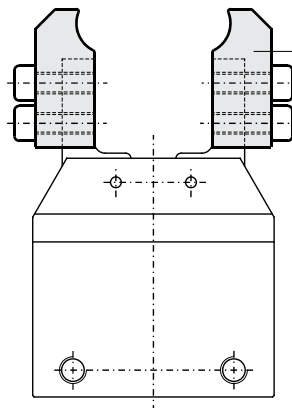
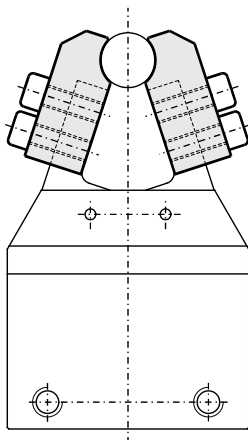
OPEN



SL series sensor groove



Air connection



Gripping tool (not supplied)

FIRST ANGLE
PROJECTION

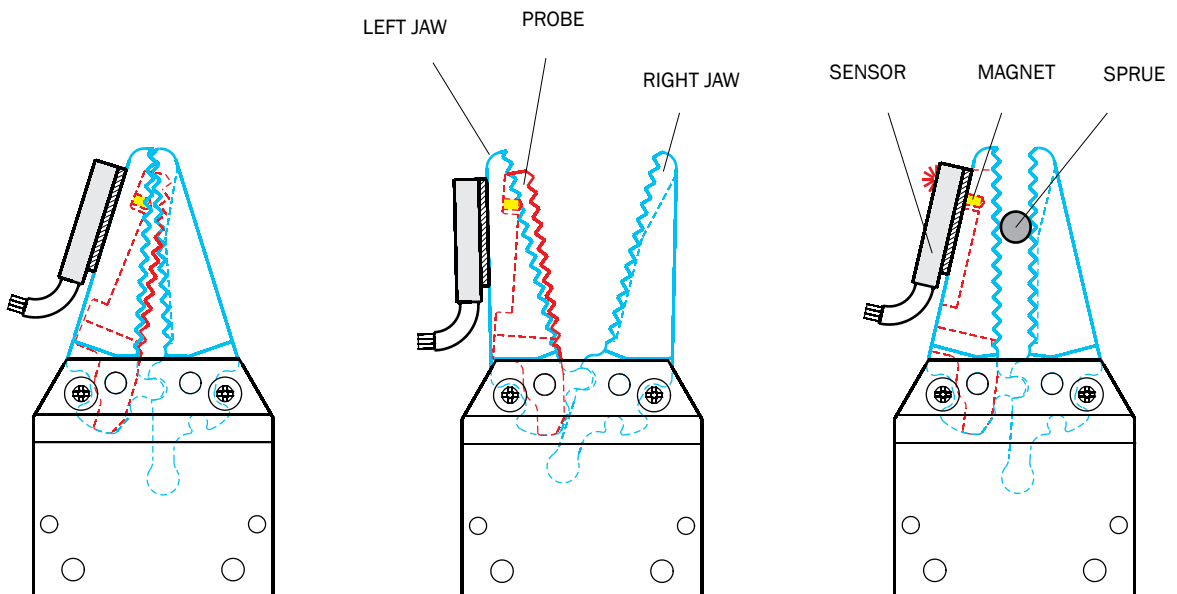
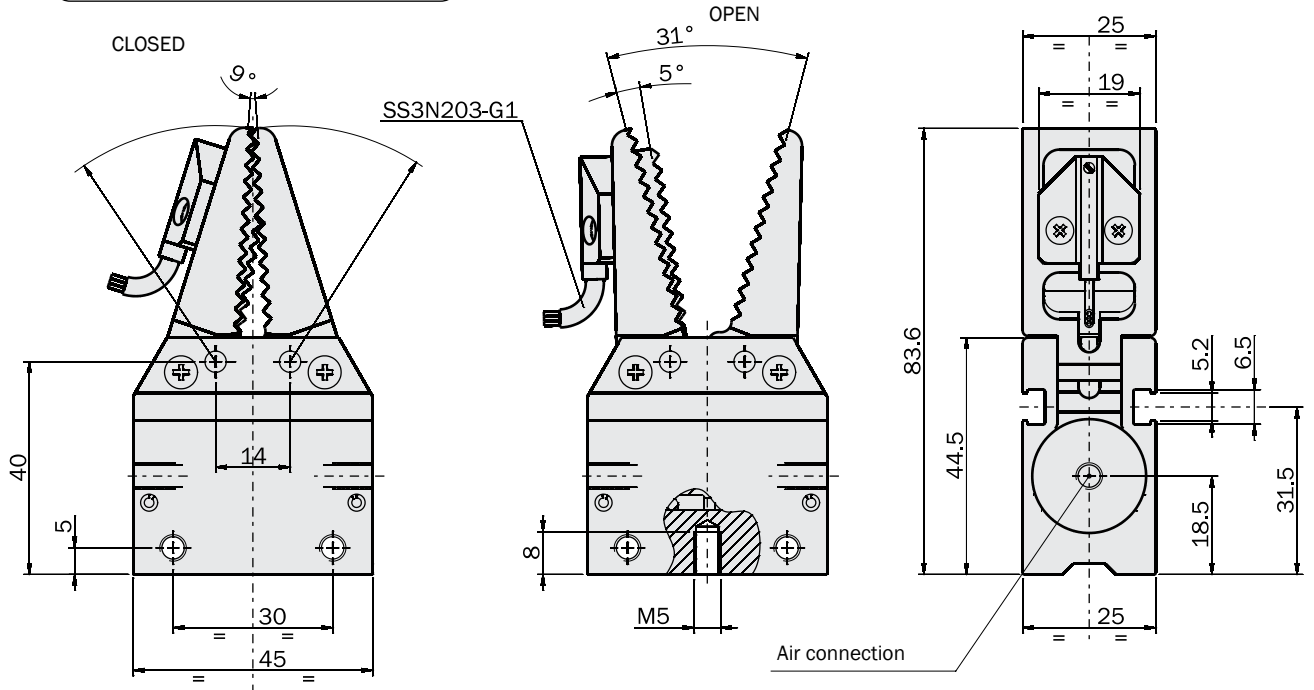
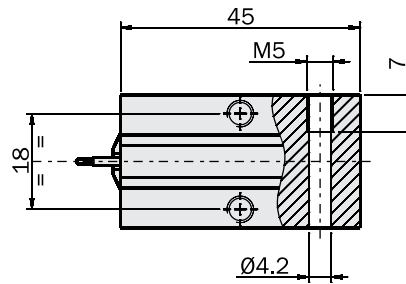
Dimensions (mm)

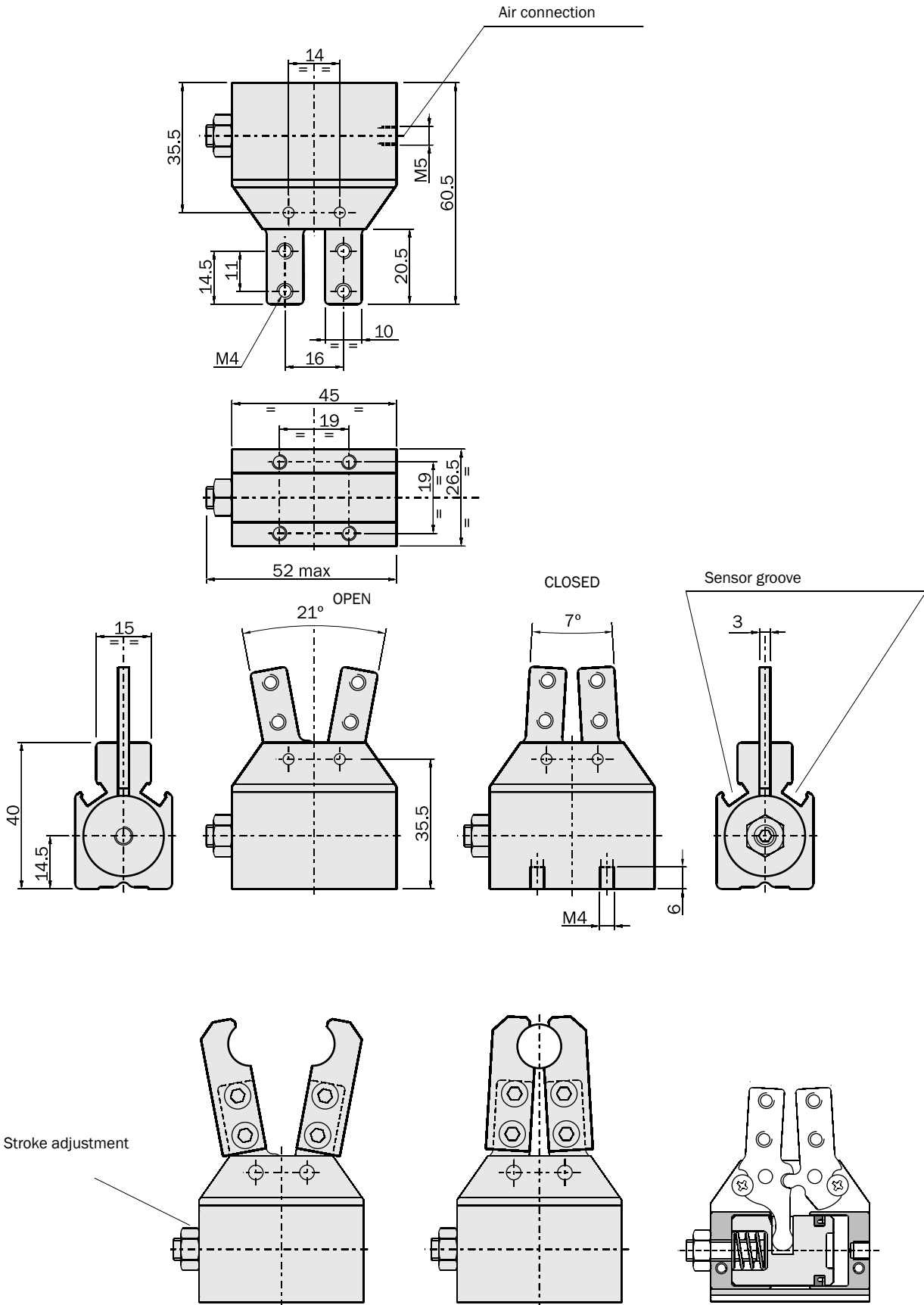
AA-35
AA-35-NO

Wider, grooved fingers for a better gripping



FIRST ANGLE PROJECTION





FIRST ANGLE PROJECTION