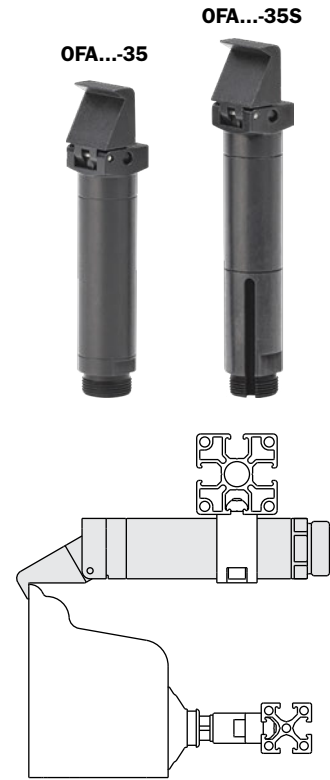


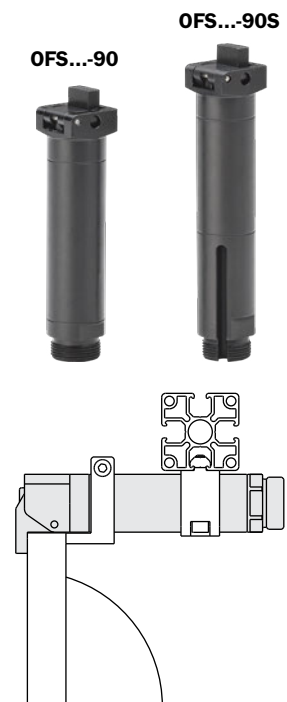
One finger angular pneumatic grippers for clamping, series OF

- Single acting.
- Optional magnetic sensors.
- Food grade grease FDA-H1.

	OFA14-35	OFA20-35 OFA20-35S	OFA30-35 OFA30-35S	OFA50-35 OFA50-35S
Medium	Compressed air in compliance with ISO 8573-1:2010 [7:4:4]			
Gripper body	Aluminium			
Pressure range	2.5 ÷ 8 bar			
Temperature range	5 ÷ 60 °C.			
Stroke	35°			
Piston bore	Ø10 mm	Ø16 mm	Ø25 mm	Ø40 mm
Closing torque at 6 bar	26 Ncm	100 Ncm	430 Ncm	1900 Ncm
Cycle air consumption	0.4 cm ³	1.24 cm ³	4.56 cm ³	43 cm ³
Weight	25 g	65 g 86 g	206 g 272 g	860 g 1060 g

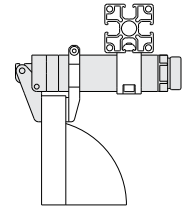


	OFS14-90	OFS20-90 OFS20-90S	OFS30-90 OFS30-90S
Medium	Compressed air in compliance with ISO 8573-1:2010 [7:4:4]		
Gripper body	Aluminium		
Pressure range	2.5 ÷ 8 bar		
Temperature range	5 ÷ 60 °C.		
Stroke	95°		
Piston bore	Ø10 mm	Ø16 mm	Ø25 mm
Closing torque at 6 bar	19 Ncm	70 Ncm	300 Ncm
Cycle air consumption	1 cm ³	3.52 cm ³	12.9 cm ³
Weight	23 g	60 g 80 g	185 g 245 g



One finger angular pneumatic grippers for clamping, series OF

- Single acting.
- Optional magnetic sensors.
- Food grade grease FDA-H1.



	OFR14-95	OFR20-95 OFR20-95S	OFR30-95 OFR30-95S	OFR50-95 OFR50-95S
Medium	Compressed air in compliance with ISO 8573-1:2010 [7:4:4]			
Gripper body	Aluminium			
Pressure range	2.5 ÷ 8 bar			
Temperature range	5 ÷ 60 °C.			
Stroke	95°			
Piston bore	Ø10 mm	Ø16 mm	Ø25 mm	Ø40 mm
Closing torque at 6 bar	19 Ncm	70 Ncm	300 Ncm	1250 Ncm
Cycle air consumption	1 cm ³	3.52 cm ³	12.9 cm ³	80 cm ³
Weight	25 g	60 g 81 g	193 g 257 g	790 g 990 g



	OFR14-95M	OFR20-95M OFR20-95SM	OFR30-95M OFR30-95SM
Medium	Compressed air in compliance with ISO 8573-1:2010 [7:4:4]		
Gripper body	Aluminium		
Pressure range	2.5 ÷ 8 bar		
Temperature range	5 ÷ 60 °C.		
Stroke	95°		
Piston bore	Ø10 mm	Ø16 mm	Ø25 mm
Closing torque at 6 bar	19 Ncm	70 Ncm	300 Ncm
Cycle air consumption	1 cm ³	3.52 cm ³	12.9 cm ³
Weight	25 g	60 g 81 g	790 g 990 g

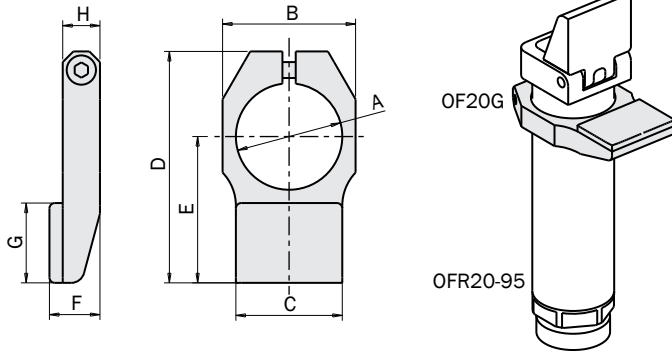


	OFR14-95G	OFR20-95G OFR20-95SG	OFR30-95G OFR30-95SG
Medium	Compressed air in compliance with ISO 8573-1:2010 [7:4:4]		
Gripper body	Aluminium		
Pressure range	2.5 ÷ 8 bar		
Temperature range	5 ÷ 60 °C.		
Stroke	95°		
Piston bore	Ø10 mm	Ø16 mm	Ø25 mm
Closing torque at 6 bar	19 Ncm	70 Ncm	300 Ncm
Cycle air consumption	1 cm ³	3.52 cm ³	12.9 cm ³
Weight	30 g	80 g 100 g	230 g 300 g



Stopper for OFR grippers

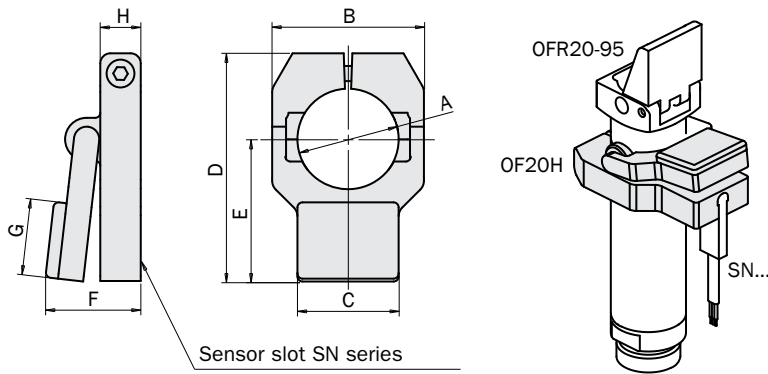
(kit with screws)



	OF14G	OF20G	OF30G
A [mm]	Ø14	Ø20	Ø30
B [mm]	19	25	37
C [mm]	14	20	30
D [mm]	32	43.5	63
E [mm]	19	27.5	40
F [mm]	10	9.5	12
G [mm]	11	15	20
H [mm]	6	7	9
Weight	6g	12g	30g

Stopper for magnetic sensor

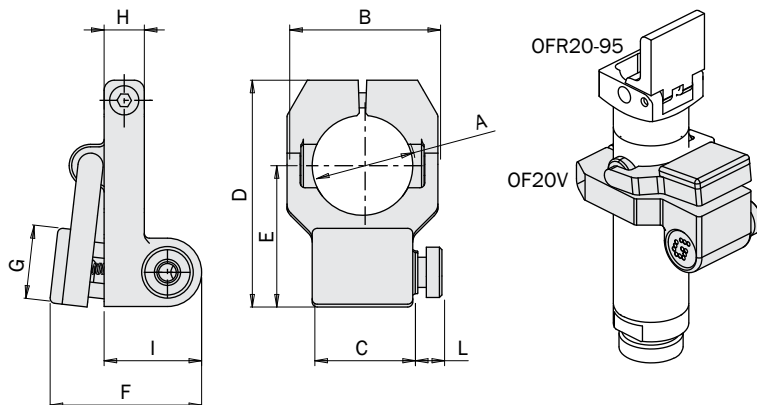
(kit with screws)



	OF14H	OF20H	OF30H
A [mm]	Ø14	Ø20	Ø30
B [mm]	22	30	42
C [mm]	14	20	30
D [mm]	34.5	45	64
E [mm]	21	28	40
F [mm]	17.6	18.7	25.5
G [mm]	11	15	20
H [mm]	8	8	12
I [mm]	Slot for SN sensors		
Weight	15g	20g	28g

Stopper for vacuum sensor

(kit with screws)



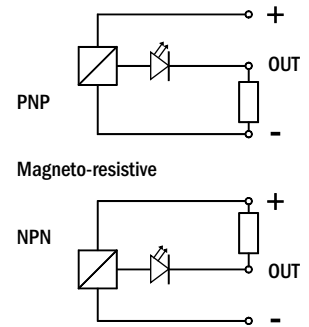
	NEW OF14V	NEW OF20V	NEW OF30V
A [mm]	Ø14	Ø20	Ø30
B [mm]	22	30	42
C [mm]	14	20	30
D [mm]	34.5	45.1	64
E [mm]	21	28.1	40
F [mm]	28.9	30.1	38
G [mm]	11	15	20
H [mm]	8	8	12
I [mm]	19.3	19.5	24.4
L [mm]	11.3	5.8	5.8
Weight	?	?	?

Optional magnetic sensors

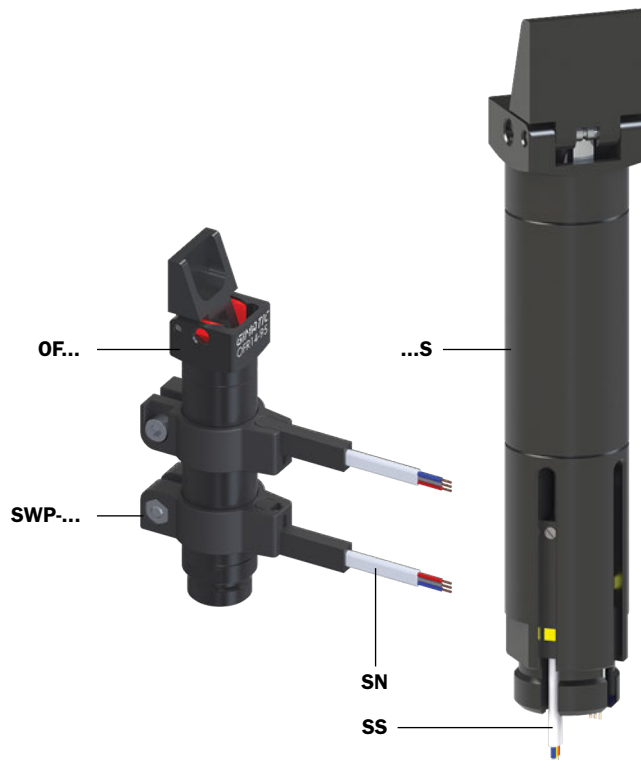
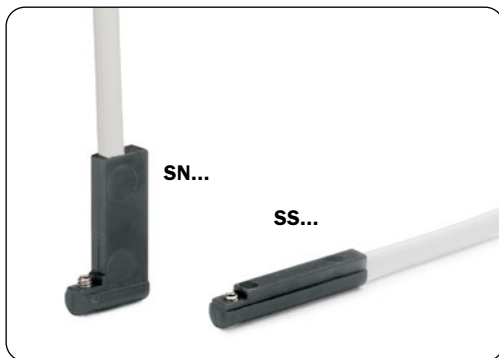
The operating position is detected by magnetic proximity sensors (optional) through a magnet placed on the piston. The use of magnetic proximity sensors is to be avoided in the vicinity of large masses of ferromagnetic material or intense magnetic fields as this may cause detection problems.

The sensors that can be used are:

SN4N225-G	PNP	2.5m cable
SN4M225-G	NPN	
SN3N203-G	PNP	Snap M8 plug connector
SN3M203-G	NPN	
SS4N225-G	PNP	2.5m cable
SS4M225-G	NPN	
SS3N203-G	PNP	Snap M8 plug connector
SS3M203-G	NPN	



They are all provided with a 3-wire flat cable and a LED.

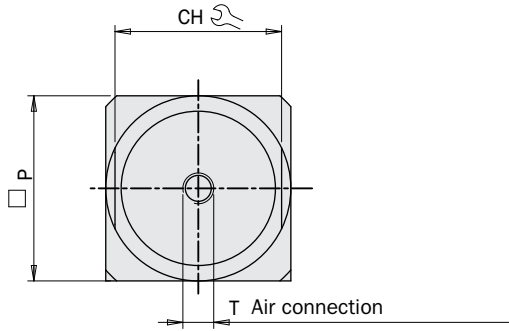


OF...	SWP...
OF14...	SWP-014
OF20...	SWP-020
OF30...	SWP-030

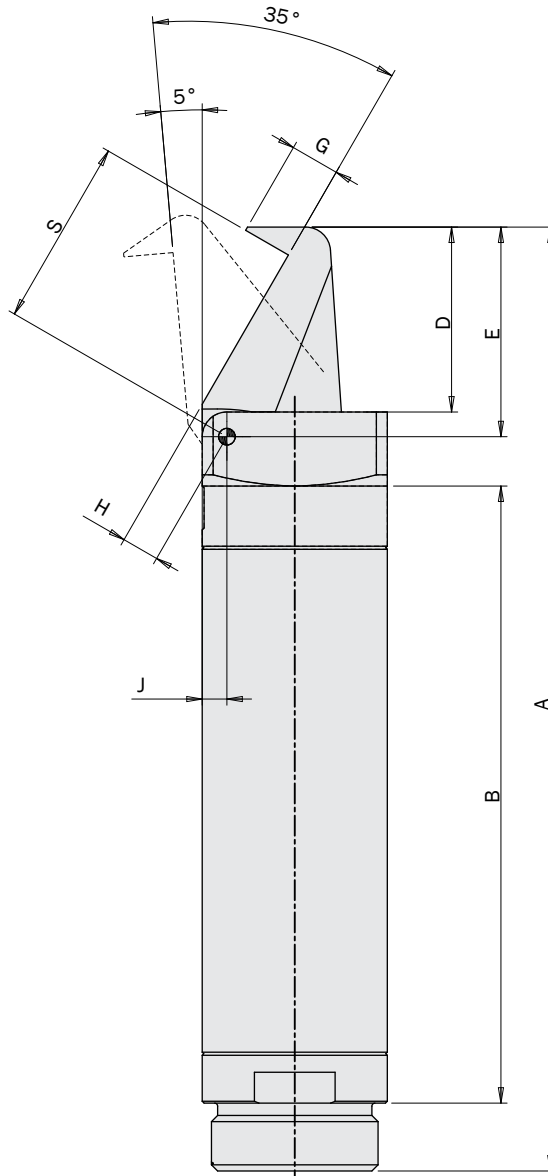
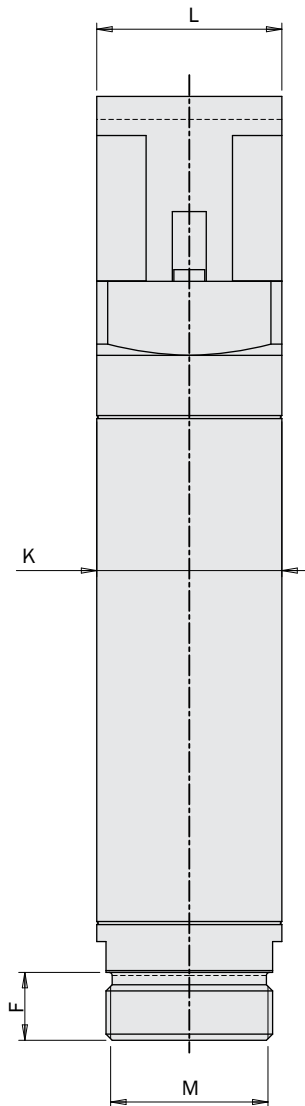
In the ...S versions, the sensors are embedded in their slots. In the other versions, an external bracket (SWP-...) is required.

Dimensions (mm)

OFA...



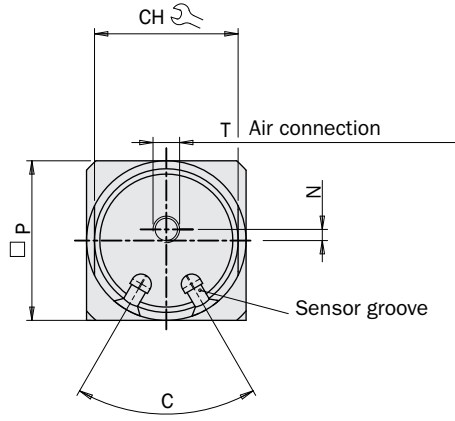
	OFA14-35	OFA20-35	OFA30-35	OFA50-35
A	74	106	153	235.5
B	45.5	68.5	100	139
D	14	20.5	30	49.5
E	16	23	34	56
F	5.5	8	11	25
G	4.5	6	8	14
H	3.4	3.9	6	10
J	2	2.5	4	6.5
K	Ø14	Ø20	Ø30	Ø50
L	14	20	30	50
M	M12x1	M17x1	M27x1	M45x1
P	14	20	30	50
S	13.5	20.2	30.5	50
T	M5	M5	M5	G1/8"
CH	12	17	27	46



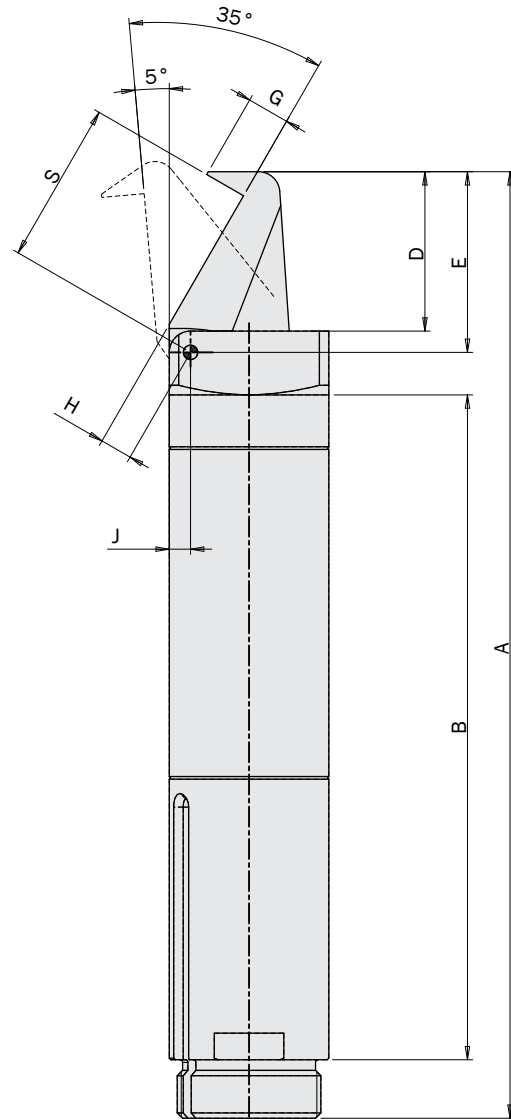
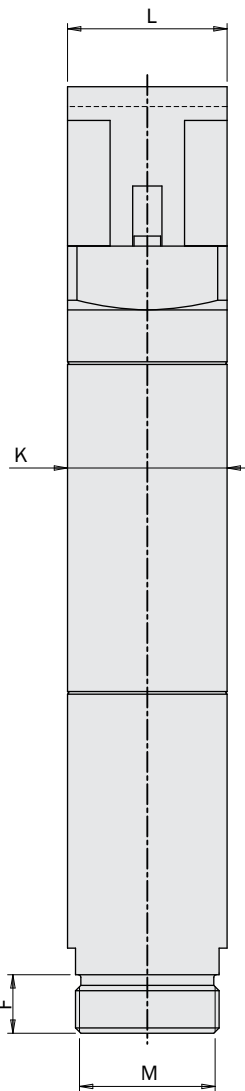
FIRST ANGLE PROJECTION

Dimensions (mm)

OFA...S



	OFA20-35S	OFA30-35S	OFA50-35S
A	120.5	178	280
B	83	125	184
C	80°	60°	60°
D	20.5	30	49.5
E	23	34	56
F	8	11	25
G	6	8	14
H	3.9	6	10
J	2.5	4	6.5
K	∅20	∅30	∅50
L	20	30	50
M	M17x1	M27x1	M45x1.5
N	1.5	-	-
P	20	30	50
S	20.2	30.5	50
T	M5	M5	G1/8"
CH	17	27	46

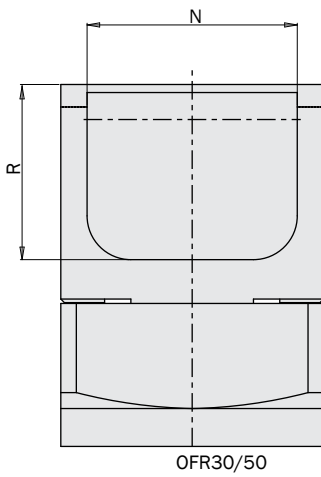
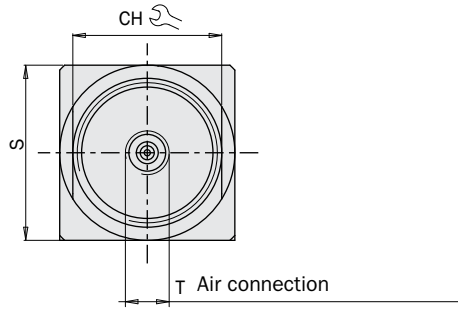


FIRST ANGLE PROJECTION

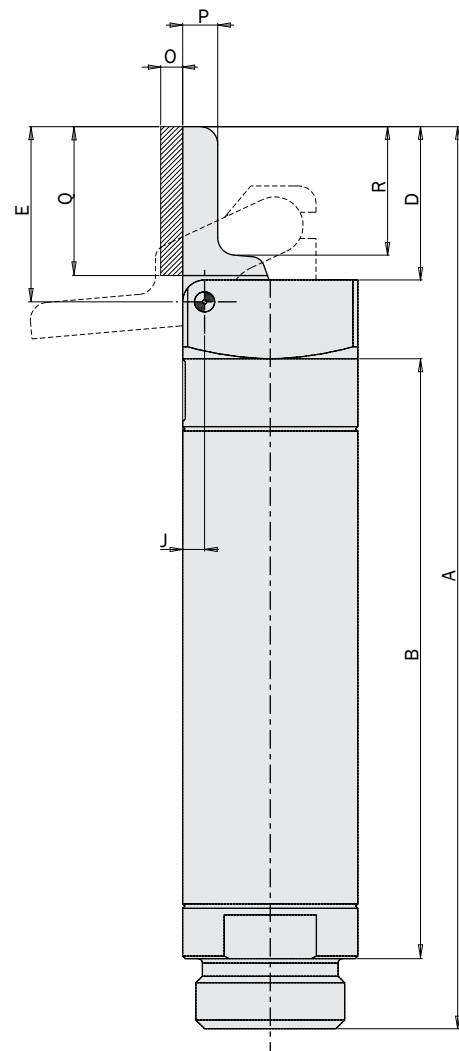
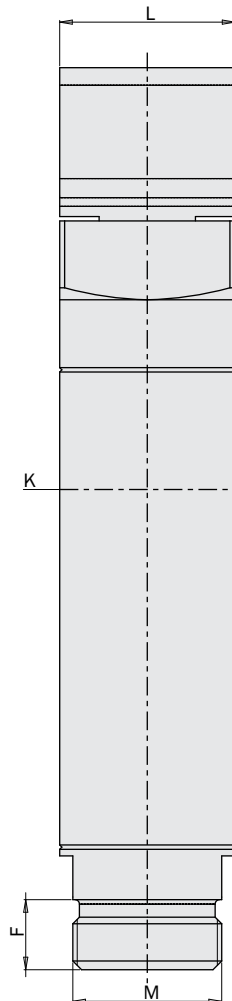
Dimensions (mm)

OFR...

	A	B	D	E	F	J	K	L	M	N	O	P	Q	R	S	T	CH
OFR14-95	72	45.5	12	14	5.5	2	Ø14	14	M12x1	-	-	3	-	9.5	14	M5	12
OFR20-95	103	68.5	17.5	20	8	2.5	Ø20	20	M17x1	-	-	4	-	14.5	20	M5	17
OFR30-95	148	100	25	29	11	4	Ø30	30	M27x1	24	-	5	-	20	30	M5	27
OFR50-95	227.5	139	41.5	48	25	6.5	Ø50	50	M45x1.5	38	-	7	-	34	50	G1/8"	46
OFR14-95M	72	45.5	12	14	5.5	2	Ø14	14	M12x1	-	2.5	3	11	9.5	14	M5	12
OFR20-95M	103	68.5	17.5	20	8	2.5	Ø20	20	M17x1	-	2.5	4	15	14.5	20	M5	17
OFR30-95M	148	100	25	29	11	4	Ø30	30	M27x1	24	3	5	20	20	30	M5	27



OFR30/50

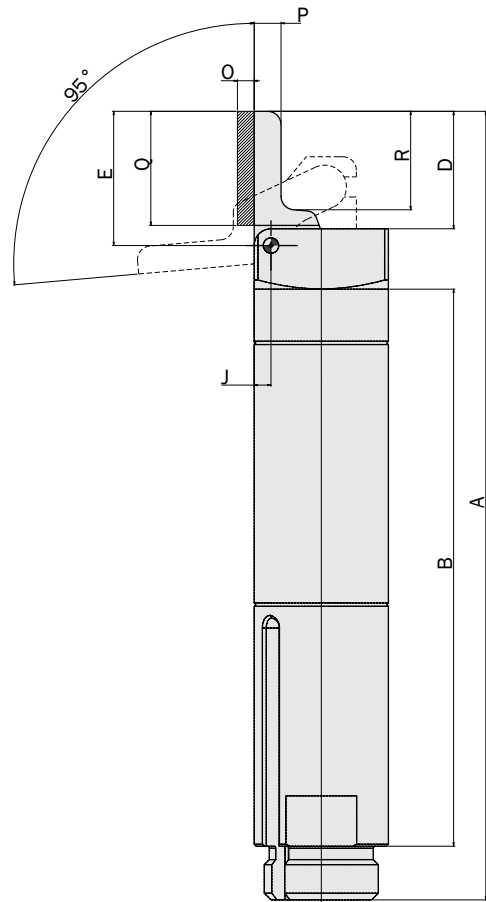
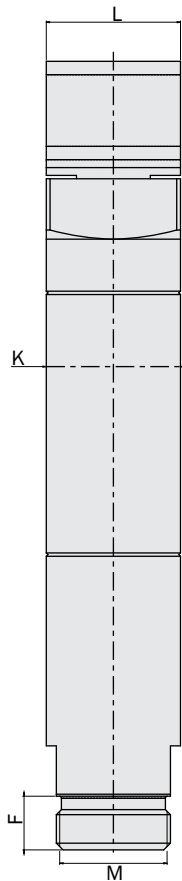
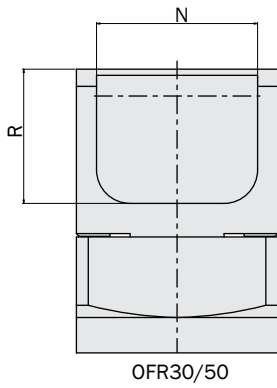
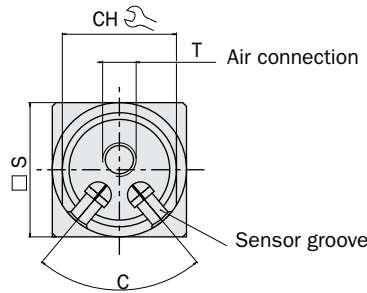


FIRST ANGLE PROJECTION

Dimensions (mm)

OFR...S

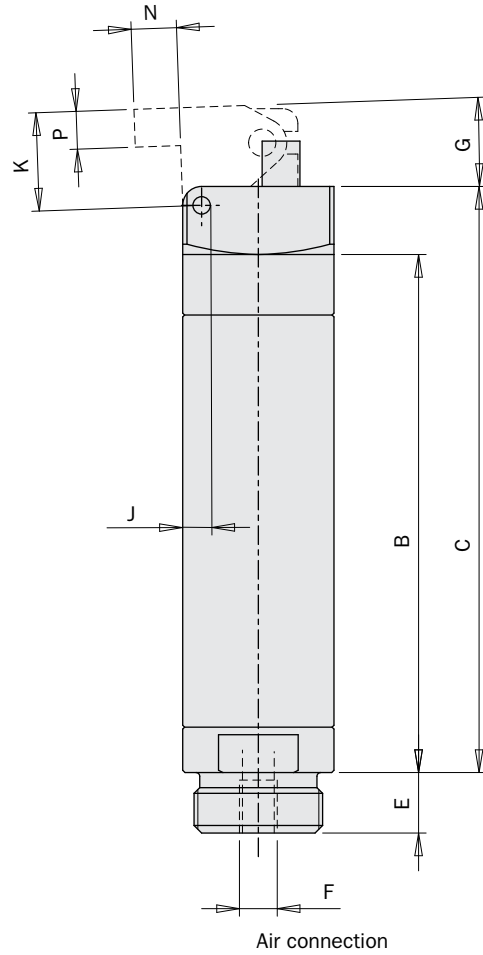
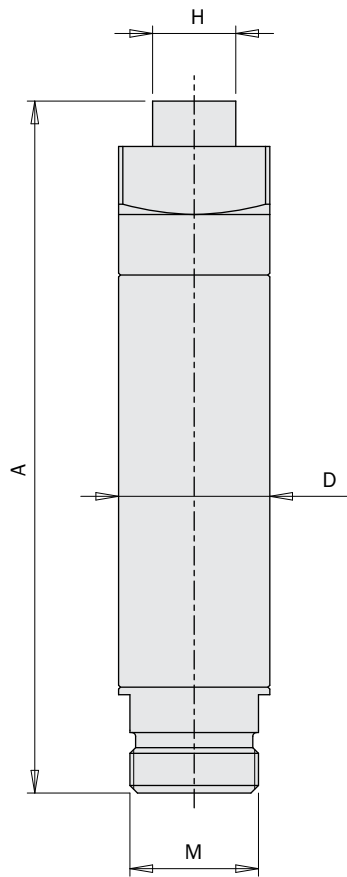
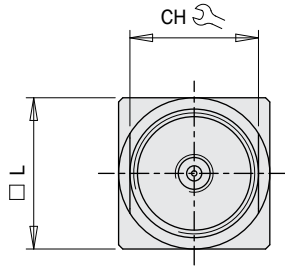
	A	B	C	D	E	F	J	K	L	M	N	O	P	Q	R	S	T	U	CH
OFR20-95S	117.5	83	80°	17.5	20	8	2.5	∅20	20	M17x1	-	-	4	-	14.5	20	M5	1.5	17
OFR30-95S	173	125	60°	25	29	11	4	∅30	30	M27x1	24	-	5	-	20	30	M5	-	27
OFR50-95S	272.5	209	60°	41.5	48	25	6.5	∅50	50	M45x1.5	36	-	7	-	34	50	G1/8"	-	46
OFR20-95SM	117.5	83	80°	17.5	20	8	2.5	∅20	20	M17x1	-	2.5	4	15	14.5	20	M5	1.5	17
OFR30-95SM	173	125	60°	25	29	11	4	∅30	30	M27x1	24	3	5	20	20	30	M5	-	27



Dimensions (mm)

OFS...

	A	B	C	D	E	F	G	H	J	K	L	M	N	P	CH
OFS14-90	64	45.5	54.5	Ø14	5.5	M5	2°	8	2	9	14	M12x1	4	4	12
OFS20-90	91.5	68.5	77.5	Ø20	8	M5	2°	11	2.5	13	20	M17x1	6	5	17
OFS30-90	134	100	112	Ø30	11	M5	2°	14	4	20	30	M27x1	11	6	27

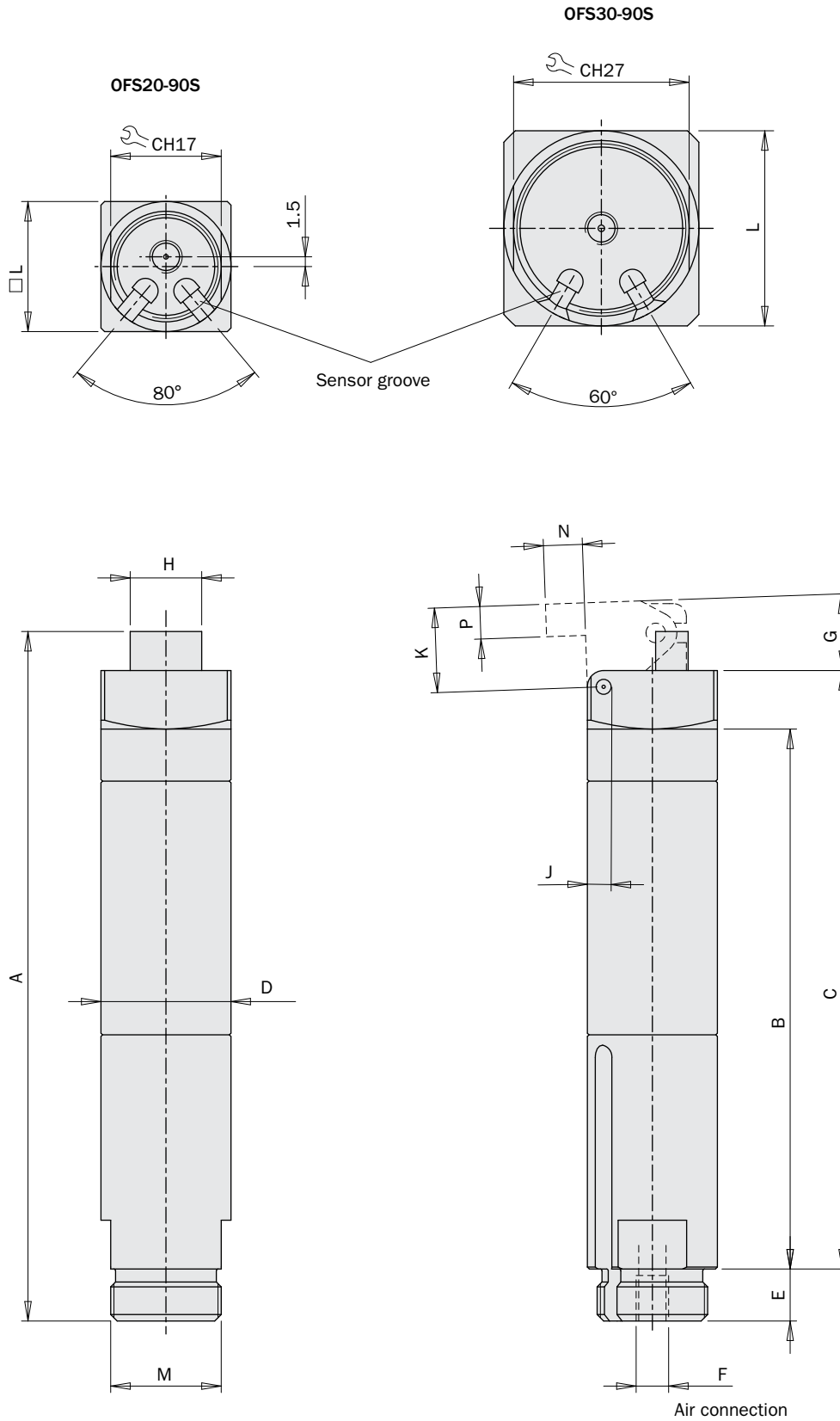


FIRST ANGLE PROJECTION

Dimensions (mm)

OFS...S

	A	B	C	D	E	F	G	H	J	K	L	M	N	P
OFS20-90S	106	83	92	Ø20	8	M5	2°	11	2.5	13	20	M17x1	6	5
OFS30-90S	159	125	137	Ø30	11	M5	2°	14	4	20	30	M27x1	11	6

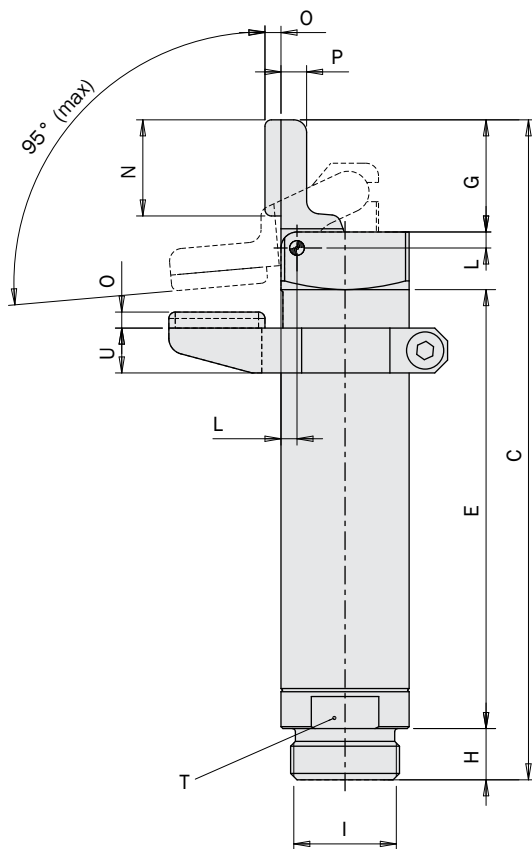
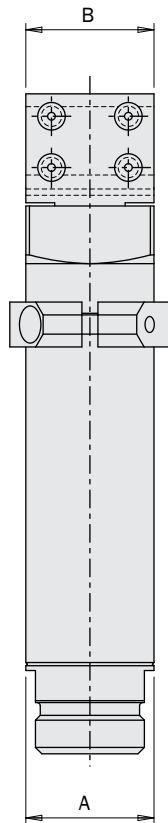
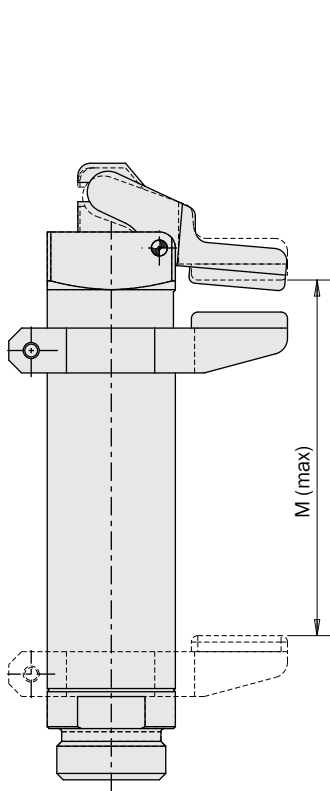
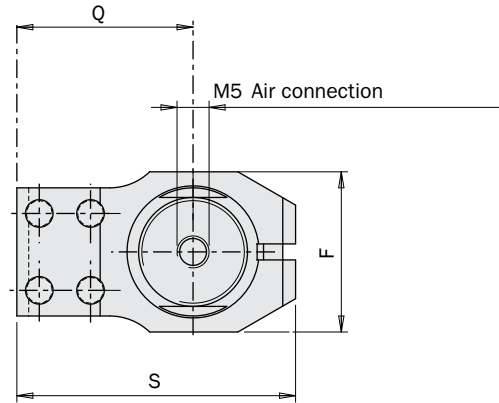
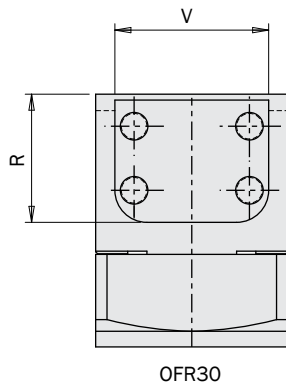


FIRST ANGLE PROJECTION

Dimensions (mm)

OFR...95G

	A	B	C	E	F	G	H	I	L	M	N	O	P	Q	R	S	T	U	V
OFR14-95G	Ø14	14	72	45.5	19	12	5.5	M12x1	2	32.5	11	2.5	3	19	-	32	12	7.5	-
OFR20-95G	Ø20	20	103	68.5	25	17.5	8	M17x1	2.5	55.5	15	2.5	4	27.5	-	43.5	17	7	-
OFR30-95G	Ø30	30	148	100	37	25.5	11	M27x1	4	84	20	3	5	40	20	63	27	9	24

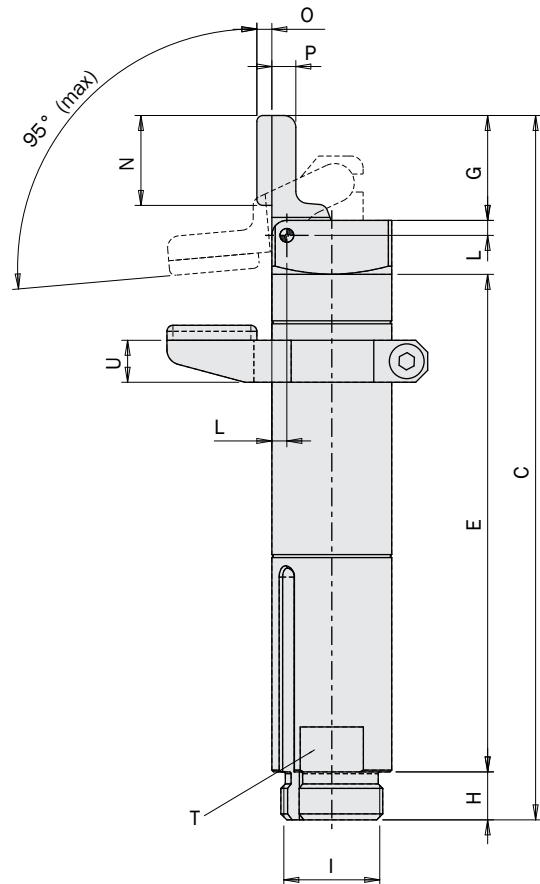
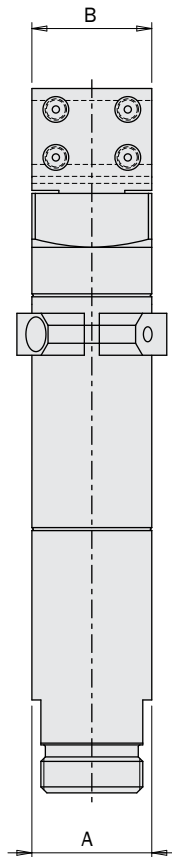
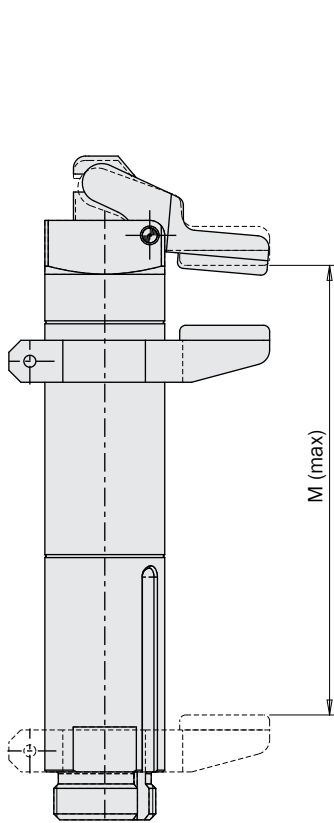
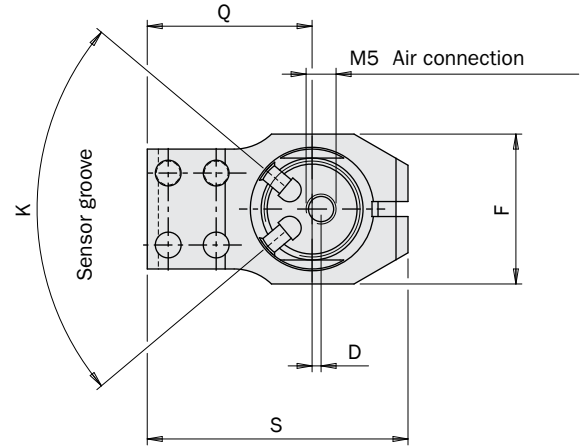
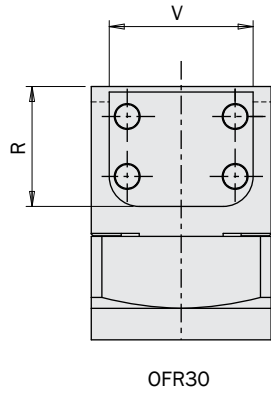


FIRST ANGLE PROJECTION

Dimensions (mm)

OFR...-95SG

	A	B	C	D	E	F	G	H	I	K	L	M	N	O	P	Q	R	S	T	U	V
OFR20-95SG	∅20	20	117.5	1.5	83	25	17.5	8	M17x1	80°	2.5	75	15	2.5	4	27.5	-	43.5	17	7	-
OFR30-95SG	∅30	30	173	-	124.7	37	25	11	M27x1	60°	4	113	20	3	5	40	20	63	27	9	24



FIRST ANGLE PROJECTION