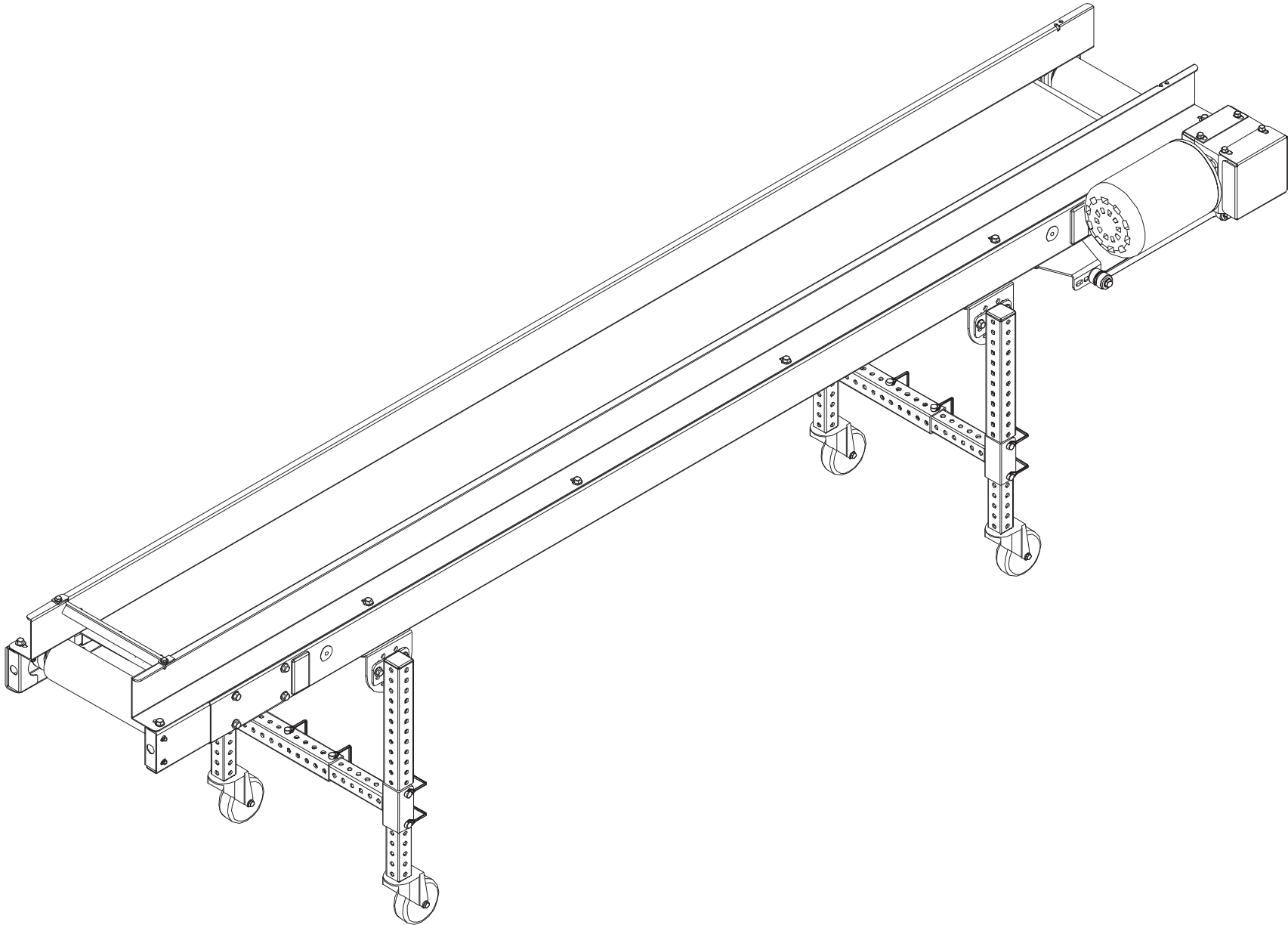


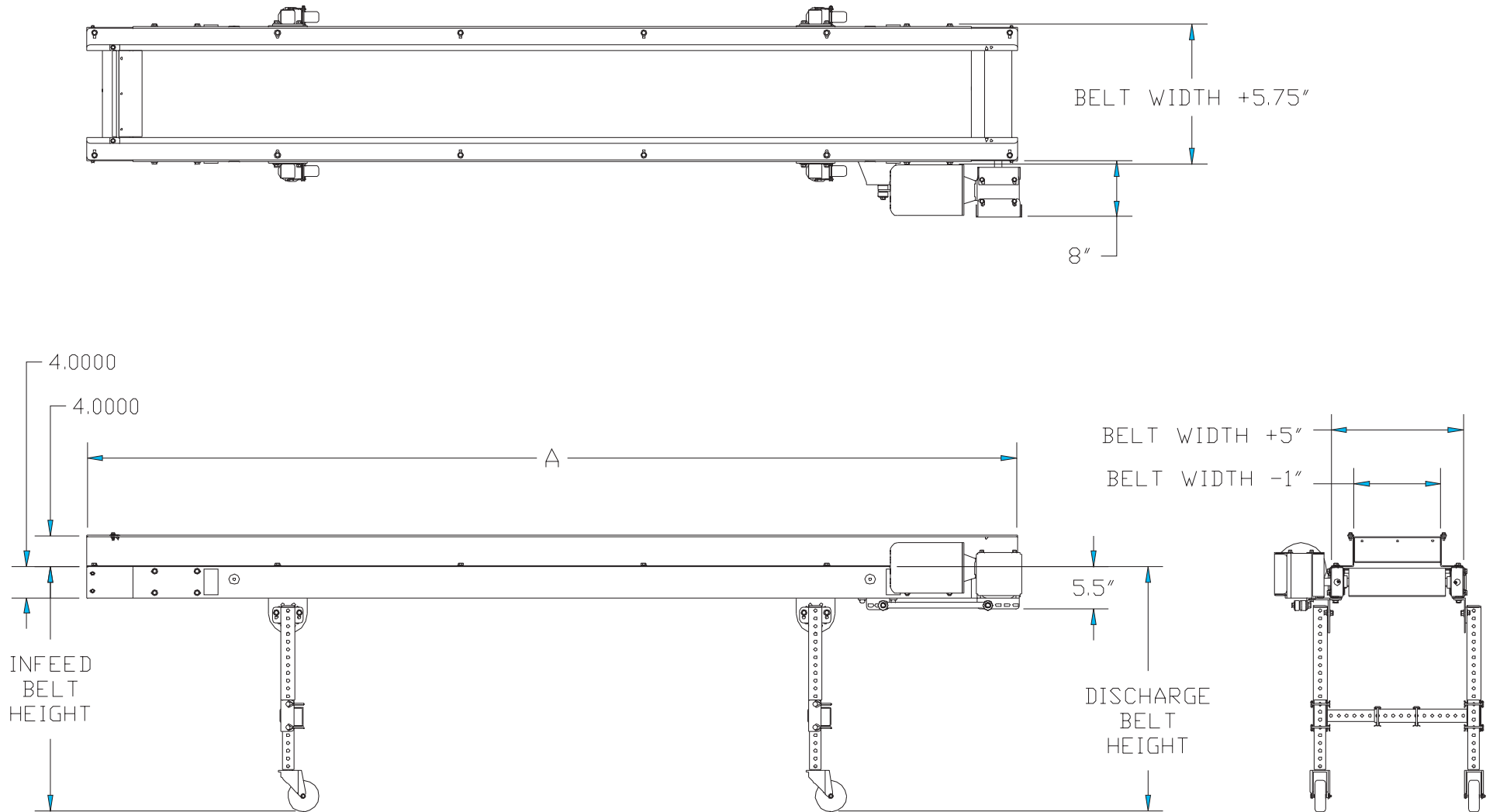
SECTION VIII. PARTS LISTS AND 3-D DRAWINGS

DDF CONVEYOR - ASSEMBLED VIEW



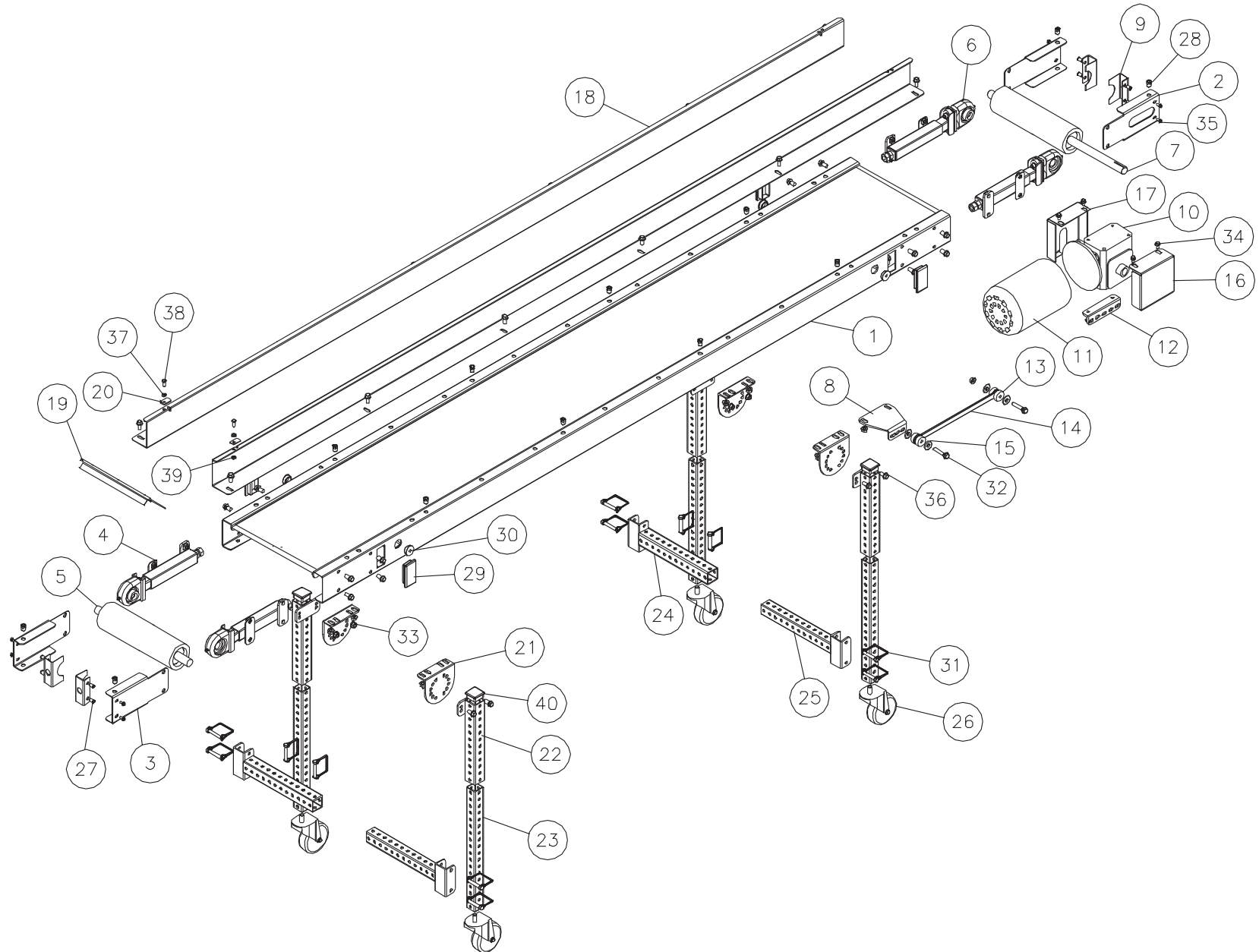
SECTION VIII. PARTS LISTS AND 3-D DRAWINGS

DDF CONVEYOR - CATALOG VIEW



SECTION VIII. PARTS LISTS AND 3-D DRAWINGS

DDF CONVEYOR - EXPLODED VIEW



DDF CONVEYOR PARTS LIST

ITEM	QTY	PART DESCRIPTION	EMI P/N	ITEM	QTY	PART DESCRIPTION	EMI P/N
1	1	FRAME ASSY	2M-206-L-W	21	4	LEG MOUNTING BRACKET	2M-14-7
2	1	DRIVE SIDE PULLEY GUARD	2M-08-2	22	4	TELESPAR LEG EXTENSION	SEE CHART
3	3	PULLEY GUARD	2M-08-1	23	4	TELESPAR LEG WELDMENT	SEE CHART
4	2	TAKE-UP BEARING (TAIL)	2M-232-3	24	2	ADJUSTABLE LEG BRACE EXTENSION	SEE CHART
5	1	TAIL PULLEY	2M-224-1-W	25	2	ADJUSTABLE LEG BRACE	SEE CHART
6	2	TAKE-UP BEARING (DRIVE)	2M-232-4	26	4	CASTOR	CP-1239
7	1	DRIVE PULLEY	2M-210-1-W	27	8	1/4-20 NUTSERT	CP-2132
8	1	REACTION ROD BRACKET	2M-14-29	28	12	3/8-16 NUTSERT	CP-2856
9	4	BEARING COVER	2M-67-1	29	4	3"x1-1/2" PLUG	CP-1581
10	1	STANDARD REDUCER (<i>verify</i>)	CP-2883	30	4	ROUND PLUG	EL-395
11	1	STANDARD (A.C.) MOTOR (<i>verify</i>)	EL-116B	31	12	CLIP PIN	CP-2889
12	1	REACTION ROD BRACKET (REDUCER)	2M-14-28	32	2	3/8-16 x 2 HEX HEAD SCREW	CP-3176
13	2	BLUE UNIVERSAL MOUNT (THIN)	CP-3178	33	20	3/8-16 HEX NUT	CP-2869
14	1	REACTION ROD	2M-38-1	34	6	5/16-18 x 3/4 HEX HEAD SCREW	CP-2941
15	4	3/8 FLAT WASHER	CP-671	35	8	1/4-20 x 1/2 HEX HEAD SCREW	CP-3067
16	1	DIRECT DRIVE GUARD (OUTSIDE)	3E-08-794	36	46	3/8-16 x 3/4 HEX HEAD SCREW	CP-2890
17	1	DIRECT DRIVE GUARD (INSIDE)	2M-08-3	37	2	1/4 WASHER	CP-654
18	2	RAILS	2M-33-L	38	2	1/4-28 x 3/4 HEX HEAD BOLT	CP-125
19	1	FLAPPER	2E-249-5-W	39	2	1/4-28 HEX NUT	CP-517
20	2	FLAPPER CLIP	2E-01-10	40	4	SQUARE PLUG	CP-2924

Part numbers listed in this document are for reference only. When buying replacement parts please provide your conveyor model & serial number to ensure the correct part.