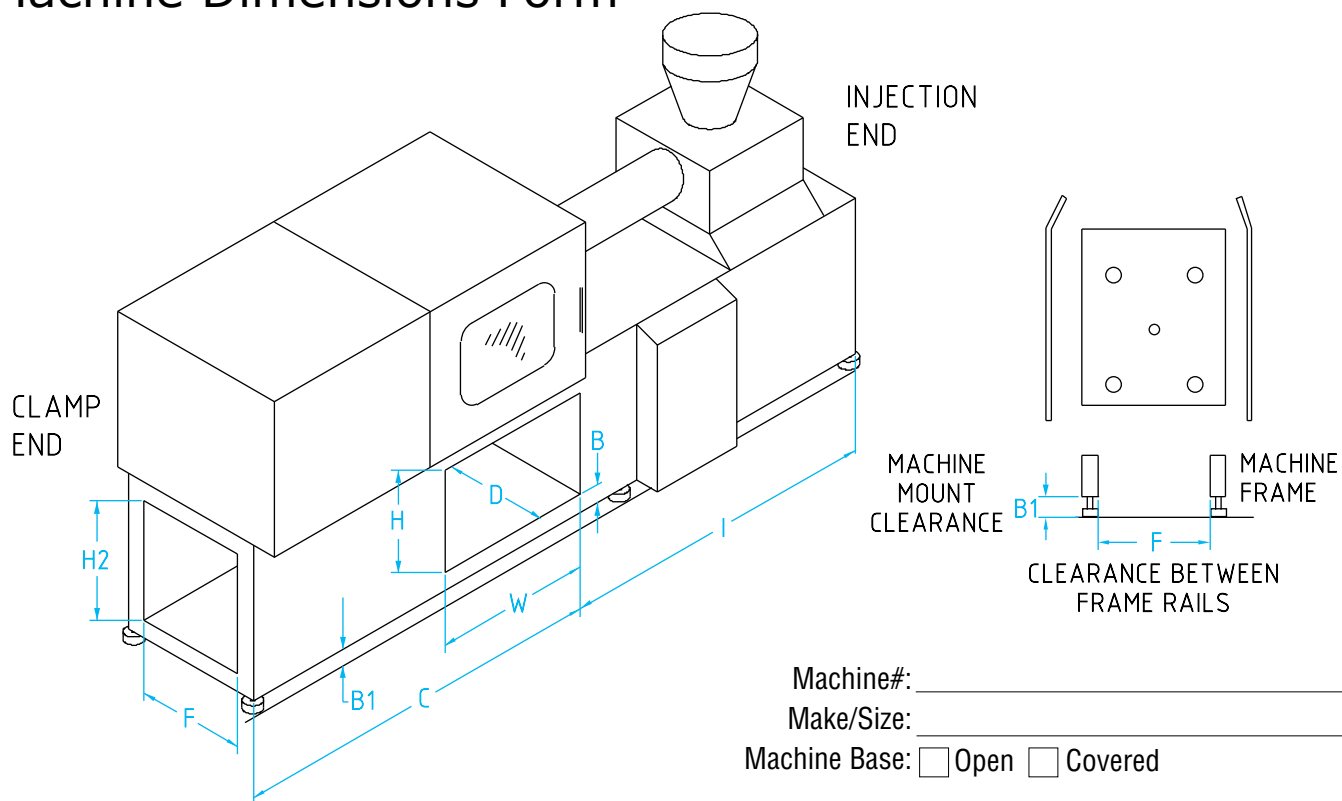
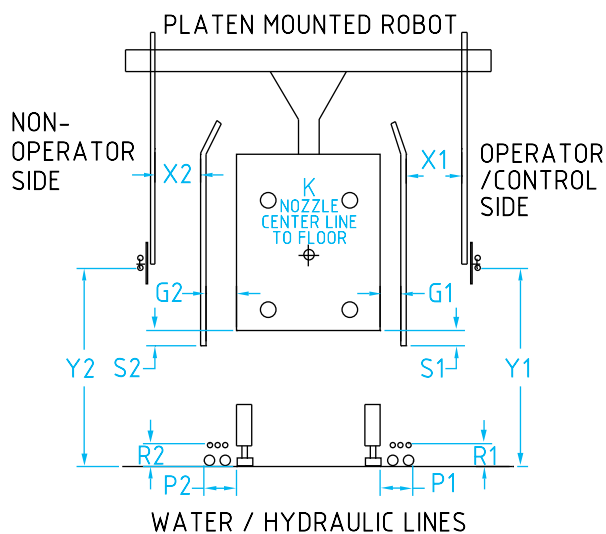


Machine Dimensions Form



D	W	H	H2	B	C	I	B1	F



K	X1	X2	Y1	Y2	G1	G2	S1	S2	R1	R2	P1	P2

Company: _____ Telephone: _____

Name: _____ Email: _____

Date: _____ Quote Order Quote # _____

Submit form to Sales@EMICorp.com