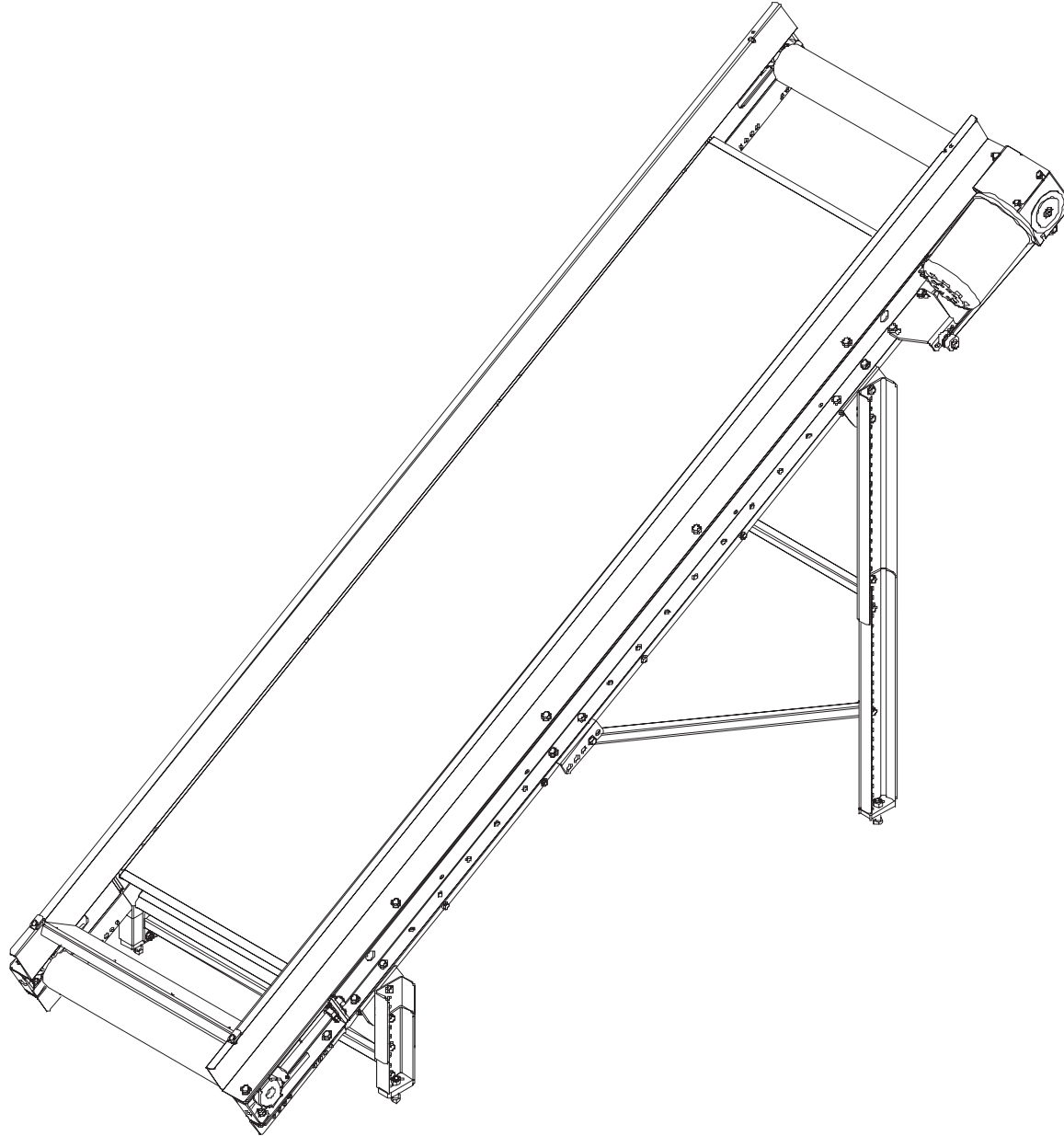


**SECTION VIII. PARTS LISTS AND 3-D DRAWINGS**

## RMC CONVEYOR - ASSEMBLED VIEW

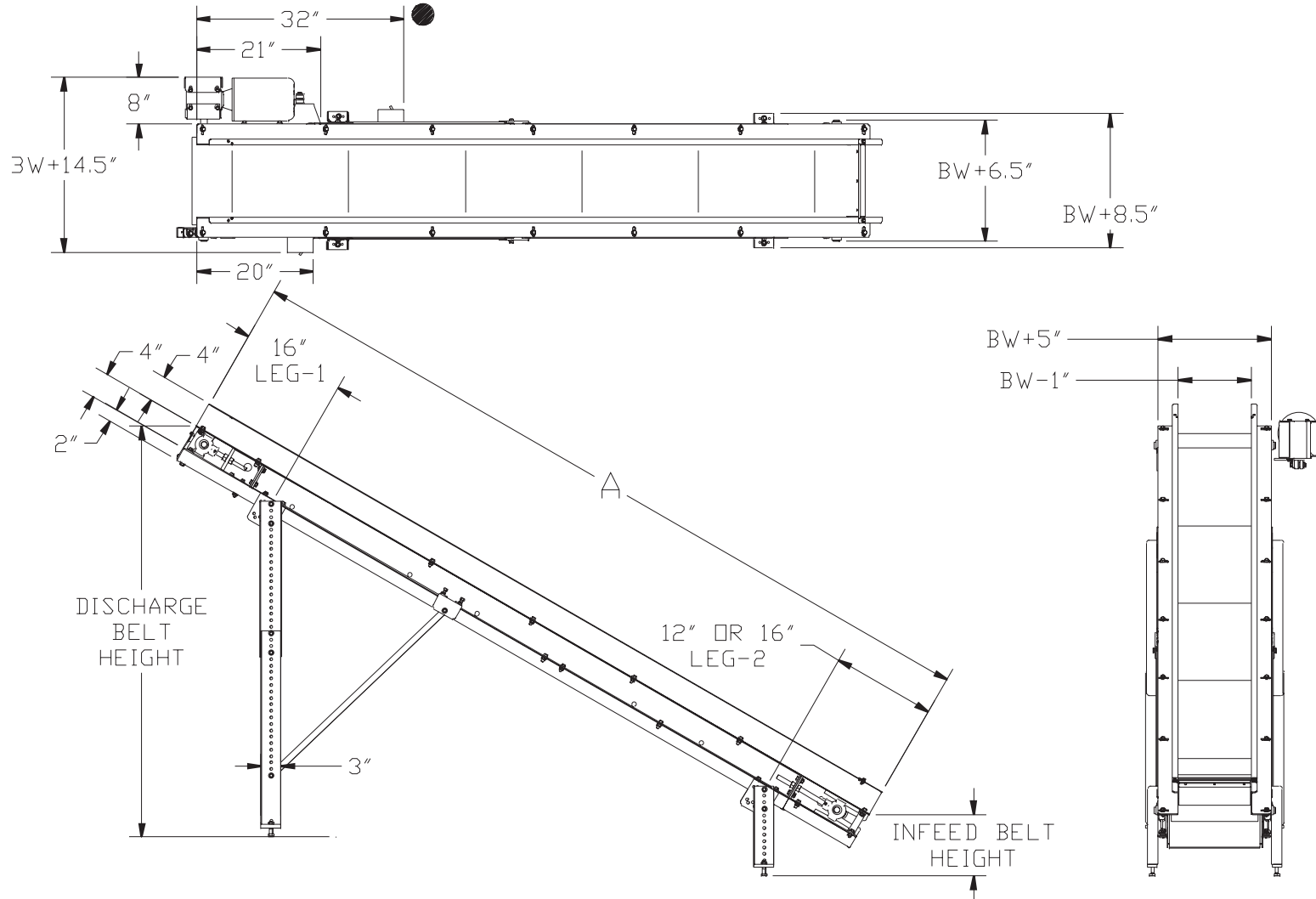


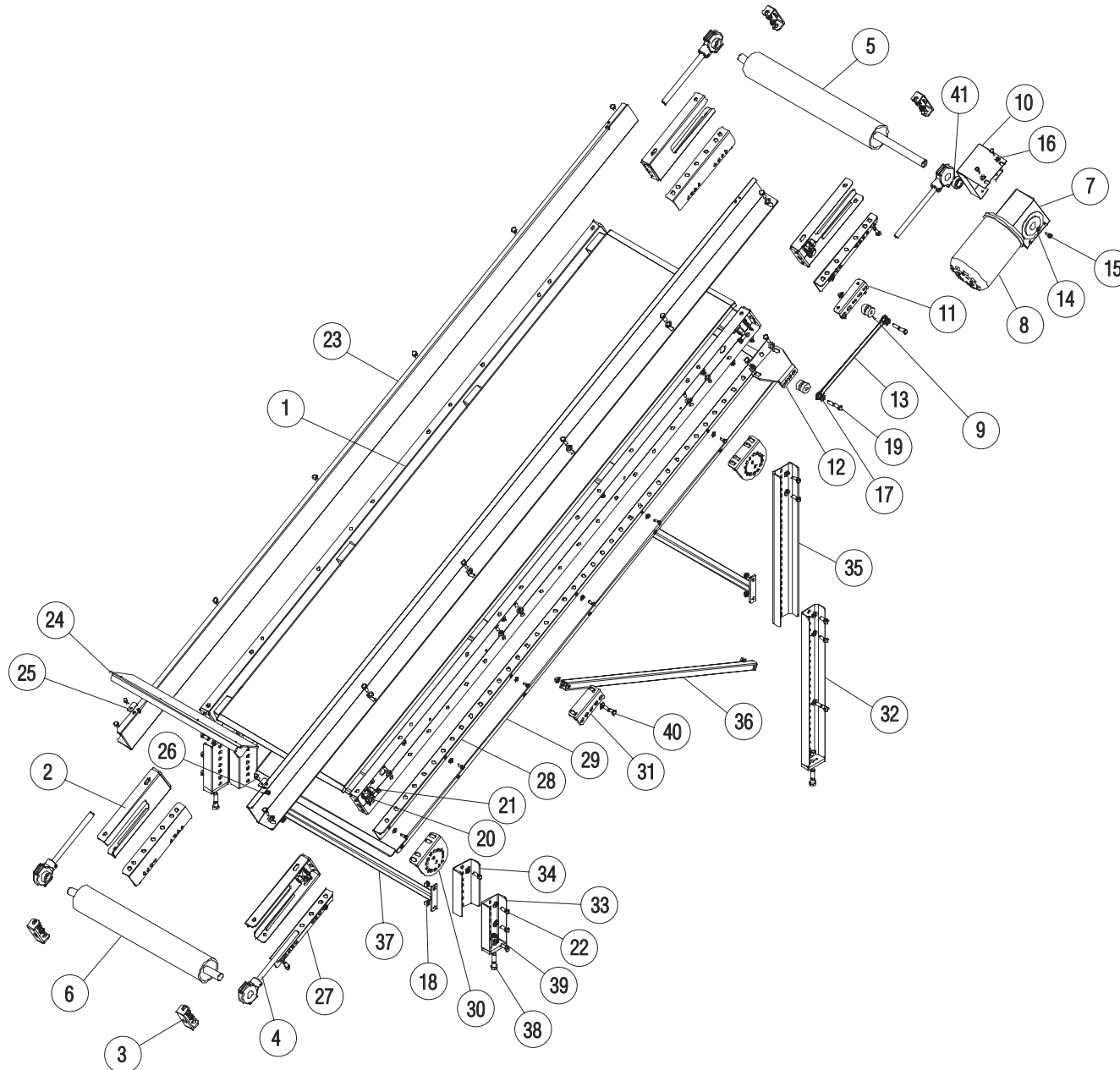
# SECTION VIII. PARTS LISTS AND 3-D DRAWINGS

## RMC CONVEYOR - CATALOG VIEW

BW = Belt width

- Standard starter position (specify if other location).



**SECTION VIII. PARTS LISTS AND 3-D DRAWINGS****RMC CONVEYOR - EXPLODED VIEW**

## SECTION VIII. PARTS LISTS AND 3-D DRAWINGS

### RMC DV CONVEYOR PARTS LIST

ITEM	QTY	PART DESCRIPTION
1	1	FRAME ASSY
2	2	TAIL ASSY
3	4	END BRACKET
4	4	BEARING TAKE-UP
5	1	DRIVE PULLEY
6	1	TAIL PULLEY
7	1	REDUCER
8	1	MOTOR
9	2	UNIVERSAL MOUNT
10	1	GUARD
11	1	BRACKET
12	1	BRACKET
13	1	REACTION ROD
14	1	1/4 WASHER
15	1	1/4-20 BOLT
16	2	1/4 WASHER
17	2	3/8 WASHER
18	70	3/8-16 NUT
19	2	3/8-16 BOLT
20	70	3/8 WASHER

ITEM	QTY	PART DESCRIPTION
21	40	3/8-16 BOLT
22	40	3/8-16 BOLT
23	2	RAIL
24	1	FLAPPER
25	2	FLAPPER CLIP
26	2	1/4-20 NUT
27	2	BOTTOM RAIL
28	2	BOTTOM RAIL
29	1	BOTTOM TRAY
30	4	LEG BRACKET
31	4	KNEE BRACE BRACKET
32	2	LEG
33	2	LEG
34	2	LEG EXTENSION
35	2	LEG EXTENSION
36	4	KNEE BRACE
38	4	1/2-13 BOLT
39	4	1/2-13 NUT
40	4	3/18-16 BOLT
41	1	LOCKING COLLAR