

2-jaw non-selfcentering angular pneumatic sprue gripper series BB

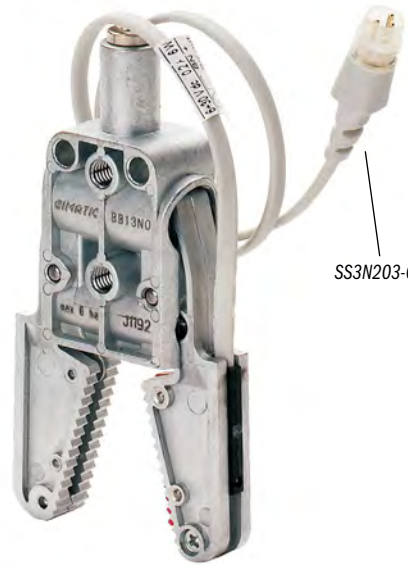
- BB-12-00 double-acting.
- BB-12-NO normally open.
- BB-13-NO normally open with sensor.
- Housing and jaws die-casted in zinc alloy (zamak).
- Flat profile.
- Two fastening options.
- Food grade grease FDA-H1.



BB-12-00



BB-12-NO



SS3N203-G (*)

BB-13-NO

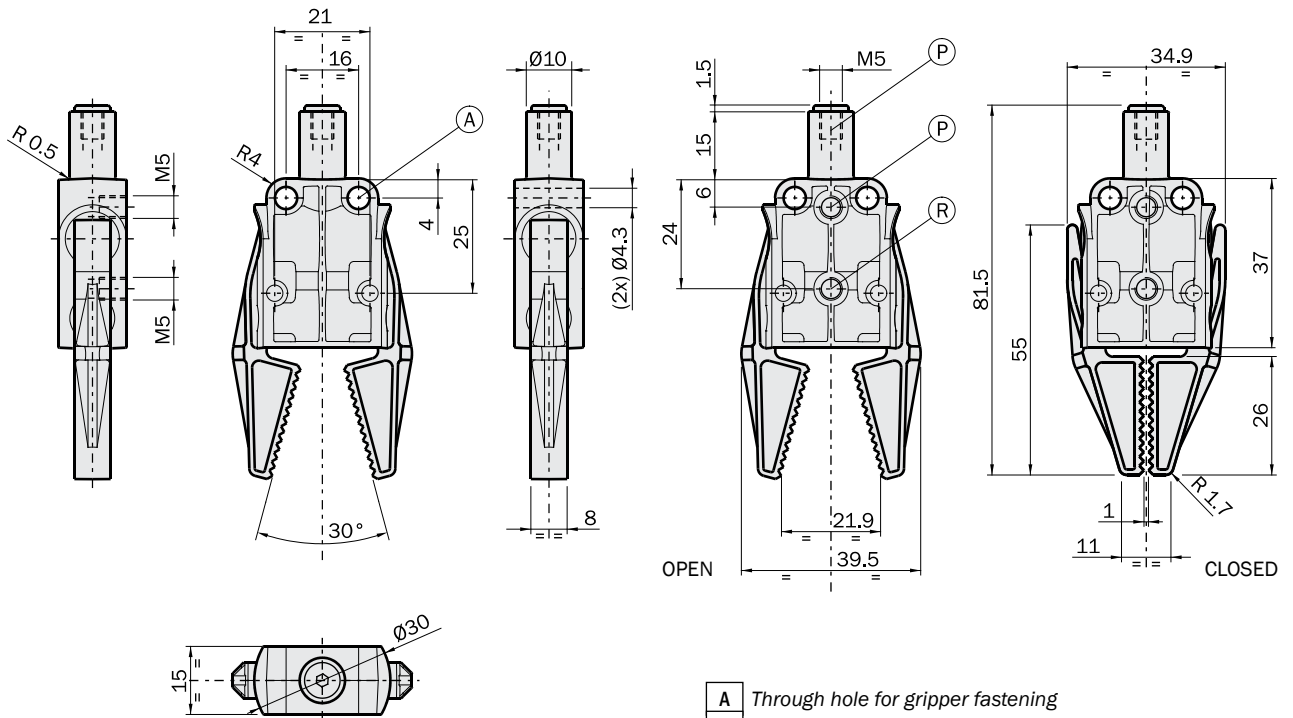
(*)
The sensor SS3N203-G is included.

	BB-13-00	BB-12-NO	BB-13-NO
Price	\$99.00	\$89.00	\$99.00
Medium	Filtered, lubricated / non lubricated compressed air		
Pressure range	36-116 psi		
Temperature range	41-140°F		
Stroke (±2°)	2 x 15°		
Closing gripping torque at 87 psi each jaw	5.7 lb-in	5.3 lb-in	5.3 lb-in
Opening gripping torque at 87 psi each jaw	20 Ncm	-	-
Opening gripping torque at 0 psi each jaw	-	0.44 lb-in	0.44 lb-in
Maximum working frequency	3 Hz	3 Hz	3 Hz
Cycle air consumption	1.5 cm ³	1.1 cm ³	1.1 cm ³
Closing time without load	0.01 s	0.01 s	0.01 s
Weight	75 g	77 g	90 g

Dimensions (mm)

BB-12-00

BB-12-NO

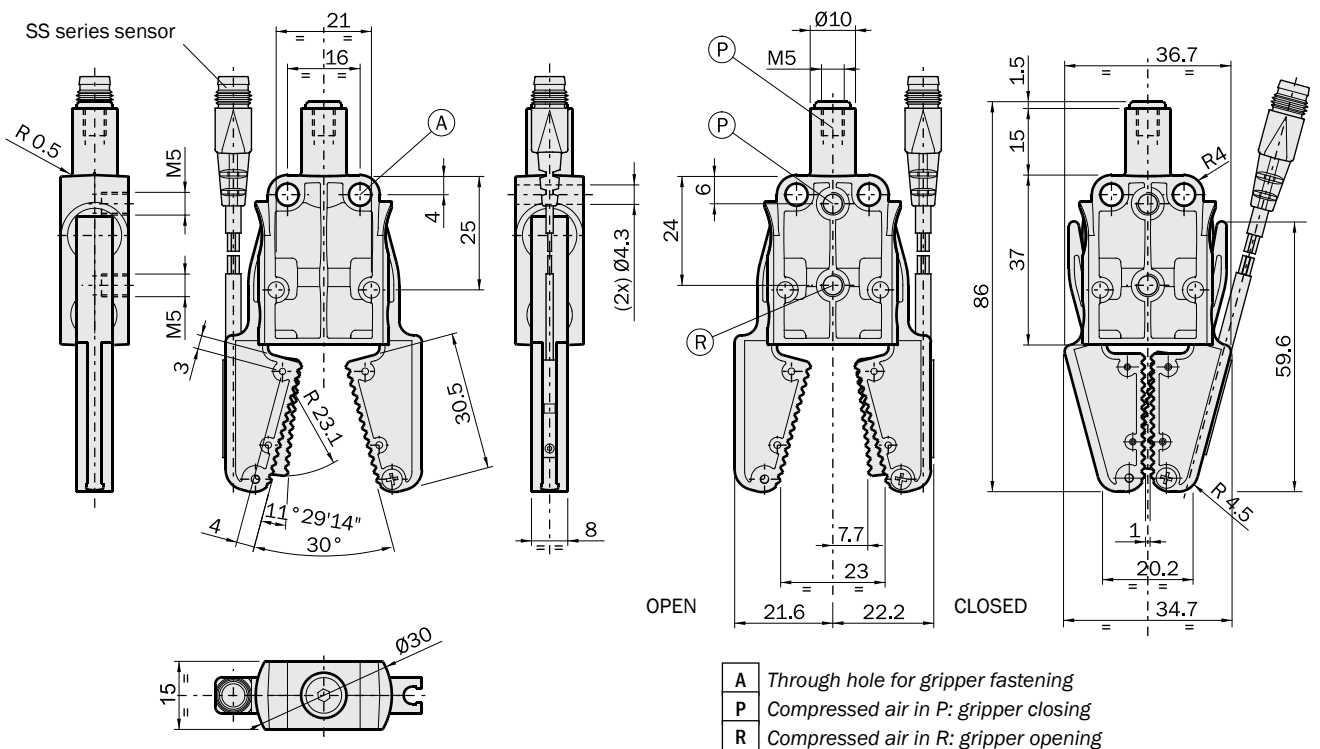


- A** Through hole for gripper fastening
- P** Compressed air in P: gripper closing
- R** Compressed air in R: gripper opening

FIRST ANGLE PROJECTION

Dimensions (mm)

BB-13-NO



- A** Through hole for gripper fastening
- P** Compressed air in P: gripper closing
- R** Compressed air in R: gripper opening

FIRST ANGLE PROJECTION