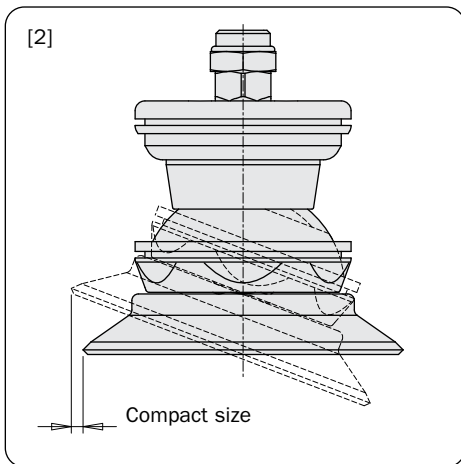
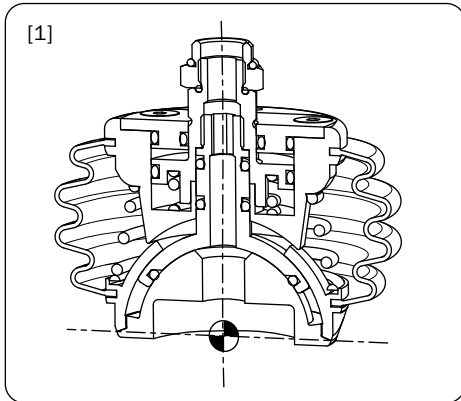


Ball joint for vacuum cups, with brake

- Pneumatically-driven device for joint lock (-NO) or unlock (-NC).
- Patented design with rotation fulcrum very close to the cup plane [1].
- Small side displacement on rotation [2].
- Minimal slide of the vacuum cup upon picking-up.
- FDA-H1 food-grade grease.
- Pressure range: -14 – 116 psi.
- Two sizes available.



VAB18...



VAB14...

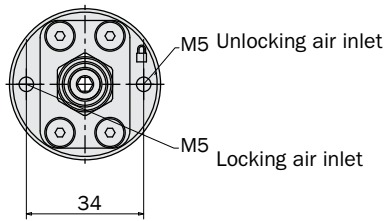
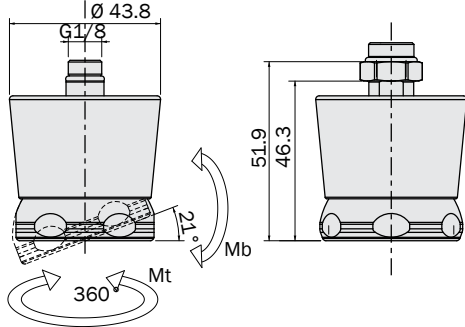
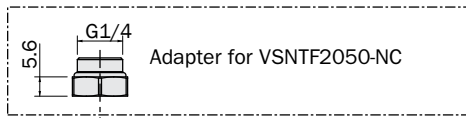
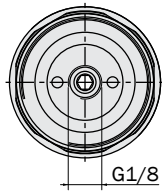
NEW

NEW

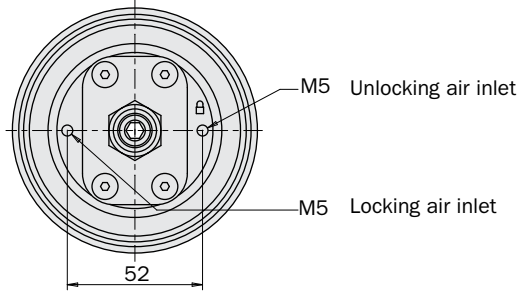
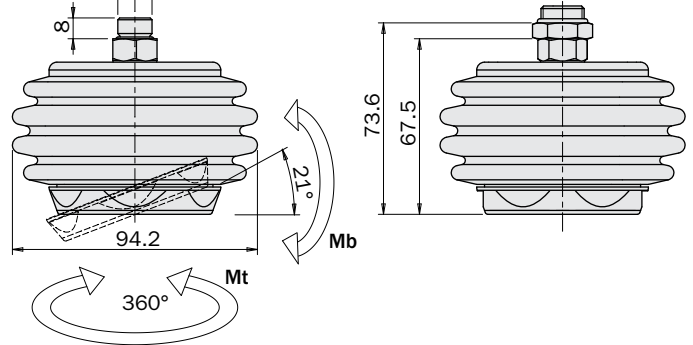
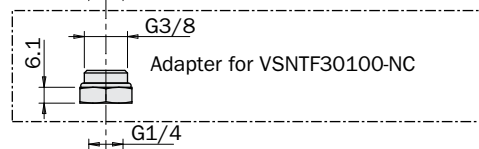
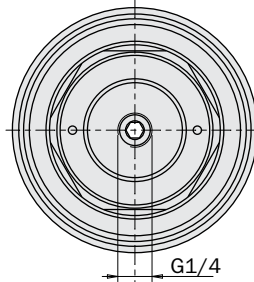
		VAB18M18F-NC	VAB14M14F-NC	VAB18M18F-NO	VAB14M14F-NO
Fluid for lock / unlock		Filtered, lubricated / non lubricated compressed air			
Operating pressure range for lock	P1	0 - 116 psi	0 - 116 psi	14.5 - 116 psi	14.5 - 116 psi
Operating pressure range for unlock	P2	58 - 116 psi	43 - 116 psi	0 - 116 psi	0 - 116 psi
Air consumption to locking		0 cm ³	0 cm ³	2.7 cm ³	4.3 cm ³
Air consumption to unlocking		0.4 cm ³	4.8 cm ³	0 cm ³	0 - 4.8 cm ³
Pressure through the supply duct		-14.5 - 116 psi			
Operating temperature range		41 - 140° F			
Stroke		± 21°			
Brake torque	Mb	1 Nm + 0.25 Nm x P1	1.5Nm + 0.7Nm x P1	0.25 Nm x P1	0.7Nm x P1
Brake torque	Mt	0.8 Nm + 0.2 Nm x P1	1.1Nm + 0.5Nm x P1	0.2 Nm x P1	0.5Nm x P1
Weight		152 g	420 g	147 g	410 g
Price		\$429.00	\$519.00	\$429.00	\$519.00

Dimensions (mm)

VAB18...



VAB14...



Application example

