

Digital Fiber Optic Sensors - Amplifiers

- Up to 16 sensors can be powered using 1 main amplifier plus 15 sub amplifiers.
- Amplifiers can be mounted to electrical units using DIN rail.

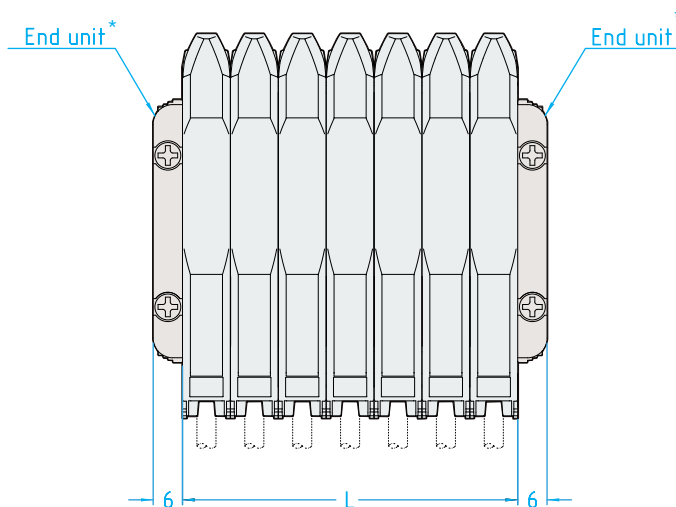


Amplifier

Quick#	Part#	Description	Control Outputs	External Input	Price
2698	FS-N11N	Main Amplifier - NPN Output	1	0	\$169.00
2699	FS-N11P	Main Amplifier - PNP Output			\$169.00
2700	FS-N12N	Sub Amplifier - NPN Output			\$169.00
2701	FS-N12P	Sub Amplifier - PNP Output			\$169.00
Optional - Mounting					
2704	OP-26751	End Unit	Sold in Pairs		\$7.70
5073	EL-704W	DIN Rail	1m		\$18.92

Dimensions when several units are connected (typical configuration)

*End units must be used when several units are connected.



No. of Units	L (mm)
1	9.8
2	19.6
3	29.4
4	39.2
5	49.0
6	58.8
7	68.6
8	78.4
9	88.2
10	98.0
11	107.8
12	117.6
13	127.4
14	137.2
15	147.0
16	156.8
17	166.6