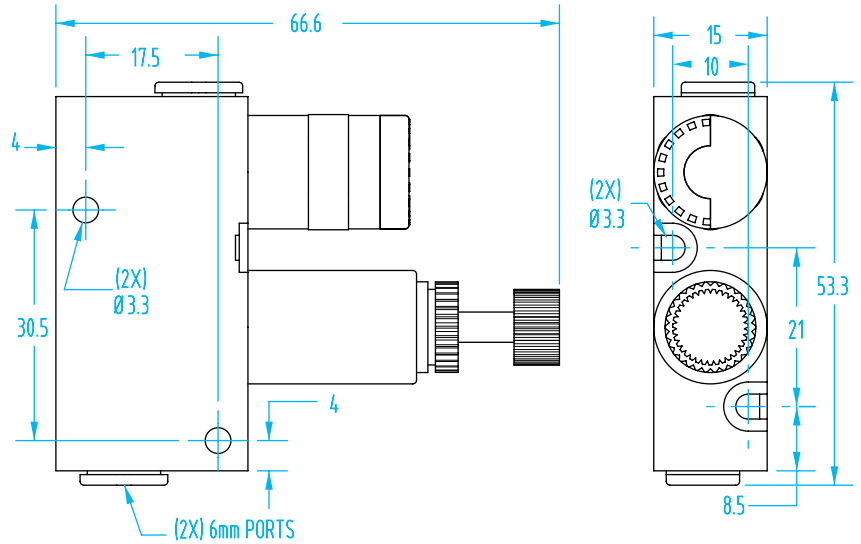
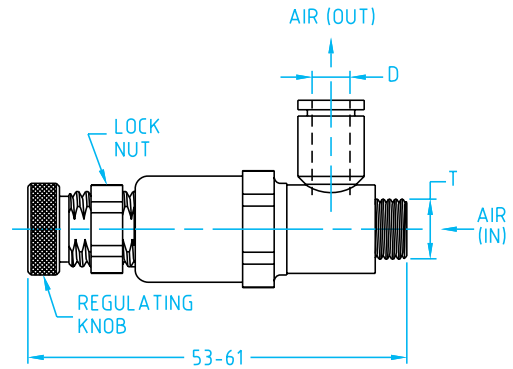


Pressure Regulators



Pressure Regulator (with analog pressure indicator)

Quick#	Part#	Pressure Range	Wt.	Price
2491	GSF-LRMA-QS-6	15-116psi	47g	\$102.49
Bracket for Pressure Regulator				
2570	GSC-PRMB-3850		24g	\$4.35



Pressure Regulators (with set-point reference marks)

Quick#	Part#	Thread	ØD	Price
1468	GSF-PR-G804	G1/8"	4	\$43.70
1469	GSF-PR-G806	G1/8"	6	\$47.30
1470	GSF-PR-G406	G1/4"	6	\$47.30
1471	GSF-PR-G808	G1/8"	8	\$49.85
1472	GSF-PR-G408	G1/4"	8	\$49.85

Use Quick#s for easy online ordering.



Miniature Pressure Regulators (no pressure gradation marks)

Quick#	Part#	Thread	ØD	Price
1231	GSF-GPR-G806	G1/8"	6	\$37.60
1232	GSF-GPR-G406	G1/4"	6	\$35.42
1233	GSF-GPR-G408	G1/4"	8	\$40.28
1234	GSF-GPR-06	-	6	\$37.02
1235	GSF-GPR-08	-	8	\$38.86