

## Soft Polyurethane Tubing

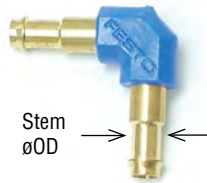
(Shown Actual Size)

### Soft Polyurethane Tubing for use with Barbed Fittings



#### Application Guide

Use Soft Polyurethane tubing with barbed fittings. Soft PU tubing's extra elasticity provides a snug fit against the barb stem.



#### Application for Soft Polyurethane Tubing

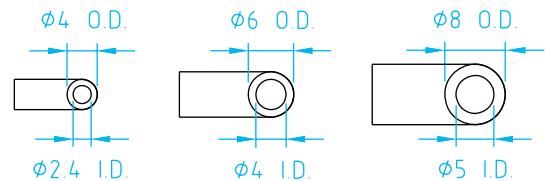
Stem øOD range	Soft PU øID	Soft PU øOD
2.5–3.0	2.4	4
3.8–4.6	4	6
5.5–6.4	5	8

**Note:** Using soft polyurethane tubing with push-in fittings gives unacceptable results.

#### Soft Polyurethane Tube for Barbed Fittings - Sold in 25' Coils

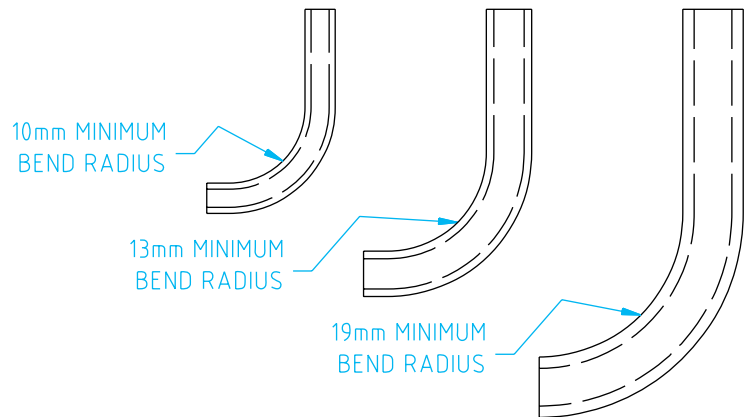
Quick#	Part#	øOD	øID	Color	Min. Radius	Price
951	GSU-SC-0424	4	2.4	Clear	10mm	\$30.63
952	GSU-SC-0604	6	4	Clear	13mm	\$33.00
953	GSU-SC-0805	8	5	Clear	19mm	\$54.30
954	GSU-SB-0424	4	2.4	Blue	10mm	\$30.63
955	GSU-SB-0604	6	4	Blue	13mm	\$33.00
956	GSU-SB-0805	8	5	Blue	19mm	\$54.30

Blue tubing is translucent with blue tint.



#### Suggestion

To help reduce the likelihood of misconnecting vacuum lines with compressed air lines, consider standardizing your tubing color scheme. Use clear tubing for vacuum circuits, and blue tubing for compressed air circuits.



#### Super Flexible Silicone Tube for Barbed Fittings - Sold in 25' Coils

Quick#	Part#	øOD	øID	Color	Min. Radius	Price
950	GSU-SI-627	6	2.7	Clear	8mm	\$17.54

Note: Using super flexible silicone tubing with push-in fittings gives unacceptable results.

Note: When using the Super Flexible Tube, although the OD is 6mm, the ID is only 2.7mm and so you must choose a barbed fitting which will fit appropriately (this is the barbed fitting size used with 4mm soft tubing).

